

RING PENDANT



Project Name: _____

Fixture Type: _____

Product Code: D8-1177

Style: Pendant

Structure: Metal

Finish: Polished Stainless Steel

Max Watt: 1 x 150W

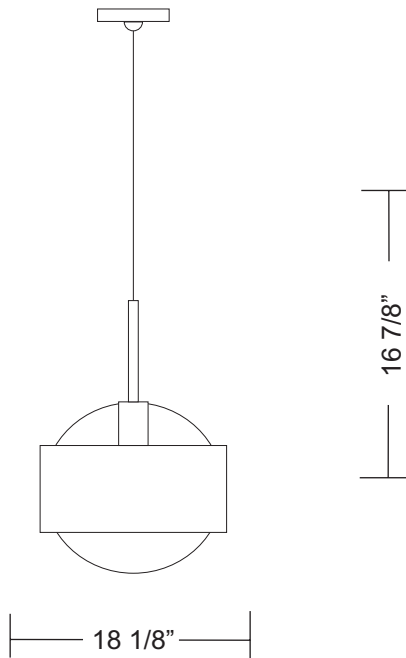
Lamp/Ballast: G40 Medium

Dimensions: D. 18 1/8" x Ht. 16 7/8"

Approval: Approved by  for North American Standards..

Notes: _____

Dimensions



STANDARD: COMES WITH 5 FEET OF WIRE AND AIRCRAFT CABLE