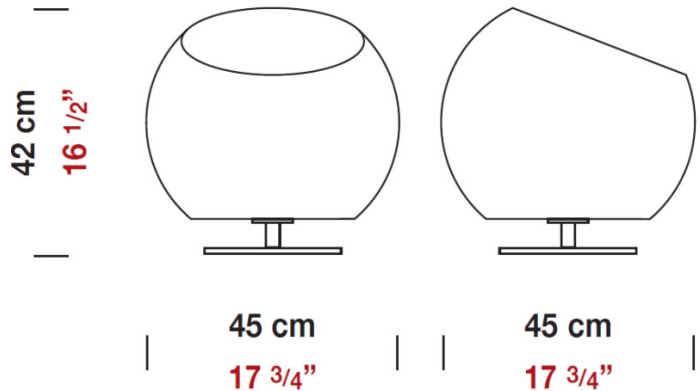


Date: _____

Project: _____

Fixture Type: _____

Specifier/Rep: _____

 Certified by  for North American Standard

APPLICATION:

Portable

CONSTRUCTION:
Fixture Material:

Not available

Fixture Finish:

Nickel

Max. Overall Height:

Not available

Other Available Size/Lamp/Finish Options

No Option

Component Requirement:

Complete Unit, no component required

ELECTRICAL:
Lamp Category:

Incandescent

Power Supply

Not available

Lamp Type:

T10

Lamp Base:

E26 medium

Number of Lamps:

1

Voltage: 120

(277v or 347v available upon request)

Max Wattage per Lamp:

150

Emergency: Not available

IP RATING:

IP20

OPTICS:
Diffusor Material:

Blown Glass

Diffusor Finish:

Matte White

Reflector:

Not available

Efficiency:

Not available

NOTES:

68 cm