



JOB: _____

LOCATION: _____

DATE: _____

PRODUCT SPECIFICATIONS

STYLE # D8-9013

SERIES NAME: ACCESSORY

CATEGORY: White Pendant Track

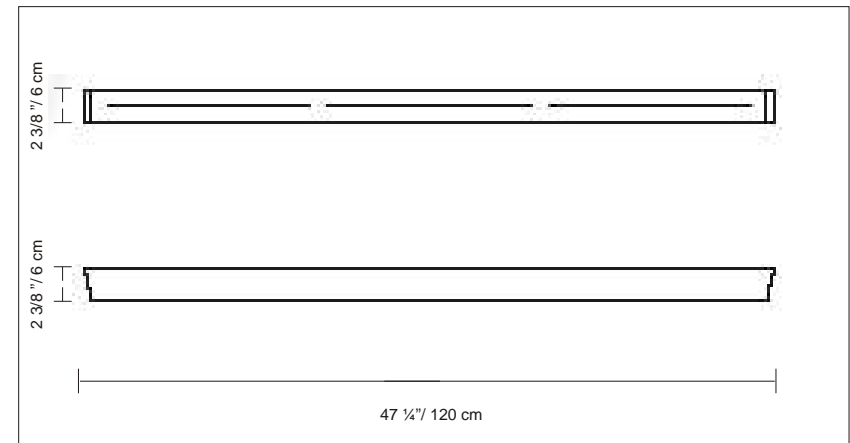
COLOR / FINISH: White

LAMP TYPE: NOT APPLICABLE

MAX WATT: NOT APPLICABLE

DIMENSIONS: L. 47 1/4" x W. 2 3/8" x Ht. 2 3/8"

APPROVALS: Approved by CSA for
North American Standards.



NOTES: _____