



PROJECT: _____

LOCATION: _____

DATE: _____

PRODUCT SPECIFICATIONS

STYLE # D8-1156

SERIES NAME: RIMMEL

FIXTURE LOCATION: Pendant

STRUCTURE: Metal

COLOR /FINISH: Chrome

DIFFUSER: Frosted White Glass

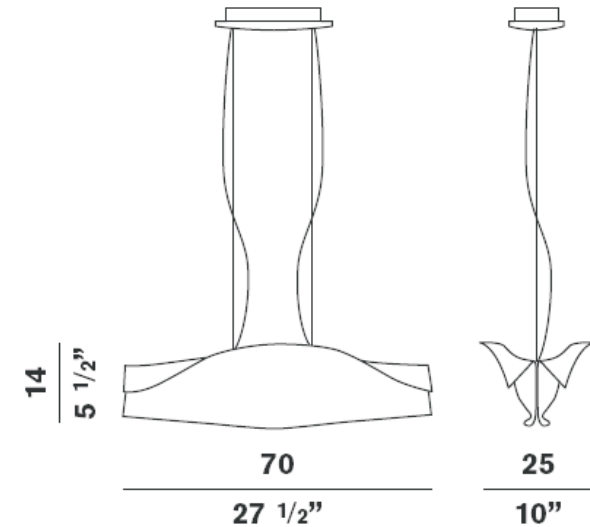
LAMP / BALLAST: T3Q/3 (119mm) Halogen

MAX WATT: 1 x 200W

DIMENSIONS: L. 27 1/2" x Ht. 5 1/2" x W. 10"

APPROVALS:

Approved by  for North American Standards.



NOTES: _____