

**RING PENDANT**



**Project Name:** \_\_\_\_\_

**Fixture Type:** \_\_\_\_\_

**Product Code:** D8-1176

**Style:** Pendant

**Structure:** Metal

**Finish:** Polished Stainless Steel

**Max Watt:** 1 x 100W

**Lamp/Ballast:** G30 Medium

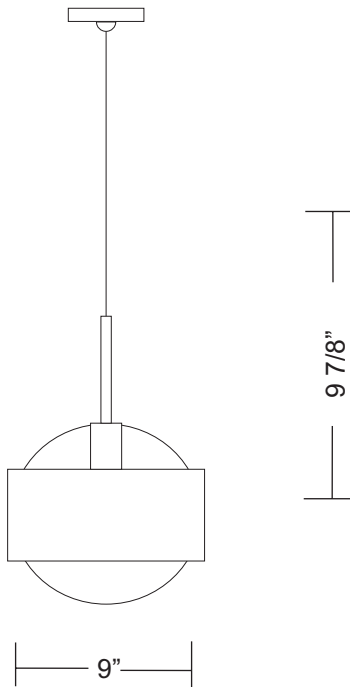
**Dimensions:** D. 9" x Ht. 9 7/8"

**Approval:** Approved by  for North American Standards..

**Notes:** \_\_\_\_\_

\_\_\_\_\_  
\_\_\_\_\_  
\_\_\_\_\_  
\_\_\_\_\_  
\_\_\_\_\_

Dimensions



STANDARD: COMES WITH 5 FEET OF WIRE AND AIRCRAFT CABLE