



PROJECT: \_\_\_\_\_

LOCATION: \_\_\_\_\_

DATE: \_\_\_\_\_

## PRODUCT SPECIFICATIONS

STYLE #: **D9-3085**

SERIES NAME: LINEA

CATEGORY: Wall Sconce

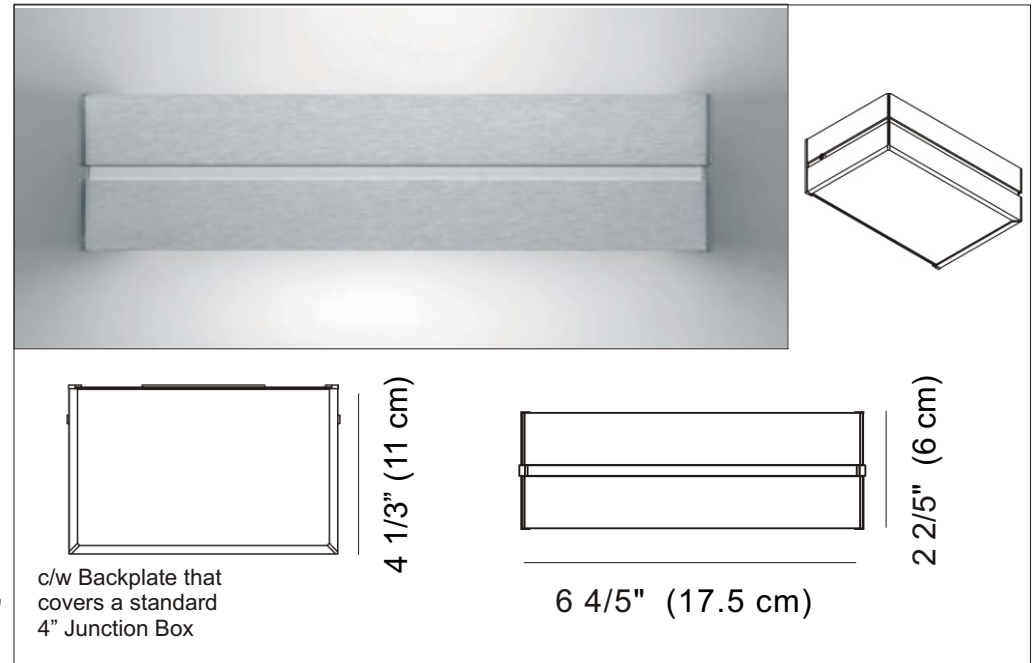
COLOR /FINISH: Brushed Aluminum

DIFFUSER: Frost White Glass

LAMP: Halogen T3Q/3 (79mm) 120V

MAX WATT: 1 x 100W

DIMENSIONS: L. 6 4/5" x Ht. 2 2/5" x Ext. 4 1/3"  
Backplate: L. 4 1/4" x W. 4 1/4"



APPROVALS:

Approved by  for North American Standards.

NOTES: \_\_\_\_\_