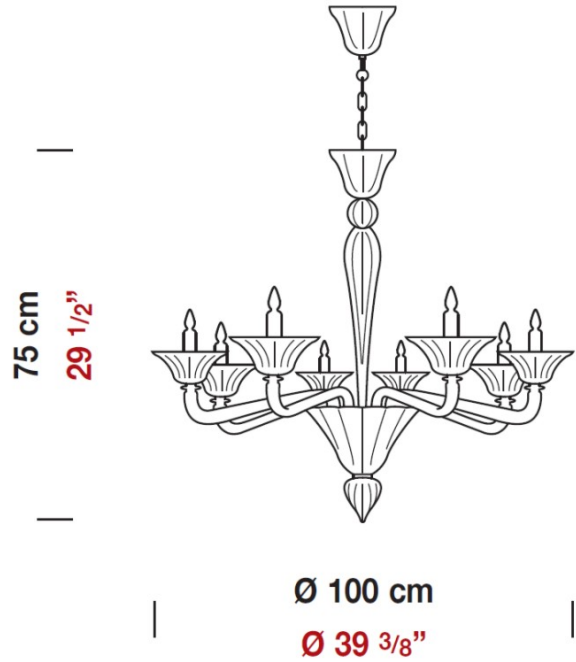
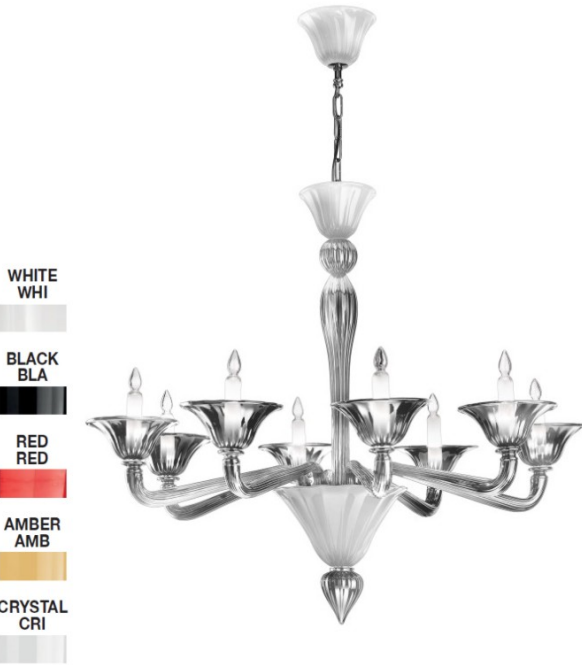


Date: \_\_\_\_\_ Project: \_\_\_\_\_

Fixture Type: \_\_\_\_\_ Specifier/Rep: \_\_\_\_\_


 Certified by  North American Standards

Exact Measurements: Metric

<b>Nominal Lumen:</b>	5200 lm
<b>Fixture Finish:</b>	Chrome
<b>Diffuser:</b>	Crystal Blown Glass
<b>Lamp Type:</b>	T4 Halogen
<b>Lamp Base:</b>	G9
<b>Lamp Voltage:</b>	120Vac
<b>Number Of Lamps:</b>	8
<b>Max Wattage Per Lamp:</b>	35W
<b>Total Wattage:</b>	280W
<b>IP Rating:</b>	IP20
<b>Diameter:</b>	105cm / 41 3/8"
<b>Height:</b>	75cm / 29 1/2"

**Additional Details**
**Available Sizes and / or Lamping**

Puskin - Suspension [D8-1322] -- 85cm / 33 1/2" - 6x35W - T4 Halogen - Chrome - Crystal

**Alternative Finish Models**

Puskin - Suspension [D8-1323] -- 105cm / 41 3/8" - 8x35W - T4 Halogen - Chrome - White

Puskin - Suspension [D8-1324] -- 105cm / 41 3/8" - 8x35W - T4 Halogen - Chrome - Black

Puskin - Suspension [D8-1325] -- 105cm / 41 3/8" - 8x35W - T4 Halogen - Chrome - Red

Puskin - Suspension [D8-1326] -- 105cm / 41 3/8" - 8x35W - T4 Halogen - Chrome - Amber

**Coordinating Series**

Puskin - Suspension



**Puskin - Suspension**  
Model No: **D8-1327**

**Date:** \_\_\_\_\_ **Project:** \_\_\_\_\_  
**Fixture Type:** \_\_\_\_\_ **Specifier/Rep:** \_\_\_\_\_

Puskin - Wall