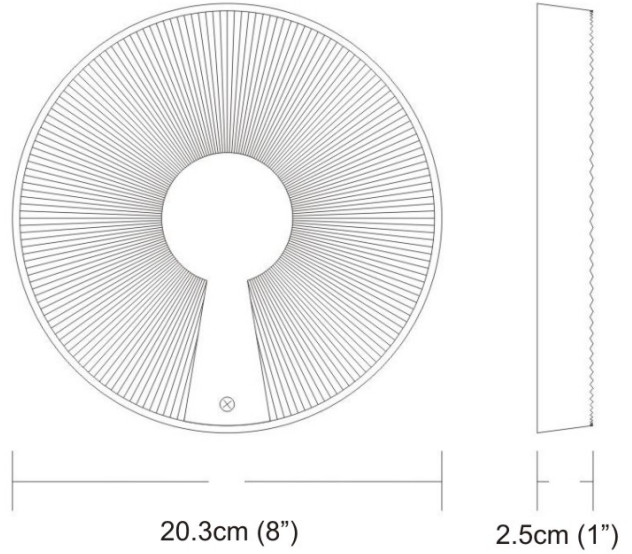


Date: _____ Project: _____
 Fixture Type: _____ Specifier/Rep: _____


 Certified by  North American Standards

Exact Measurements: Metric

Fixture Finish:	Metallic Gray
Lamp Type:	T4 Halogen
Lamp Base:	G9
Lamp Voltage:	120Vac
Number Of Lamps:	1
Max Wattage Per Lamp:	35W
Diameter:	20.3cm / 8"
Height:	20.3cm / 8"
Extension:	2.5 cm / 1"
Weight:	1.8 lbs / 0.82 kg

Additional Details