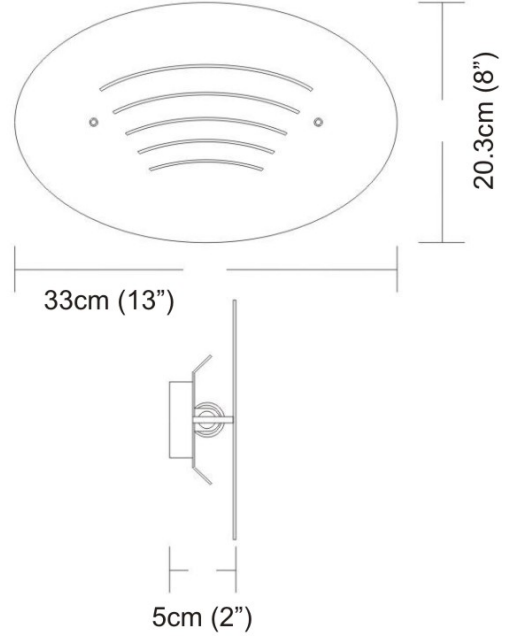


Date: _____ Project: _____

Fixture Type: _____ Specifier/Rep: _____


 Certified by  North American Standards

Exact Measurements: Metric

Quick Ship:	Yes
Fixture Finish:	Brushed Aluminum
Lamp Type:	T3Q (119mm) Halogen
Lamp Base:	RSC (double ended)
Lamp Voltage:	120Vac
Number Of Lamps:	1
Max Wattage Per Lamp:	200W
Length:	33cm / 13"
Height:	20.3cm / 8"
Extension:	5cm / 2"
Weight:	1.98 lbs / 0.899 kg
End of Line:	Yes

Additional Details
 Ships within 2-5 business days.

Available Sizes and / or Lamping

Oval - Wall [D9-3028] -- 33cm / 13" x 5cm / 2" - 1x200W - T3Q (119mm) Halogen - Brushed Aluminum