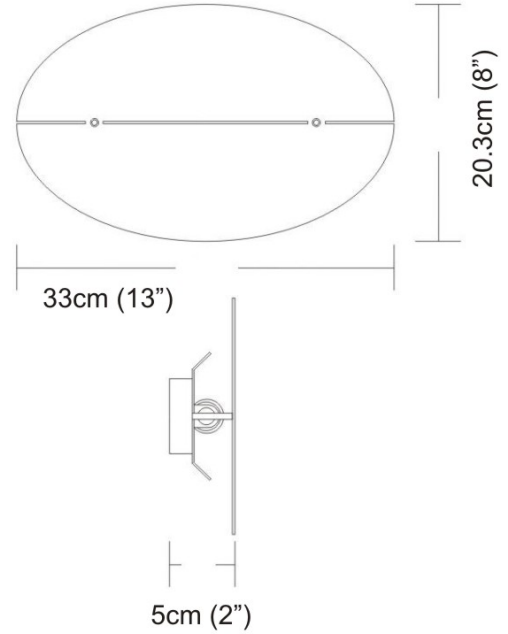
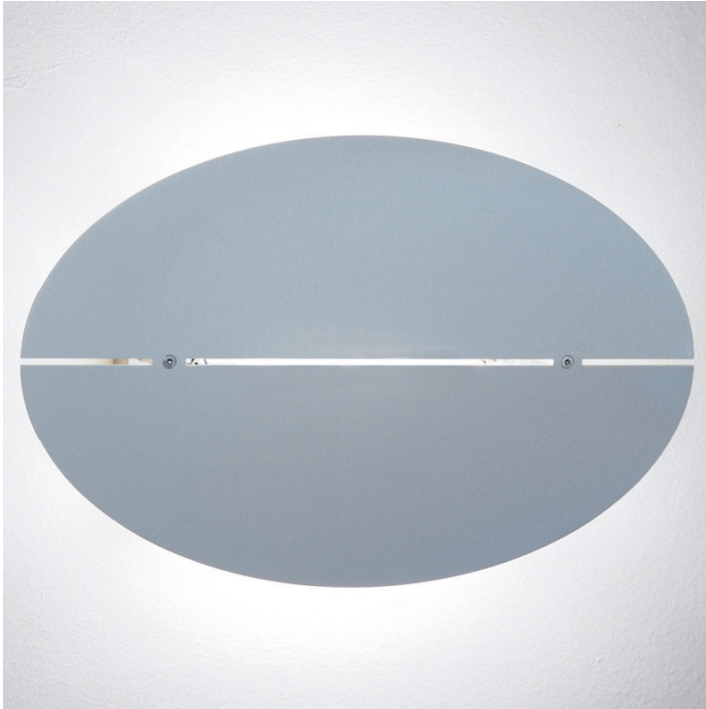


Date: \_\_\_\_\_ Project: \_\_\_\_\_

Fixture Type: \_\_\_\_\_ Specifier/Rep: \_\_\_\_\_


 Certified by  North American Standards

Exact Measurements: Metric

<b>Fixture Finish:</b>	Brushed Aluminum
<b>Lamp Type:</b>	T3Q (119mm) Halogen
<b>Lamp Base:</b>	RSC (double ended)
<b>Lamp Voltage:</b>	120Vac
<b>Number Of Lamps:</b>	1
<b>Max Wattage Per Lamp:</b>	200W
<b>Length:</b>	33cm / 13"
<b>Height:</b>	20.3cm / 8"
<b>Extension:</b>	5cm / 2"
<b>Weight:</b>	2.7 lbs / 1.23 kg
<b>End of Line:</b>	Yes

**Additional Details**
**Available Sizes and / or Lamping**

Oval - Wall [D9-3029] -- 33cm / 13" x 5cm / 2" - 1x200W - T3Q (119mm) Halogen - Brushed Aluminum