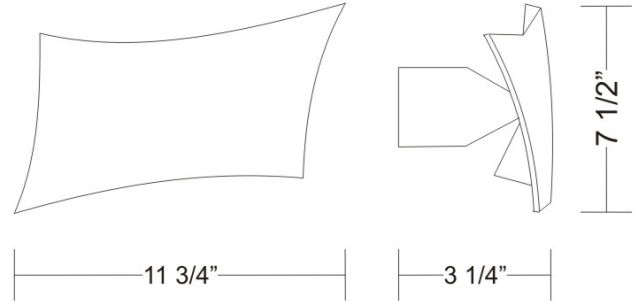
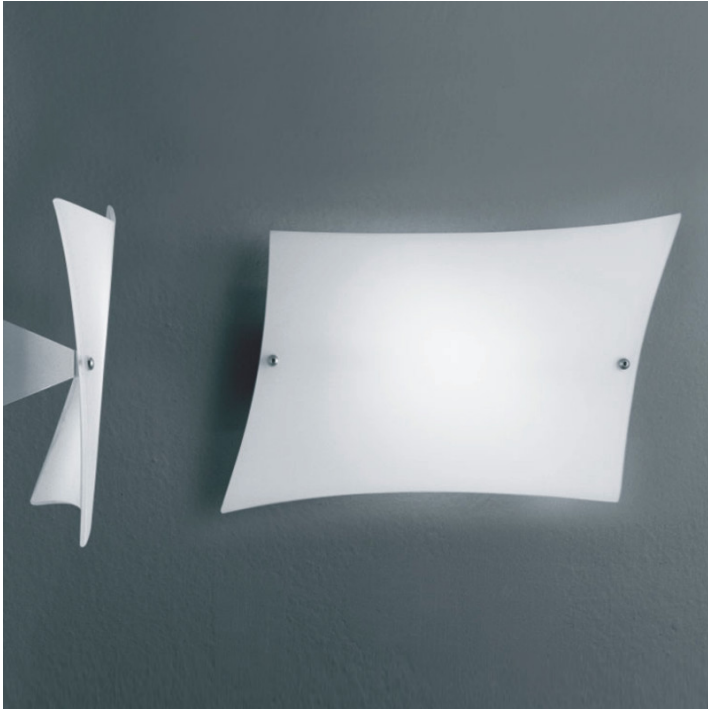


Date: _____ **Project:** _____

Fixture Type: _____ **Specifier/Rep:** _____

 Certified by  North American Standards

Exact Measurements: Metric

Fixture Finish:	Metalic Gray
Diffuser:	Matte White Blown Glass
Lamp Type:	T3Q (119mm) Halogen
Lamp Base:	RSC (double ended)
Lamp Voltage:	120Vac
Number Of Lamps:	1
Max Wattage Per Lamp:	150W
IP Rating:	IP20
Length:	29.8cm / 11 3/4"
Height:	19cm / 7 1/2"
Extension:	8.3cm / 3 1/4"
Weight:	2.7 lbs / 1.23 kg
End of Line:	Yes

Additional Details