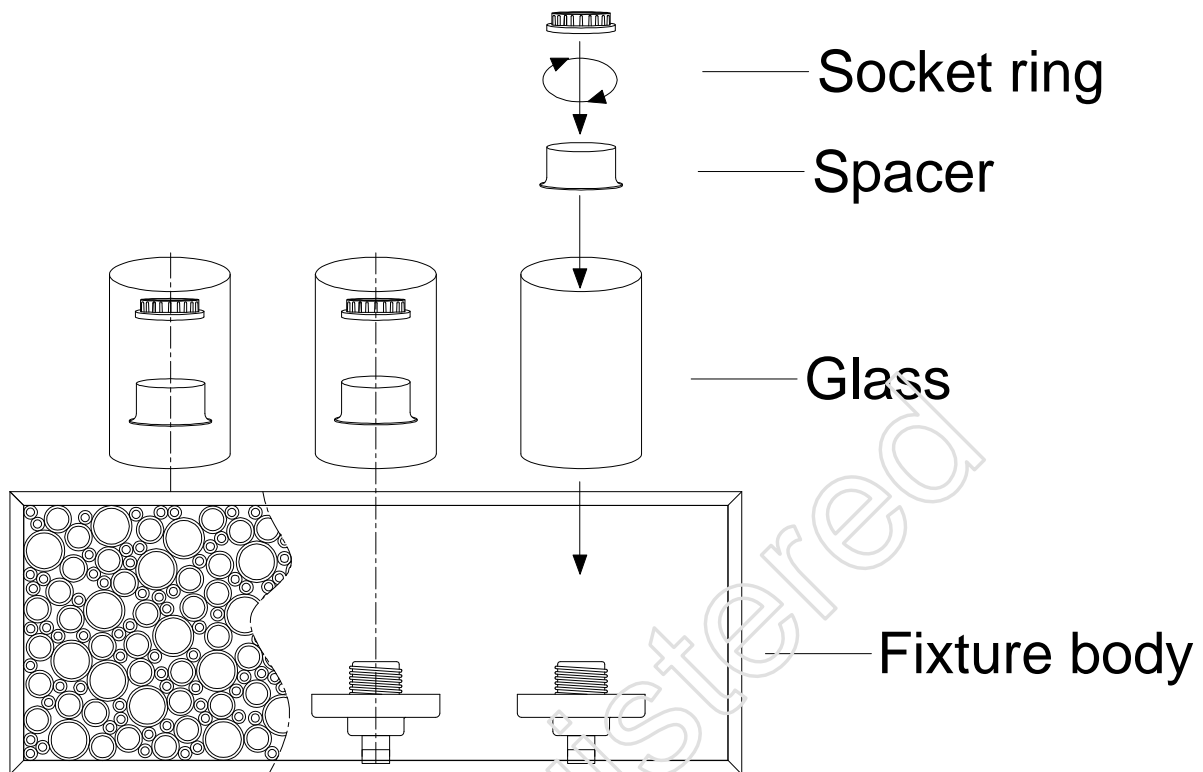




# ASSEMBLY INSTRUCTIONS FOR 39500/3



1. Before beginning the assembly, carefully unpack and identify all parts referring to the illustration.
2. Turn the power to the installation point **OFF**.
3. Referring to the wiring and installation instructions for the fixture body.
4. Place the glass and spacer over the socket and secure with the socket ring.
5. Install proper bulbs (not provided) to the socket referring to the markings and labels on fixture for maximum wattage.
6. Restore the power to the installation point **ON**. Retain this sheet for future reference.