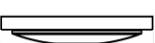

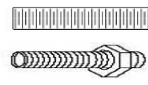

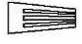

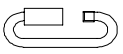


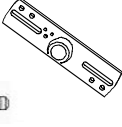








**Notice:** Please review the parts listing and check for all parts before assembling the fixture. If any parts are missing or damaged, please note on this sheet and contact the place of purchase to arrange for replacement parts.

## PARTS LIST

Company Name: \_\_\_\_\_ Co. Account #: \_\_\_\_\_  
to be filled out by retailer

Canopy	1ea 	Hex nut	2ea 	Nipple	2ea 
Chain	1ea 6ft 	Wire connectors	2ea 	Bottom cap	1ea 
Chain connector	2ea 	Mounting Screw	2ea 	Finial	1ea 
Mounting Strap w/ ground screw	1ea 	Canopy Loop and Canopy loop collar	1ea 	Crystal drops are not included in parts bag. They are already installed on the fixture.	
Crystal draping A3 x 3pcs 	Crystal drops B1 x 9pcs 	Crystal drop: B4 x 3pcs 	Crystal drops C1 x 3p 	Crystal drops D2 x 1pcs 	

Part Needed	_____	Quantity	_____
Part Needed	_____	Quantity	_____
Reason why	( missing, scratched, broken glass, bent, bad finish)		
Comments	_____		

### FIXTURE ASSEMBLY INSTRUCTIONS

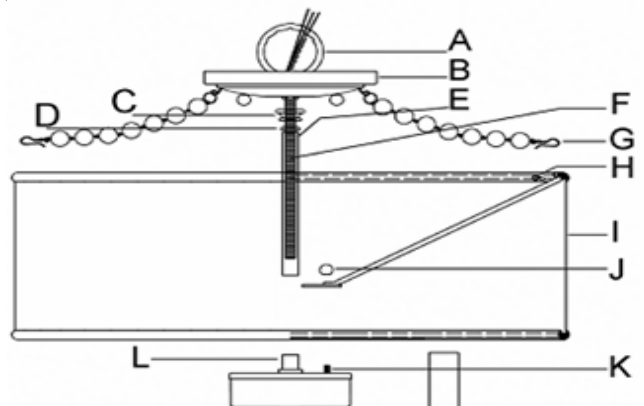
Read and review installation instruction sheet before assembling the fixture.

1. Feed the fixture wires through the long Threaded rod (F) and pull the wires until taut.
2. Slide the tube (E), tube lid (D), cup (C), long Threaded rod (F), Top cap (B), Top loop(A) down to housing of fixture.  
(Do not use Top loop (A) if installing as Semi flush.)
3. Screw Threaded rod (F) all the way into the coupler (L) at housing of fixture .

**NOTE: THE SHADE ASSEMBLY CAN BE DAMAGED BY ROUGH HANDLING. USE CARE WHEN ASSEMBLING.**

8981-SF BRI / GRM

Fig 1



# PARTS & ASSEMBLY SHEET

Fixture Name: Echelon 8981-SF BRI / GRM

\* NOTE: The Finial can be scratched or broken if the full weight of the fixture is placed on it. To avoid damage attach the Bottom Assembly parts after hanging the fixture.

4. Slide the center support of the Fabric shade(I) over center tube to the housing, it is open on one side for ease of assembly. Secure in place by tightening Cap nut (J) to Frame (K) with frame of shade between them (I).

5. Hang 3 crystal draping chain (G) to hook (H) of shade.

\* You may now install the fixture as semi-flush.

ASSEMBLING THE FIXTURE as Chain hung (Fig.3)

6. Remove the Circular strap from top of Fixture and replace the long mounting screws with two short screws to hold the Deco nuts (R) in place on the fixture Top cap (B).

7. Feed the fixture wires through the Top loop (A) and pull the wires until taut. Then screw the Top Loop ( A ) to the coupling on the Top cap (B) until tight.

8. By measuring determine correct number of links needed for proper hanging height. Use a pair of pliers to open one link of the Chain (A2) then remove the excess Chain (A2) and discard it.

9. Use one chain connector(A12) to attach one end of the chain to the Top loop (A) and close the chain connector.

10. Feed the fixture wires through the Chain (every three links) and pull the wires until taut.

11. Slip Canopy loop collar (A11) over the chain, then do the same with the canopy .

12. When ready to complete the installation Use the other chain connector and attach the other end of the chain to the canopy loop (A10) and close the chain connector.

13. Make sure the weight of the chandelier is supported by the chain-not the electrical wire.

\* You may now install the fixture.

Note: Complete these remaining steps after the fixture is hung.

14. Secure threaded nipple (P) to bushing(M) of housing and screw hex nut (N).

15. Place cap (O) over the threaded nipple (P).

16. Screw finial (Q) to threaded nipple (P). (N).

17. Install the light bulbs in accordance with the fixture's specifications.

(DO NOT EXCEED MAXIMUM WATTAGE RATING)

Fig 2

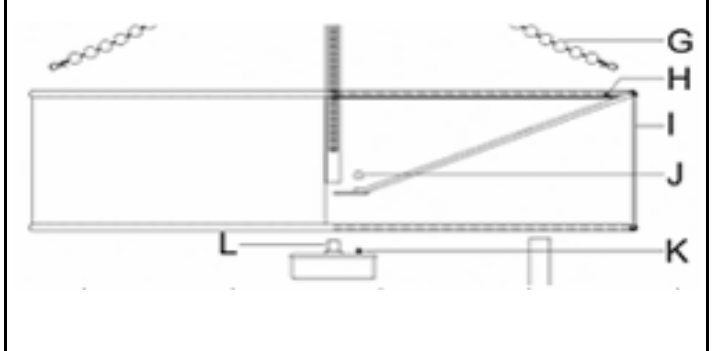


Fig 3

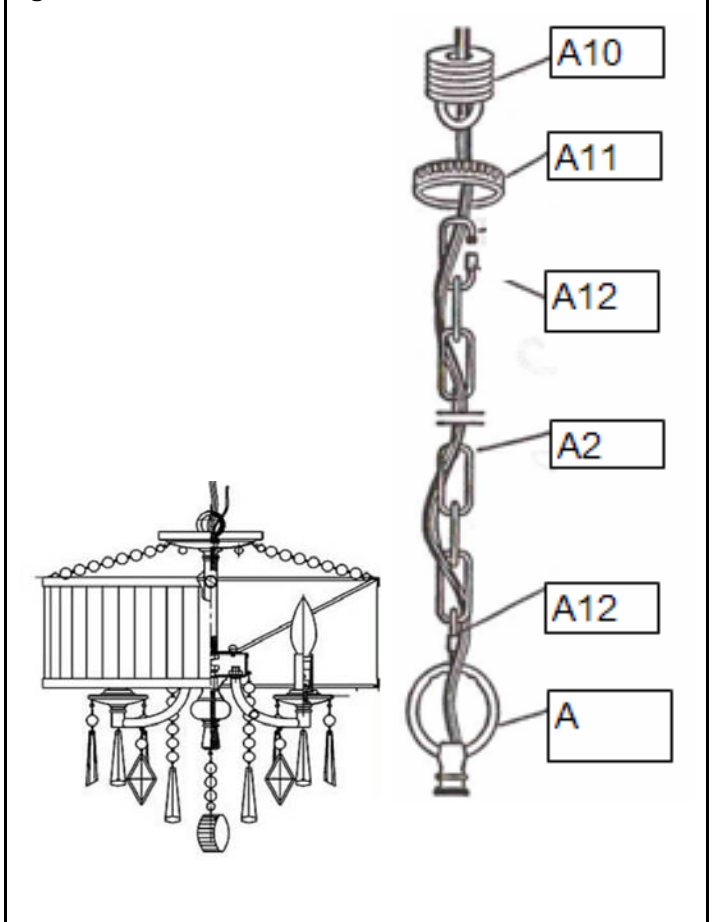
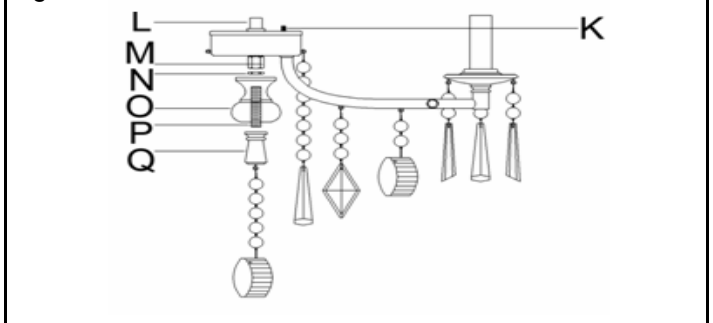


Fig 4



**WARNING ! SHUT OFF POWER AT FUSE OR CIRCUIT BREAKER.**

**HANGING THE FIXTURE as Semi flush (Fig. 1)**

1. Carefully remove the new fixture from the carton and the yellow bag that holds all your parts. Check that all parts are included as shown in the illustration and parts list.
2. Shut off power at the circuit breaker and remove the old fixture from ceiling, including the old mounting strap.
3. The Circular Strap ( A ) contains several pairs of threaded holes, find the pair of holes that match the hole spacing in your fixture Back Plate (D) and thread the two Mounting Screws (C) half way into the Mounting Strap (A) facing down, Secure in place with hex nuts. These will have their threaded ends protrude through the two holes in the fixture canopy(D).
4. Place the Mounting Strap ( A ) over the junction
5. Attach the Mounting Strap (A) to the Junction Box using the two mounting screws (B). Tighten the screws (B) securely with screw driver.

**CONNECTING THE WIRES (Fig 2)**

6. Attach the power supply wires to the fixture lead wires by connecting BLACK to BLACK (or SMOOTH) and WHITE to WHITE (or RIBBED).
  7. Attach the GROUND wire(GREEN or COPPER) from the Junction Box and the fixture Ground wire to the green Ground Screw on the Mounting Bracket (A) or connect both wires together using the correct size of wire connectors.
- NOTE: Twist the wires together in the same direction you twist the wire connector onto the wires.
8. Tuck these wire connections neatly into the Junction

**FINISHING THE INSALLATION (Fig.3)**

9. Place the fixture's canopy over the Mounting Strap (A) and over the Mounting Screws (C), adjust the fixture canopy (D) until the Mounting Screws (C) protrude out from the canopy (D) and secure the fixture against the ceiling by threading the decorative nuts(E) until tight.
10. Install the light bulbs and glass shade as per the fixture assembly sheet.

YOUR INSTALLATION IS NOW COMPLETE.  
RETURN POWER TO THE JUNCTION BOX AND TEST THE FIXTURE.

Fig. 1

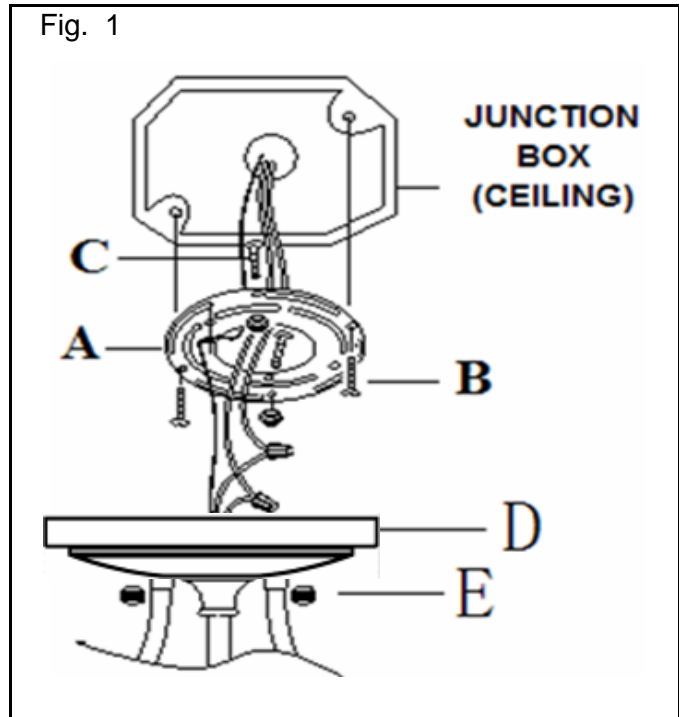


Fig. 2

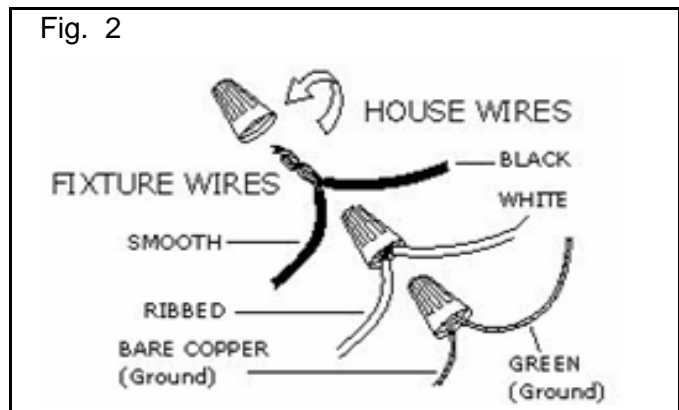
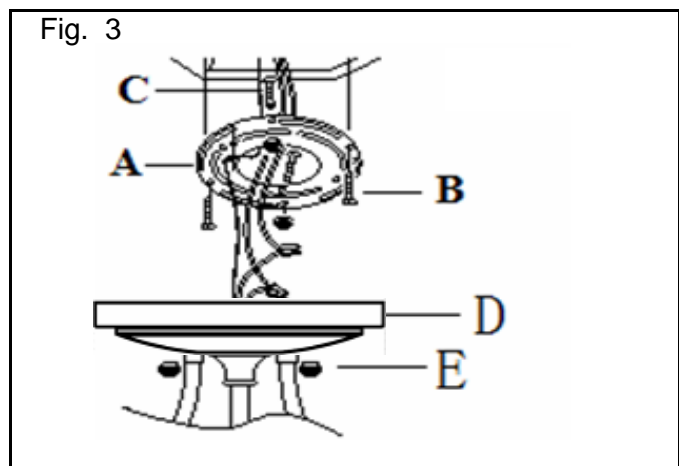


Fig. 3



## WARNING ! SHUT OFF POWER AT FUSE OR CIRCUIT BREAKER.

### HANGING THE FIXTURE (Fig.1)

- Carefully remove the new fixture from the carton and the yellow bag that holds all parts. Check that all parts are included as shown in the illustration and parts list.
- Shut off the power at the circuit breaker and remove old fixture from ceiling, including the old mounting strap.
- Thread Nipple(A-8) into Canopy loop (A-11) until snug. Thread Hex nut (A-6) and Washer (A-5) on next.
- Thread other end of the Nipple (A-8) with Canopy loop attached into Mounting strap (A-4) about 4 complete turns.
- Tighten the Washer (A-5) and Hex Nut (A-6) until snug to the Mounting strap (A-4).
- Take this mounting strap assembly and mount to ceiling junction box with Mounting Screws (A-7). Tighten screws securely with screw driver.
- Unscrew the Canopy loop collar (A-10) from the Canopy loop. Take the canopy and pass over the Canopy loop. Approximately one half of the canopy loop exterior threads should be exposed. Adjust until desired height is reached. \*the Canopy loop collar should fit snugly on the Canopy loop after the canopy is installed. Remove Canopy and Canopy loop collar.
- Assemble the fixture and have an assistant or secure support hold the weight of the fixture while you complete the wiring connections.
- Thread the fixture wires and ground wire of the assembled fixture through the canopy loop and nipple and into the outlet box.

### CONNECTING THE WIRES (Fig 2)

- Attach the power supply wires to the fixture lead wires by connecting BLACK to BLACK (or SMOOTH) and WHITE to WHITE (or RIBBED).
  - Attach the GROUND wire (GREEN or COPPER) from the Junction Box and the fixture Ground wire to the green Ground Screw on the Mounting Bracket (A-4) or connect both wires together using the correct size of wire connectors.
- NOTE: Twist the wires together in the same direction you twist the wire connector onto the wires.
- Tuck these wire connections neatly into the Junction Box.

### FINISHING THE INSTALLATION

- Raise Canopy (A-9) to the ceiling and secure in place by tightening the Canopy loop collar (A-10) onto the Canopy Loop (A-11)
- Install the light bulbs and glass shade as per the fixture assembly sheet.

Fig. 1

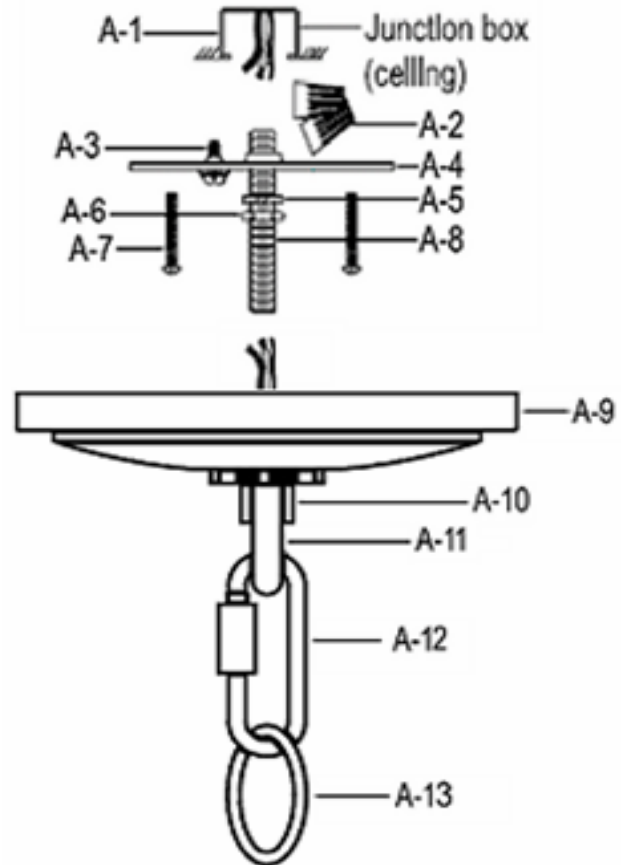
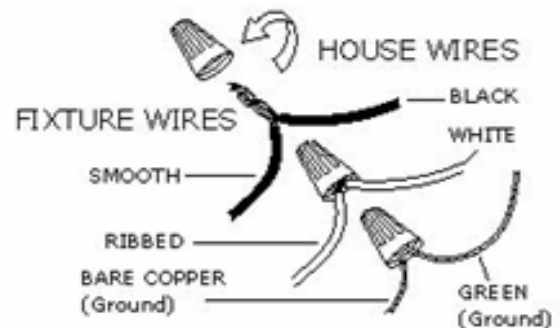


Fig. 2



**YOUR INSTALLATION IS NOW COMPLETE.  
RETURN POWER TO THE JUNCTION BOX  
AND TEST THE FIXTURE.**