

## WARNING! SHUT POWER OFF AT FUSE OR CIRCUIT BREAKER

### HANGING THE FIXTURE (Fig.1)

1. Carefully remove the new fixture from the carton and the yellow bag that holds all parts. Check that all parts are included as shown in the illustration and parts list.
2. Shut off the power at the circuit breaker and remove old fixture from ceiling, including the old mounting strap.
3. The Mounting Strap (B) contains several pairs of threaded holes, find the pair of holes that match the holes spacing in your fixture Canopy (D) and thread the two Fixture Mounting Screws (A) half way into the Fixture Mounting Strap (B).
4. Attach the Fixture Mounting Strap (B) to the Junction Box using the two Mounting Screws (C). Tighten the Screws (C) securely with screwdriver.
5. Use a pair of pliers to open one end link of the chain provided, and connect to the fixture loop. Close the link.
6. By measuring, determine correct number of links needed for proper hanging height. Using pliers disconnect and discard remaining chain.
7. Lace the fixture wires through the chain and Canopy.

### CONNECTING THE WIRES (Fig.2)

8. Attach the power supply wires to the fixture lead wires by connecting BLACK to BLACK (or SMOOTH) and WHITE to WHITE (or RIBBED).
9. Attach the GROUND wire (GREEN or COPPER) from the Junction Box and the fixture Ground wire to the green Ground Screw on the Mounting Bracket (B) or connect both wires together using the correct size of wire connectors.

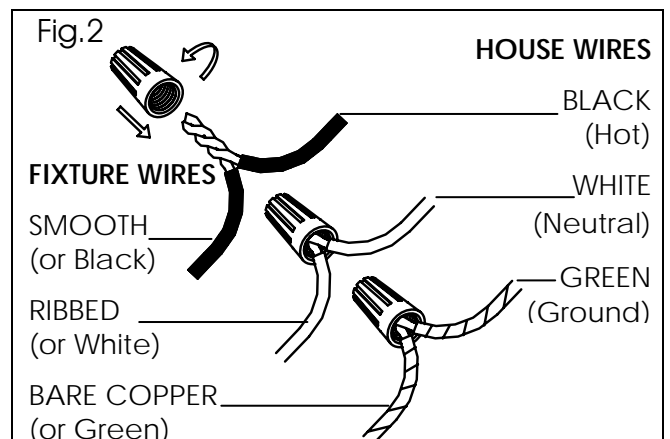
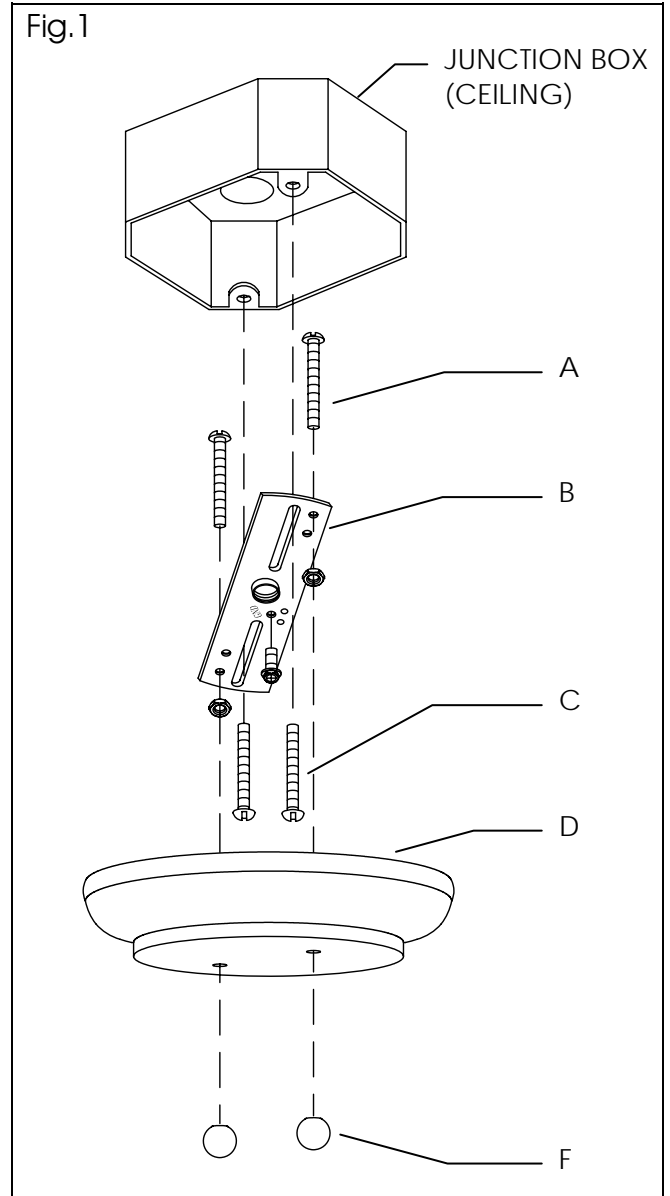
**NOTE: Twist the wires together in the same direction you twist the wire connector onto the wires.**

10. Tuck these wire connections neatly into the Junction Box.

### FINISHING THE INSTALLATION (Fig.3)

11. Raise Canopy (D) to the ceiling and secure in place by tightening the Deco Nut (F).
12. Install the light bulbs and glass shade as per the fixture assembly sheet.

**YOUR INSTALLATION IS NOW COMPLETE. TURN POWER ON AT TO THE JUNCTION BOX & TEST THE FIXTURE.**



## WARNING! SHUT POWER OFF AT FUSE OR CIRCUIT BREAKER

### HANGING THE FIXTURE (Fig.1)

- Carefully remove the new fixture from the carton and the yellow bag that holds all parts. Check that all parts are included as shown in the illustration and parts list.
  - Shut off the power at the circuit breaker and remove old fixture from ceiling, including the old mounting strap.
  - Thread Nipple(C) into Canopy Loop (F) until snug then into the Mounting Strap (D).
  - Place Lock Washer (B) and Hex Nut (A) over end of Nipple (C) and thread onto Nipple until tight.
  - Take this mounting strap assembly and mount to ceiling junction box with junction box Screws (E). Tighten screws securely with screw driver.
  - Unscrew the Canopy loop collar (H) from the Canopy loop. Pass the canopy over the Canopy loop leaving some threads exposed. Adjust nipple(C) until desired height is reached. \*the Canopy loop collar should fit snugly. Remove Canopy and Canopy lock collar.
  - Assemble the fixture and by measuring determine correct number of links needed for proper hanging height. Use a pair of pliers to open one link of the Chain then remove the excess and discard it.
  - Use one Chain connector (I) to attach one end of the chain to the Top loop (J) and close the chain connector.
  - Feed the fixture wires through the Chain (every three links) and pull the wires until taut.
- \* Make sure the weight of the fixture will be supported by the chain-not the electrical wire.
- Slip Canopy loop collar (H) over the chain, then do the same with the canopy (G). Attach the chain to the Canopy loop (F) with a Chain connector (I).
  - Thread the fixture wires and ground wire of the assembled fixture through the canopy loop (F) and nipple(C) into the outlet box.

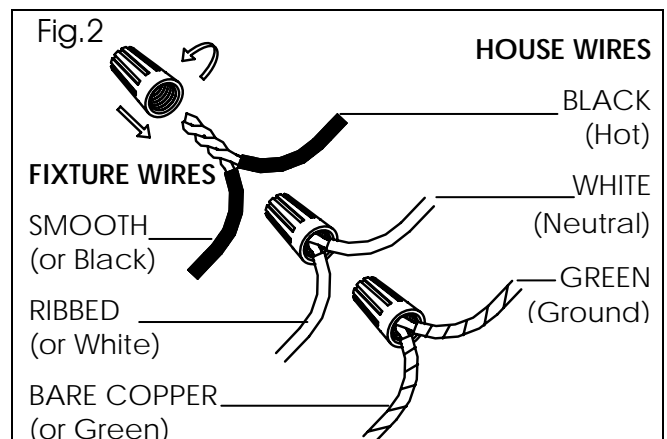
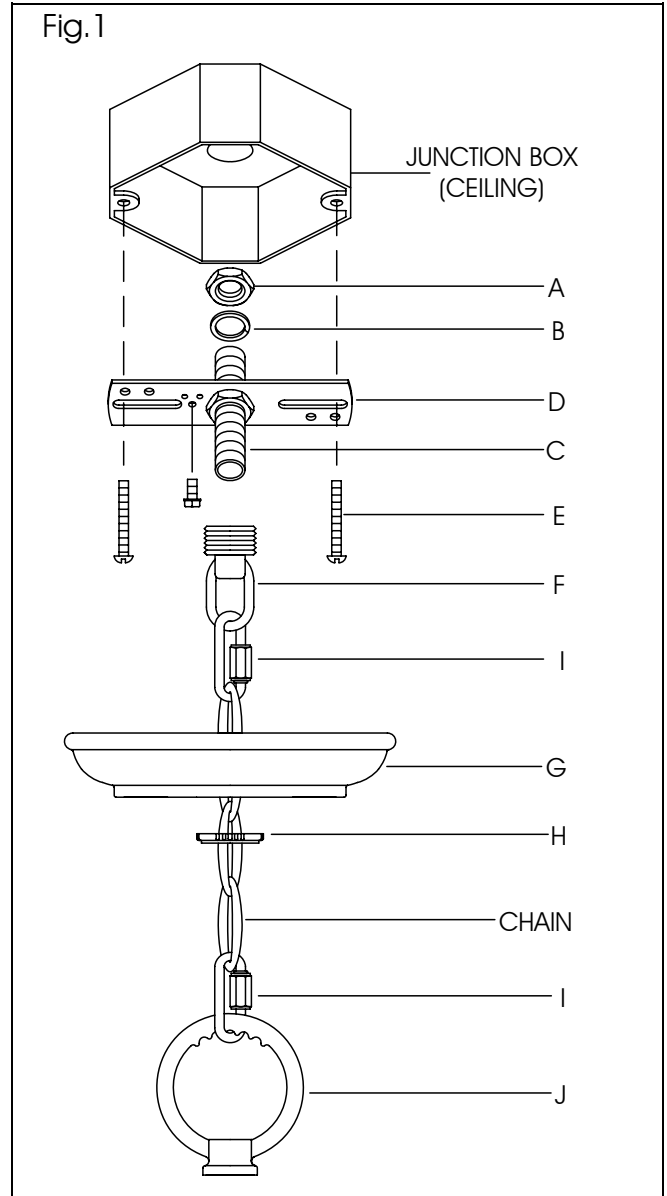
### CONNECTING THE WIRES (Fig.2)

- Attach the power supply wires to the fixture lead wires by connecting BLACK to BLACK (or SMOOTH) and WHITE to WHITE (or RIBBED).
- Attach the GROUND wire (GREEN or COPPER) from the Junction Box and the fixture Ground wire to the green Ground Screw on the Mounting Bracket (B) or connect both wires together using the correct size of wire connectors.

**NOTE: Twist the wires together in the same direction you twist the wire connector onto the wires.**

- Tuck these wire connections neatly into the Junction Box.
- Raise Canopy (G) to the ceiling and secure in place by tightening the Canopy loop collar (H) into the Canopy Loop (F).
- Install the light bulbs and glass shade as per the fixture assembly sheet.

**YOUR INSTALLATION IS NOW COMPLETE. TURN POWER ON AT TO THE JUNCTION BOX & TEST THE FIXTURE.**



# PARTS & ASSEMBLY SHEET

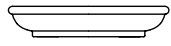


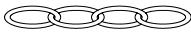

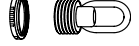
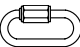

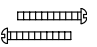

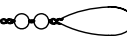
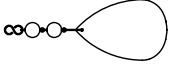


Fixture Name: CLARION 6530-SF CH

This fixture assembled PO: \_\_\_\_\_ Date: \_\_\_\_\_

**Notice:** Please review the parts listing and check for all parts before assembling the fixture. If any parts are missing or damaged, please note on this sheet and contact the place of purchase to arrange for replacement parts.

## PARTS LIST

Company Name: \_\_\_\_\_ Co Account#: \_\_\_\_\_  
below to be filled out by retailer

Canopy 2ea $\Phi$ 140*H30 mm		Hex Nut 2ea NPS-1/4-18		Wire Connectors 3ea Orange	
Chain 1ea $\Phi$ 3.8*6ft		Nipple 1ea NPS 1/4-18*50 mm		Canopy Loop 1ea NPS 1/4-18*H41 mm	
Link 2ea W20*H45 mm		Mounting Strap 1ea W103*T2.0 mm		Mounting Screws 2ea G8/32*H32 mm	
Crystal 4ea H48 mm		Crystal 4ea H63 mm		Crystal 1ea H74 mm	
Ring 1ea $\Phi$ 38*H16 mm		Ball Nut 8ea $\Phi$ 9 mm			

Part Needed \_\_\_\_\_ Quantity \_\_\_\_\_  
 Part Needed \_\_\_\_\_ Quantity \_\_\_\_\_  
 Reason why (missing, scratched, broken glass, bent, bad finish) \_\_\_\_\_  
 Comments \_\_\_\_\_

## FIXTURE ASSEMBLY INSTRUCTIONS

Read and review installation instruction sheet before assembling the fixture

1. Thread nipple (C) into the coupling and secure with nut.
2. Place Arm (G) onto the Body (A) and attach at the top with Ball Nut (B) and washer. Center the metal ring at the bottom of the arms and secure with Ball Nut (B) and washer.
3. Place Crystal (D)&(E)&(F) onto the Body (A) as shown.
4. Install the bulbs as specified. (no bulbs included in the package)(Do not exceed the maximum wattage rating!)
5. Place Top Cap (M), Neck (L), Glass Cup (K) or Canopy (N) with two holes (for semi flush) over the nipple and secure with washer and nut.
6. Place Check Ring (J) over the nipple and secure with Top Loop (H).

6530-SF CH

Fig.3

