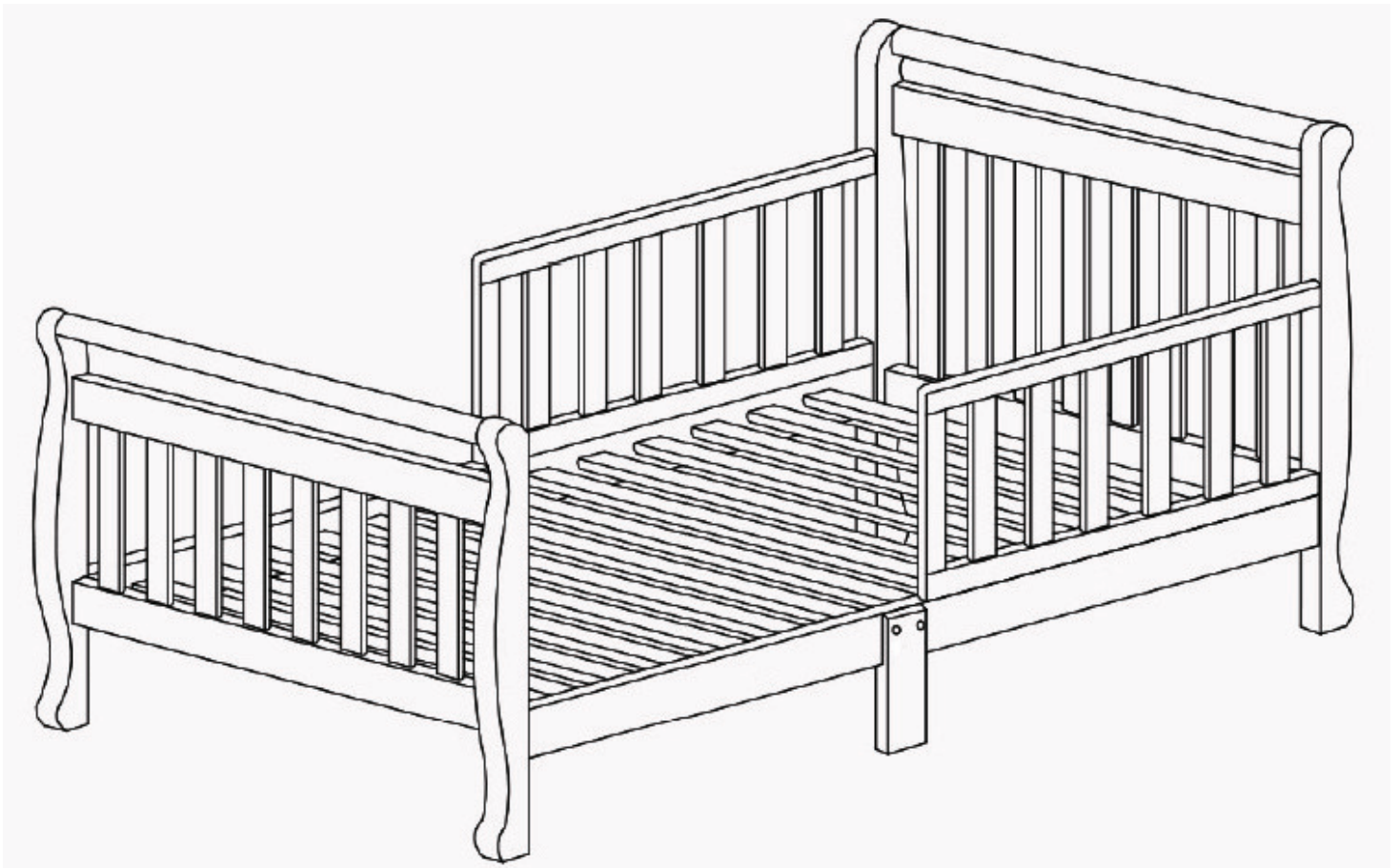


Toddler Bed (M7008)



THIS PRODUCT IS NOT INTENDED FOR INSTITUTIONAL OR COMMERCIAL USE.

If you have any questions or missing parts, please contact us. DO NOT return product parts to the store where it was purchased before contacting AFG Customer Service.

AFG Customer Service:

E-mail: service@afgbabyfurniture.com

Tel: (323) 722-6268

Toddler Bed Warning

WARNING ENTRAPMENTS / STRANGULATION HAZARD

Infants have died in toddler beds from entrapment and strangulation

Failure to follow these warnings and assembly instructions could result in serious injury or death.

- To avoid dangerous gaps, any mattress used in the bed shall be a full-size crib mattress at least 51-5/8 in. (1310 mm) in length, 27-1/4 in. (690 mm) in width., and a max thickness of 5 in. (130 mm).
- The minimum age for a child using this transitional bed shall not be less than 15 months and the maximum weight shall not be greater than 50 lbs. (22.7 kg)
- **NEVER** use bed with children under 15 months.
- **DO NOT** use with less than 12 inches of space between the transitional bed and solid objects such as a wall or dresser. Child could slide into smaller spaces and suffocate.
- **NEVER** place bed near window where cords from blinds or drapes may strangle a child.
- Strings can cause strangulation!
- **DO NOT** place items with a string around a child's neck, such as hood strings or pacifier cords.
- **DO NOT** suspend strings over a crib or attach strings to toys.
- **DO NOT** use a water mattress
- **DO NOT** use casters on transitional bed.
- **DO NOT** use casters on toddler bed.
- **DO NOT** suspend strings over a transitional bed for any reason.
- Guardrails if provided must be used to avoid the formation of a gap between the mattress and the bed. that could cause an entrapment. If mattress retention clips are provided they must be used to restrict mattress movement.



WARNING:

READ ALL WARNING & SAFETY INSTRUCTIONS BEFORE ASSEMBLING CRIB. KEEP INSTRUCTIONS WITH CRIB FOR FUTURE USE.

First remove hardware from box and sort by size. Check to see that all hardware and wooden pieces are present before assembling.

Follow instructions listed below in the proper sequence as numbered to assure fast, easy and correct assembly.



WARNING:

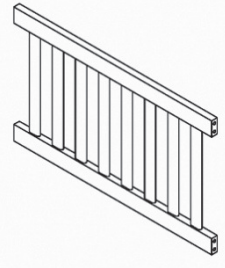
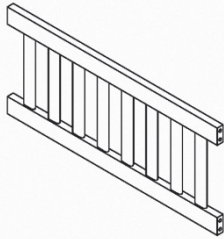

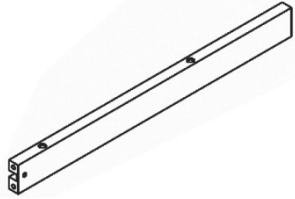
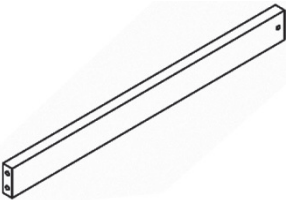
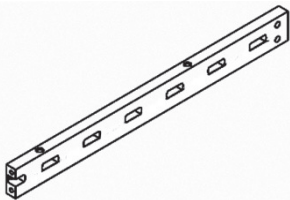
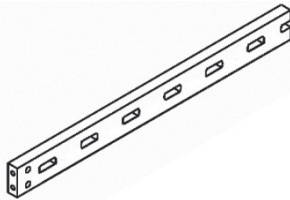

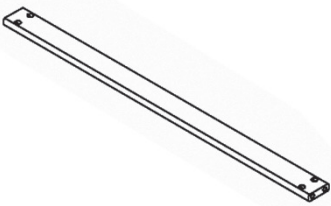
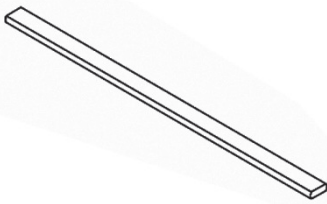
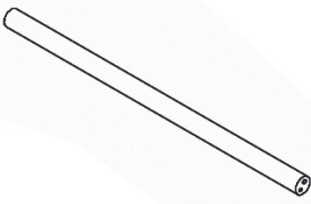




- DO NOT attempt to repair or modify parts with cracks or defects. Please contact us for immediate replacement.
- This product is for home use and is not intended for use in schools, day care centers or other commercial establishments.
- Must be assembled by a capable adult.

Care and Cleaning: Do not scratch or chip the finish. Do not use abrasive chemicals for cleaning. Clean with mild soap on a soft rag. Rinse and dry thoroughly. If you choose to refinish this furniture, be sure to use only a non-toxic finish specified for children's products.

Storage: The crib must be kept in a dry and clean area.

M7008 Parts Identification Sheet

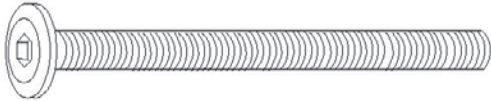
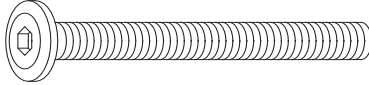


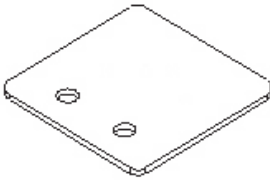


**DO NOT assemble Toddler bed if parts and hardware are defective or missing.
Contact AFG for exchange or keep the original box for return authorization.**

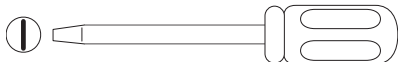
<p>A. Head Board (1 pc)</p> 	<p>B. Foot Board (1 pc)</p> 	<p>C. Guard Rail (2 pcs)</p> 	<p>D. Head Board Left Bed Rail (1 pc)</p> 
<p>E. Foot Board Left Bed Rail (1 pc)</p> 	<p>F. Head Board Right Bed Rail (1 pc)</p> 	<p>G. Foot Board Right Bed Rail (1 pc)</p> 	<p>H. Center Leg (2 pcs)</p> 
<p>I. Center Brace (1 pc)</p> 	<p>J. Bed Slat (12 pcs)</p> 	<p>K. Top Rail (2 pcs)</p> 	<p>L. Headboard Left Leg (1 pc)</p> 
<p>M. Headboard Right Leg (1 pc)</p> 	<p>N. Footboard Left Leg (1 pc)</p> 	<p>O. Footboard Right Leg (1 pc)</p> 	

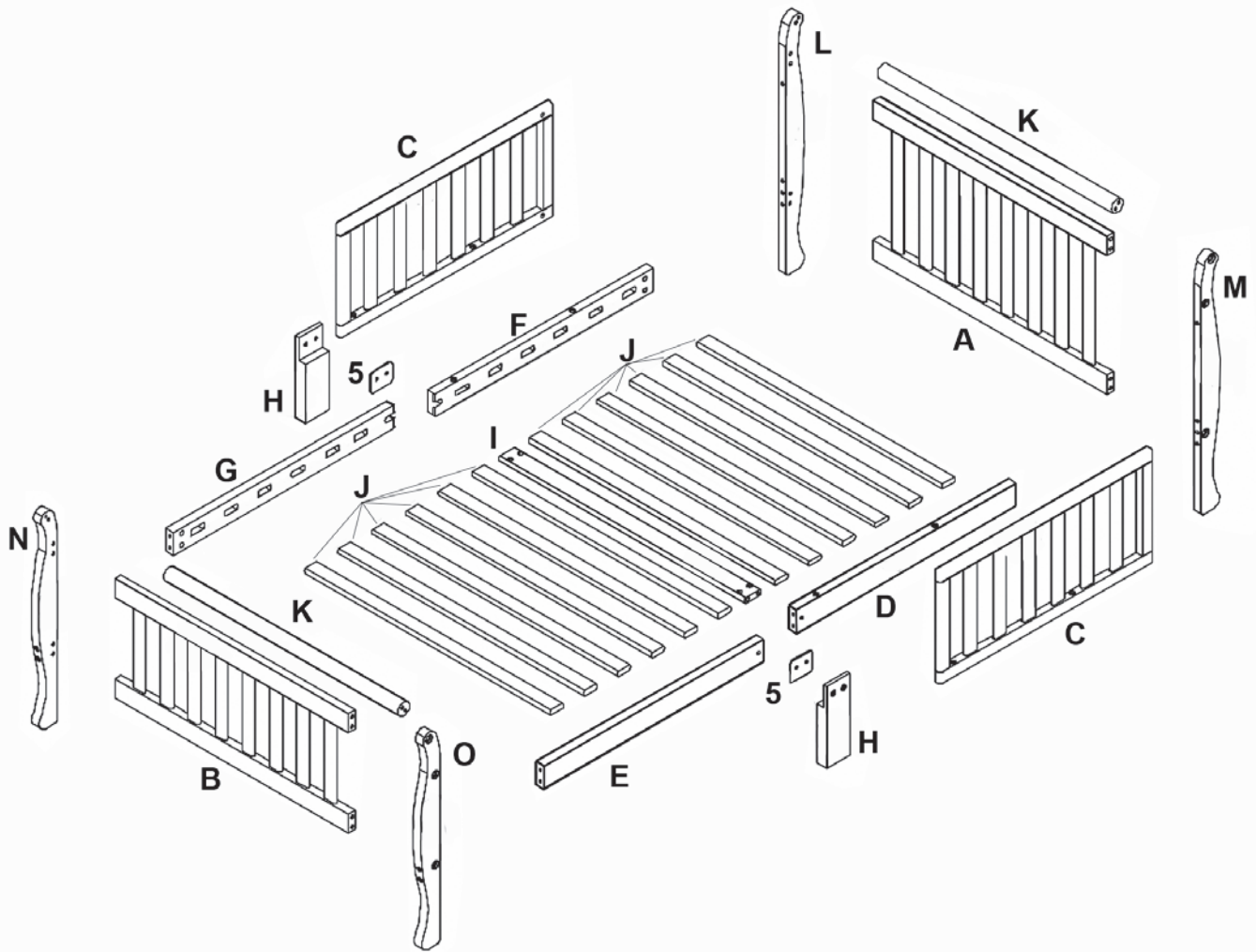
M7008 Hardware Identification Sheet

DO NOT assemble crib if parts and hardware are defective or missing.
Contact AFG for exchange or keep the original box for return authorization.

Toddler Bed Assembly Hardware

Item #	Fittings	Qty
1. Bolt ¼" x 2½"		(28pcs)
2. Bolt ¼" x 2"		(4 pcs)
3. Barrel Nut		(24 pcs)
4. Metal Dowel 1-1/5"		(4 pcs)
5. Metal Plate		(2 pcs)
6. Wood Dowel 1-1/5"		(12 pcs)
7. Wrench		(1 pcs)

FLATHEAD SCREWDRIVER  (NOT INCLUDED)



Note: Please follow this Parts Diagram to make sure that all Toddler bed parts are assembled in the correct position.

A	Head Board	(1 pc)
B	Foot Board	(1 pc)
C	Guard Rail	(2 pcs)
D	Head Board Left Bed Rail	(1 pc)
E	Foot Board Left Bed Rail	(1 pc)
F	Head Board Right Bed Rail	(1 pc)
G	Foot Board Right Bed Rail	(1 pc)
H	Center Leg	(2 pcs)
I	Center Brace	(1 pc)
J	Bed Slat	(12 pcs)
K	Top Rail	(2 pcs)
L	Headboard Left Leg	(1 pc)
M	Headboard Right Leg	(1 pc)
N	Footboard Left Leg	(1 pc)
O	Footboard Right Leg	(1 pc)