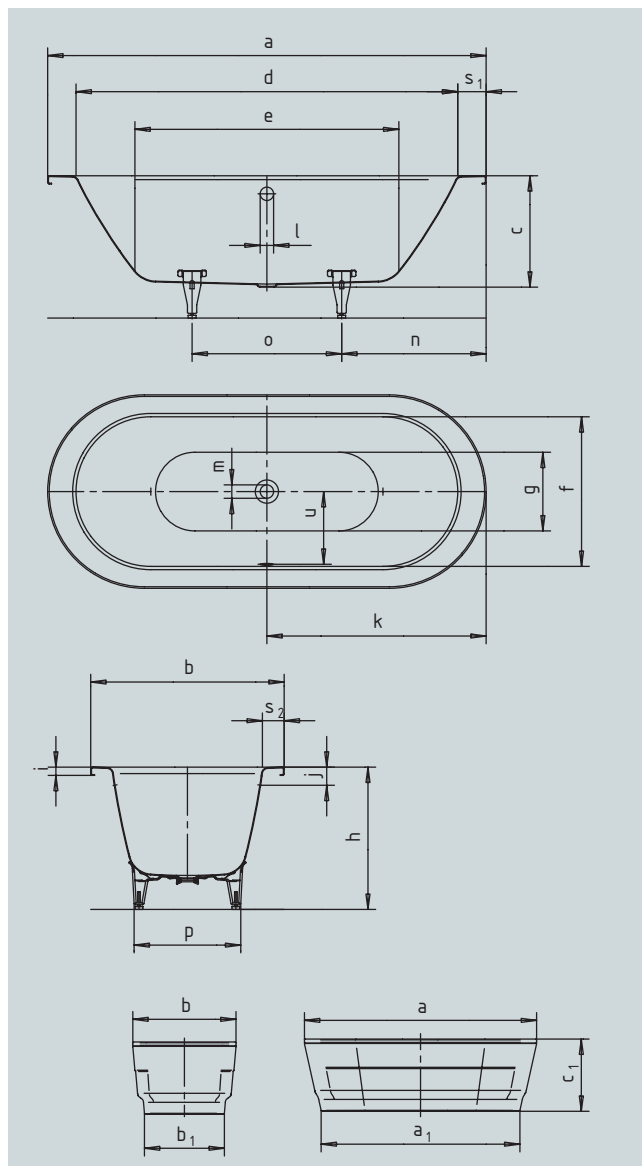


CLASSIC DUO OVAL WIDE

CLASSIC DUO OVAL WIDE WITH MOULDED PANEL

- puristic simplicity and unpretentious elegance are what distinguish these bathtubs
- generously designed rim for individual tap positioning
- bathing with a friend: two identical back rests and centrally positioned outlet
- made of Kaldewei steel enamel 3.5 mm
- the moulded panel emphasises the high design standard and enables the bath to be free-standing



Model No.		115	115-7
External length	a	1800	1800 mm
External length (bottom)	a ₁	–	1530 mm
External width	b	800	800 mm
External width (bottom)	b ₁	–	608 mm
Depth	c	430	430 mm
Overall height with panel	c ₁	–	560 mm
Internal length (top)	d	1580	1580 mm
Internal length (bottom)	e	1130	1130 mm
Internal width (top)	f	580	580 mm
Internal width (bottom)	g	450	450 mm
Height with feet	h	566-596	566-596 mm
Height of rim	i	32	32 mm
Distance top edge to centre of overflow hole	j	70	70 mm
Distance tub edge to centre of drain hole	k	900	900 mm
Diameter of overflow hole	l	52	52 mm
Diameter of drain hole	m	52	52 mm
Distance foot end of tub edge to centre of foot	n	610	610 mm
Distance between the feet	o	580	580 mm
Max. width of feet	p	400	400 mm
Width of rim (foot end; lengthwise)	s ₁ ; s ₂	110; 110	110; 110 mm
Distance between centre holes	u	280	280 mm
Water volume** in litres		114	114
Weight of the enamelled bath tub in kg		47	
Anti-slip		Ø 288	Ø 288 mm
Full anti-slip		850 x 240	850 x 240 mm

Subject to technical alterations and tolerances.
 ** 70 litres displacement on average.

KALDEWEI
 Europe's No. 1 for baths