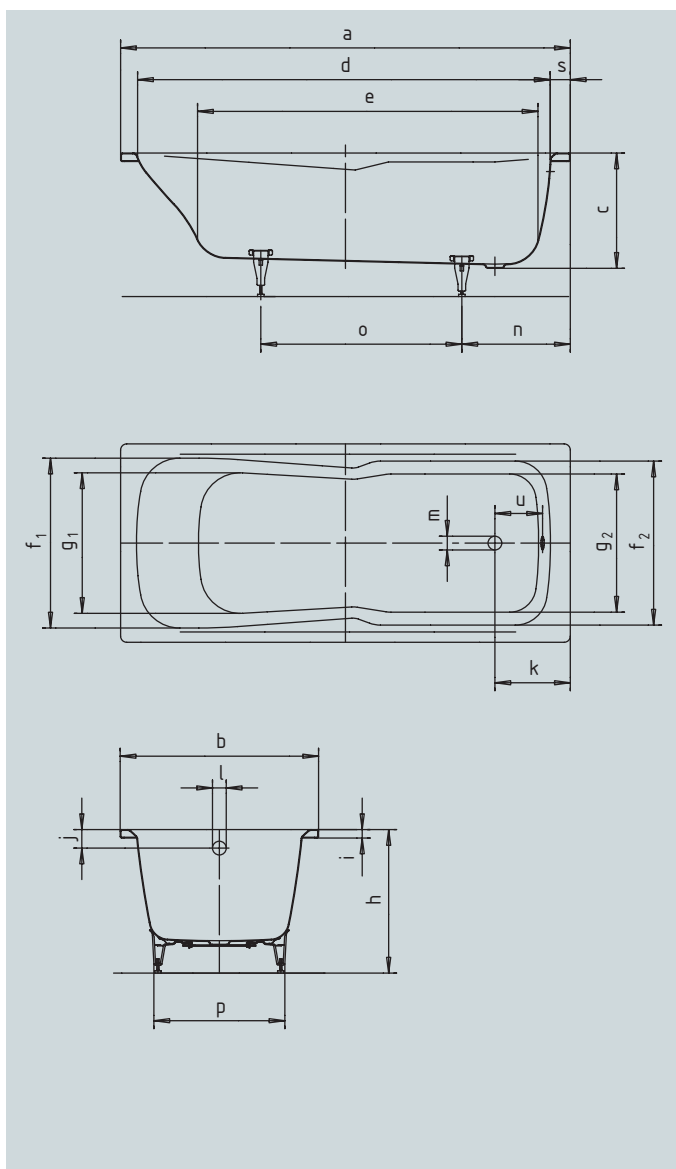


DYNA SET

- one-seater bathtub with outlet at foot end
- combi-bathtub suitable for bathing and showering
- made of Kaldewei steel enamel 3.5 mm



		inch	mm	inch	mm	inch	mm	inch	mm
Model No.		626	626	624	624	620	620	622	622
External length	a	62.99	1600	59.06	1500	66.93	1700	70.87	1800
External width	b	27.56	700	29.53	750	29.53	750	31.50	800
Depth	c	16.93	430	16.93	430	16.93	430	16.93	430
Internal length (top)	d	56.69	1440	52.76	1340	61.61	1565	61.61	1565
Internal length (bottom)	e	45.47	1155	41.34	1050	48.43	1230	48.43	1230
Internal width (top)	f ₁ ; f ₂	23.23; 23.23	590; 590	25.20; 25.20	640; 640	25.20; 24.41	640; 620	25.20; 24.41	640; 620
Internal width (bottom)	g ₁ ; g ₂	17.72; 18.50	450; 470	19.69; 20.47	500; 520	19.69; 20.47	500; 520	19.69; 20.47	500; 520
Height with feet	h	22.09-23.07	561-586	22.09-23.07	561-586	22.09-23.07	561-586	22.09-23.07	561-586
Height of rim	i	1.26	32	1.26	32	1.26	32	1.26	32
Distance top edge to centre of overflow hole	j	2.76	70	2.76	70	2.76	70	2.76	70
Distance tub edge to centre of drain hole	k	12.20	310	12.20	310	11.22	285	13.19	335
Diameter of overflow hole	l	2.05	52	2.05	52	2.05	52	2.05	52
Diameter of drain hole	m	2.05	52	2.05	52	2.05	52	2.05	52
Distance foot end of tub edge to centre of foot	n	16.14	410	16.14	410	16.14	410	16.34	415
Distance between the feet	o	27.17	690	23.23	590	29.92	760	31.69	805
Max. width of feet	p	17.52	445	19.49	495	19.49	495	19.49	495
Width of rim (foot end)	s	3.94	100	3.94	100	2.95	75	4.92	125
Distance between centre holes	u	8.11	206	8.11	206	8.11	206	8.11	206
Water volume** in gallons		32.22		35.13		44.64		44.64	
Weight of the enamelled bath tub in lbs		101.41		99.71		116.85		149.91	

Subject to technical alterations and tolerances.
 ** 18.49 gallons displacement on average.