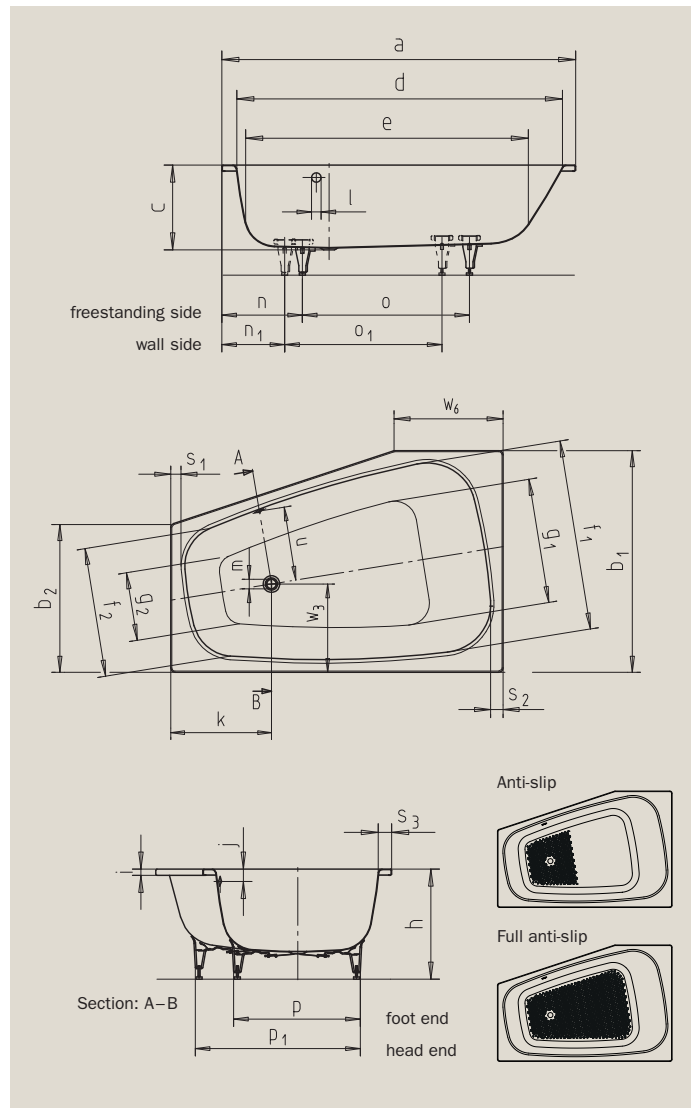


PLAZA DUO right

- the spacious interior enables you to adopt a wide range of positions when bathing
- bathing with a friend: sit next to each other
- available as right or left-hand model
- made of Kaldewei steel enamel 3.5 mm



| Model No. | | 190 |
|-------------------------------------------------|--------------------------------------------------|-------------------|
| External length | a | 1800 mm |
| External width | b ₁ ; b ₂ | 1200; 800 mm |
| Depth | c | 430 mm |
| Internal length (top) | d | 1625 mm |
| Internal length (bottom) | e | 1410 mm |
| Internal width (top) | f ₁ ; f ₂ | 1035; 700 mm |
| Internal width (bottom) | g ₁ ; g ₂ | 738; 370 mm |
| Height with feet | h | 552-560 mm |
| Height of rim | i | 32 mm |
| Distance top edge to centre of overflow hole | j | 70 mm |
| Distance tub edge to centre of drain hole | k | 545 mm |
| Diameter of overflow hole | l | 52 mm |
| Diameter of drain hole | m | 52 mm |
| Distance foot end of tub edge to centre of foot | n; n ₁ | 320; 410 mm |
| Distance between the feet | o; o ₁ | 800; 850 mm |
| Max. width of feet | p; p ₁ | 600; 880 mm |
| Width of rim (foot end; head end; lengthwise) | s ₁ ; s ₂ ; s ₃ | 74; 61; 66 mm |
| Distance between centre holes | u | 409 mm |
| Distance tub edge (lengthwise) to drain hole | w ₃ | 478 mm |
| Side length | w ₆ | 590 mm |
| Water volume** in litres | | 273 |
| Weight of the enamelled bath tub in kg | | 67 |
| Anti-slip | | 473 x 386/562 mm |
| Full anti-slip | | 1031 x 386/700 mm |

Note: The operational system may protrude on some whirl systems.
Please refer to the Technical Information for Whirl Systems for further information.
Subject to technical alterations and tolerances.
** 70 litres displacement on average.