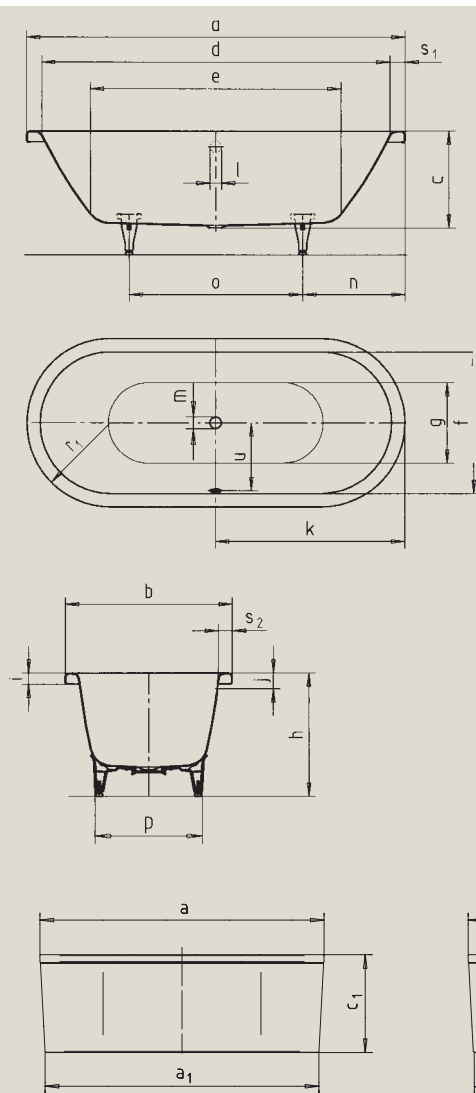


# CENTRO DUO OVAL

## CENTRO DUO OVAL

### WITH MOULDED PANEL

- puristic simplicity and unpretentious elegance are what distinguish these bathtubs
- bathing with a friend: two identical back rests and centrally positioned outlet
- made of Kaldewei steel enamel 3.5 mm
- the moulded panel emphasizes the high design standard and means the bath can be free-standing



Model No.		127	127-7	128	128-7
External length	a	1700	1700	1800	1800 mm
External length (bottom)	a <sub>1</sub>	–	1635	–	1735 mm
External width	b	750	750	800	800 mm
External width (bottom)	b <sub>1</sub>	–	685	–	735 mm
Depth	c	470	470	470	470 mm
Overall height with panel	c <sub>1</sub>	–	620	–	620 mm
Internal length (top)	d	1580	1580	1680	1680 mm
<b>Internal length (bottom)</b>	<b>e</b>	<b>1130</b>	<b>1130</b>	<b>1230</b>	<b>1230 mm</b>
Internal width (top)	f	630	630	680	680 mm
Internal width (bottom)	g	510	510	560	560 mm
Height with feet	h	605-640	605-640	595-630	595-630 mm
Height of rim	i	50	50	50	50 mm
Distance top edge to centre of overflow hole	j	70	70	70	70 mm
Distance tub edge to centre of drain hole	k	850	850	900	900 mm
Diameter of overflow hole	l	52	52	52	52 mm
Diameter of drain hole	m	52	52	52	52 mm
Distance foot end of tub edge to centre of foot	n	560	560	600	600 mm
Distance between the feet	o	580	580	600	600 mm
Max. width of feet	p	465	465	540	540 mm
Radius	r <sub>1</sub>	375	375	400	400 mm
Width of rim (foot end; lengthwise)	s <sub>1</sub> ; s <sub>2</sub>	60; 60	60; 60	60; 60	60; 60 mm
Distance between centre holes	u	307	307	332	332 mm
Water volume** in litres		156	156	195	195
Weight of the enamelled bath tub in kg		49	–	53	–
Anti-slip		Ø 435	Ø 435	Ø 435	Ø 435 mm
Full anti-slip		900 x 300	900 x 300	900 x 300	900 x 300 mm

Note: The operational system may protrude on some whirl systems.  
Please refer to the Technical Information for Whirl Systems for further information.  
Subject to technical alterations and tolerances.  
\*\* 70 litres displacement on average.