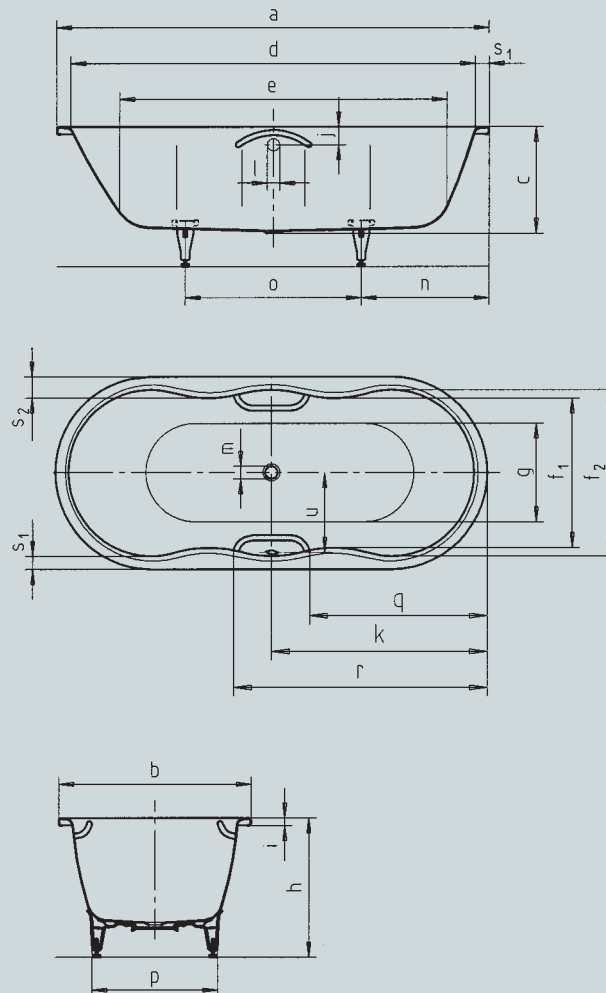


# NOVOLA DUO OVAL

## NOVOLA DUO OVAL STAR

- with its curved interior contours, this bathtub will become an eye-catcher in every bathroom
- bathing with a friend: two identical back rests and centrally positioned outlet
- made of Kaldewei steel enamel 3.5 mm
- also available with handles



Model No.		260 / 270
External length	a	1800 mm
External width	b	800 mm
Depth	c	440 mm
Internal length (top)	d	1690 mm
<b>Internal length (bottom)</b>	<b>e</b>	<b>1360 mm</b>
Internal width (top)	f <sub>1</sub> ; f <sub>2</sub>	620; 690 mm
Internal width (bottom)	g	460 mm
Height with feet	h	565-590 mm
Height of rim	i	32 mm
Distance top edge to centre of overflow hole	j	67 mm
Distance tub edge to centre of drain hole	k	900 mm
Diameter of overflow hole	l	52 mm
Diameter of drain hole	m	52 mm
Distance foot end of tub edge to centre of foot	n	480 mm
Distance between the feet	o	780 mm
Max. width of feet	p	500 mm
Distance tub edge (foot end) to where handle starts (Mod. 270)	q	740 mm
Distance tub edge (foot end) to where handle ends (Mod. 270)	r	1058 mm
Width of rim	s <sub>1</sub> ; s <sub>2</sub>	55; 90 mm
Distance between centre holes	u	337 mm
Water volume** in litres		197
Weight of the enamelled bath tub in kg		53
Anti-slip		Ø 435 mm
Full anti-slip		900 x 300 mm

Note: The operational system may protrude on some whirl systems.  
Please refer to the Technical Information for Whirl Systems for further information.  
Subject to technical alterations and tolerances.  
\*\* 70 litres displacement on average.