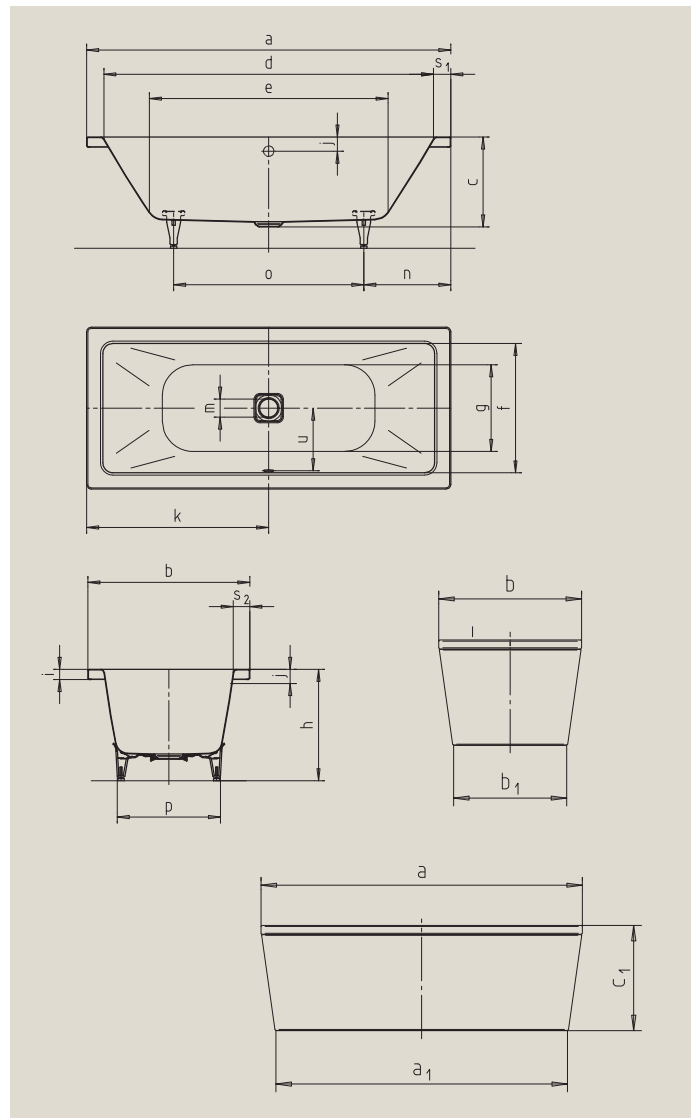


CONODUO WITH MOULDED PANEL

- straight-lined, purist design
- enamelled outlet cover and overflow knob integrated in the bath design
- bathing with a friend: two identical sloping back rests and centrally positioned outlet
- classic rectangular model
- made of Kaldewei steel enamel 3.5 mm
- the moulded panel emphasizes the high design standard and means the bath can be free-standing



Model No.		inch	mm	inch	mm	inch	mm
		733-7	733-7	734-7	734-7	735-7	735-7
External length	a	70.87	1800	74.80	1900	78.74	2000
External length (bottom)	a ₁	64.29	1633	68.23	1733	72.17	1833
External width	b	31.50	800	35.43	900	39.37	1000
External width (bottom)	b ₁	24.92	633	28.86	733	32.80	833
Depth	c	17.52	445	17.52	445	17.52	445
Overall height with panel	c ₁	23.23	590	23.23	590	23.23	590
Internal length (top)	d	64.57	1640	68.50	1740	70.87	1800
Internal length (bottom)	e	46.46	1180	50.39	1280	52.76	1340
Internal width (top)	f	25.20	640	29.13	740	31.50	800
Internal width (bottom)	g	20.47	520	24.41	620	26.77	680
Height with feet	h	21.85-23.23	555-590	22.24-23.62	565-600	21.85-23.23	555-590
Height of rim	i	1.97	50	1.97	50	1.97	50
Distance top edge to centre of overflow hole	j	2.76	70	2.76	70	2.76	70
Distance tub edge to centre of drain hole	k	35.43	900	37.40	950	39.37	1000
Diameter of overflow hole	l	2.05	52	2.05	52	2.05	52
Diameter of drain hole	m	3.54	90	3.54	90	3.54	90
Distance foot end of tub edge to centre of foot	n	21.85	555	22.44	570	24.41	620
Distance between the feet	o	27.17	690	29.92	760	29.92	760
Max. width of feet	p	20.28	515	24.02	610	26.57	675
Width of rim (foot end; lengthwise)	s ₁ ; s ₂	3.15; 3.15	80; 80	3.15; 3.15	80; 80	3.94; 3.94	100; 100
Distance between centre holes	u	12.20	310	14.17	360	15.35	390
Water volume** in gallons		41.99		58.11		68.67	
Weight of the enamelled bath tub in lbs		-		-		-	

Subject to technical alterations and tolerances.
** 18.49 gallons displacement on average.