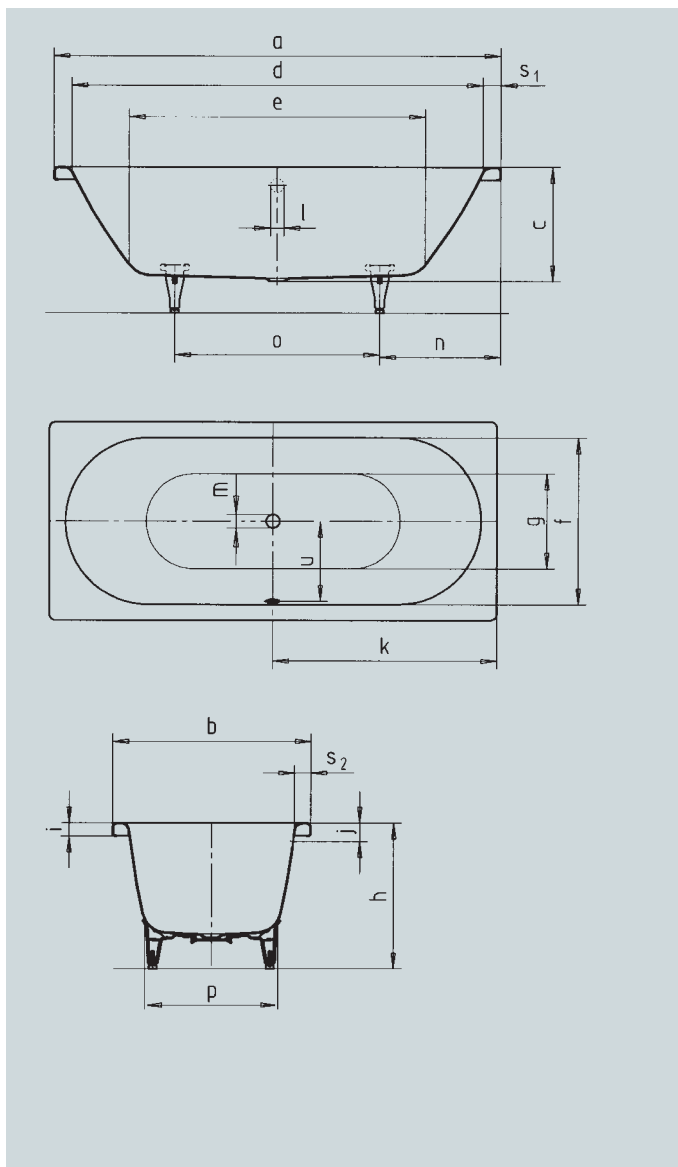


# KLASSIKDUO

- puristic simplicity and unpretentious elegance are what distinguish these bathtubs
- bathing with a friend: two identical back rests and centrally positioned outlet
- classical four-cornered model
- made of Kaldewei steel enamel 3.5 mm



		inch	mm	inch	mm	inch	mm	inch	mm	inch	mm	inch	mm
<b>Model No.</b>		<b>103</b>	<b>103</b>	<b>105</b>	<b>105</b>	<b>107</b>	<b>107</b>	<b>109</b>	<b>109</b>	<b>110</b>	<b>110</b>	<b>114</b>	<b>114</b>
External length	a	62.99	1600	66.93	1700	66.93	1700	70.87	1800	70.87	1800	74.80	1900
External width	b	27.56	700	27.56	700	29.53	750	29.53	750	31.50	800	35.43	900
Depth	c	16.93	430	16.93	430	16.93	430	16.93	430	16.93	430	16.93	430
Internal length (top)	d	58.27	1480	62.20	1580	62.20	1580	66.14	1680	66.14	1680	70.08	1780
<b>Internal length (bottom)</b>	<b>e</b>	<b>44.55</b>	<b>1030</b>	<b>44.49</b>	<b>1130</b>	<b>44.49</b>	<b>1130</b>	<b>48.43</b>	<b>1230</b>	<b>48.43</b>	<b>1230</b>	<b>52.36</b>	<b>1330</b>
Internal width (top)	f	22.83	580	22.83	580	24.80	630	24.80	630	26.77	680	30.71	780
Internal width (bottom)	g	17.72	450	17.72	450	19.69	500	19.69	500	21.65	550	25.59	650
Height with feet	h	22.44-23.82	570-605	22.24-23.62	565-600	22.05-23.43	560-595	22.05-23.43	560-595	21.85-23.23	555-590		
Height of rim	i	1.26	32	1.26	32	1.26	32	1.26	32	1.26	32	1.26	32
Distance top edge to centre of overflow hole	j	2.76	70	2.76	70	2.76	70	2.76	70	2.76	70	2.76	70
Distance tub edge to centre of drain hole	k	31.50	800	33.46	850	33.46	850	35.43	900	35.43	900	37.40	950
Diameter of overflow hole	l	2.05	52	2.05	52	2.05	52	2.05	52	2.05	52	2.05	52
Diameter of drain hole	m	2.05	52	2.05	52	2.05	52	2.05	52	2.05	52	2.05	52
Distance foot end of tub edge to centre of foot	n	22.05	560	22.05	560	22.05	560	23.62	600	23.62	600		
Distance between the feet	o	18.90	480	22.83	580	22.83	580	23.62	600	23.62	600		
Max. width of feet	p	16.93	430	16.54	420	18.50	470	18.50	470	21.26	540		
Width of rim (foot end; lengthwise)	s <sub>1</sub> ; s <sub>2</sub>	2.36; 2.36	60; 60	2.36; 2.36	60; 60	2.36; 2.36	60; 60	2.36; 2.36	60; 60	2.36; 2.36	60; 60	2.36; 2.36	60; 60
Distance between centre holes	u	11.02	280	11.02	280	12.01	305	12.01	305	12.99	330	14.96	380
Water volume** in gallons		25.09		29.05		32.22		37.77		41.73			
Weight of the enamelled bath tub in lbs		97.00		103.62		105.82		110.23		116.85			

Subject to technical alterations and tolerances.  
 \*\* 18.49 gallons displacement on average.

**KALDEWEI**  
 Europe's No. 1 for baths