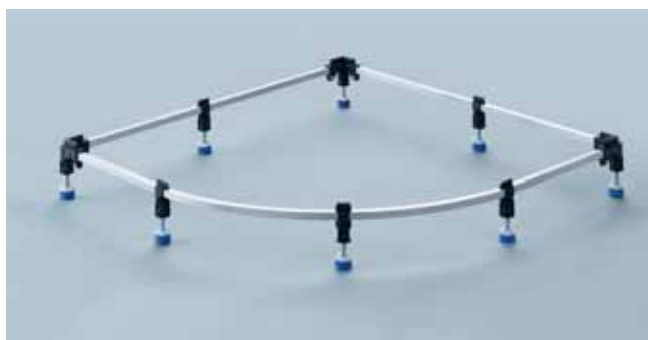
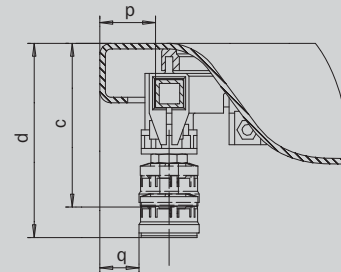


# SHOWER TRAY FOOT FRAME FR

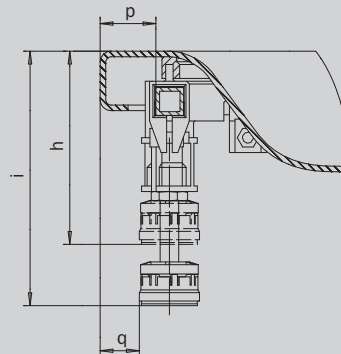
- suitable for flat and ultra flat square shower trays
- size adjustment to max. 90 x 90 cm or 120 x 120 cm and 150 x 170 cm for SUPERPLAN XXL and DUSCHPLAN XXL as well as 100 x 100 cm for ARRONDO and ZIRKON  
(Length of square aluminium tube can be adapted for smaller dimensions)
- feet are sound-insulated; optimum sound insulation to DIN 4109/A1 in conjunction with Kaldewei sound insulating set DWS



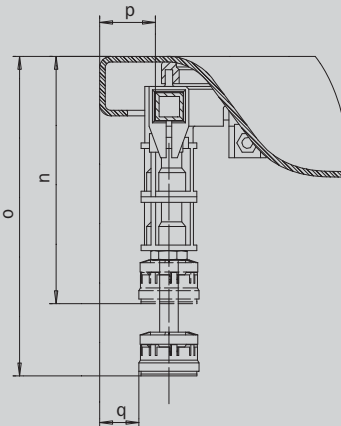
short foot



long foot without extension



long foot with extension



rectangular shower trays

quarter-circular shower trays

		90/90	120/120	150/170	100/100
Installed height min.	c	88	88	88	88 mm
Installed height max.	d	104	104	104	104 mm
Installed height min.	h	104	104	104	104 mm
Installed height max.	i	137	137	137	137 mm
Installed height min.	n	137	137	137	137 mm
Installed height max.	o	172	172	172	172 mm
Separation rim of tray to frame profile	p	30	30	30	30 mm
Separation rim of tray to foot cap	q	20	20	20	20 mm

Shower tray foot frame FR	Model Order No.	Dimensions cm	£
	<b>5300</b> 5300 0001 0000	90 x 90	
	<b>5300</b> 5300 0002 0000	120 x 120	
for SUPERPLAN XXL and DUSCHPLAN XXL	<b>5300</b> 5300 0003 0000	150 x 170	
for ARRONDO	<b>5300</b> 5300 0005 0000	100 x 100	
for ZIRKON	<b>5300</b> 5300 0004 0000	100 x 100	