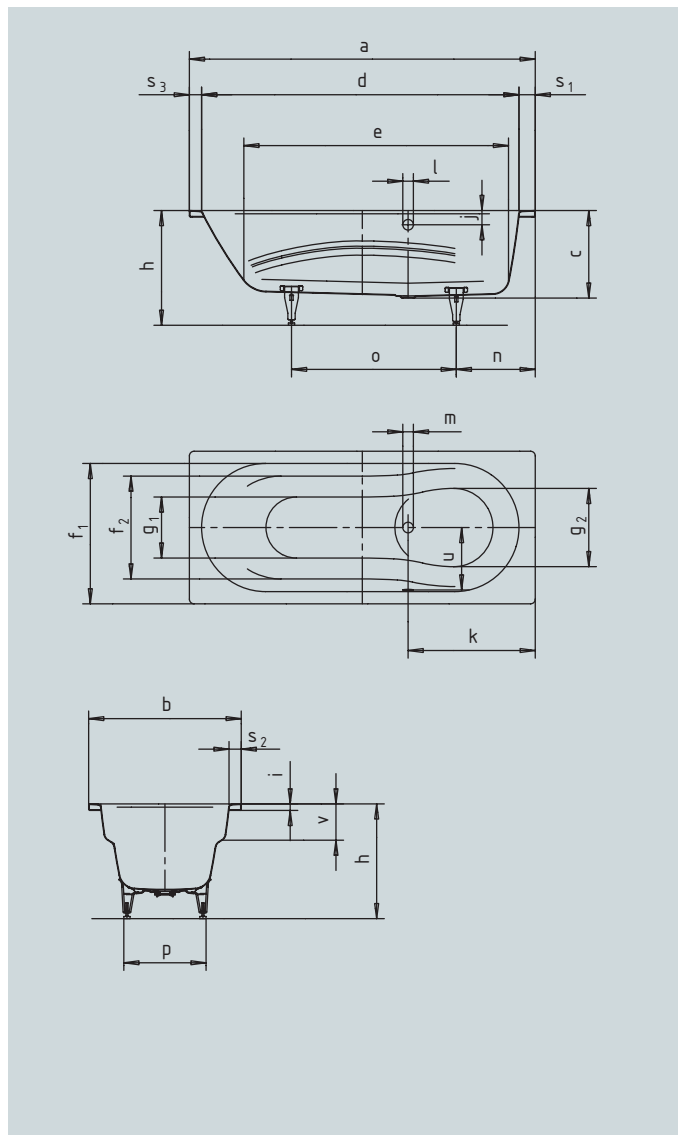


VAIO SET

- one-seater bathtub with side overflow and integrated arm rests
- combi-bathtub suitable for bathing and showering
- made of Kaldewei steel enamel 3.5 mm



		inch	mm	inch	mm	inch	mm	inch	mm
Model No.		956	956	944	944	954	954	946	946
External length	a	62.99	1600	66.93	1700	66.93	1700	70.87	1800
External width	b	27.56	700	27.56	700	29.53	750	31.50	800
Depth	c	16.93	430	16.93	430	16.93	430	16.93	430
Internal length (top)	d	57.48	1460	57.48	1460	61.42	1560	61.42	1560
Internal length (bottom)	e	47.24	1200	47.24	1200	51.18	1300	51.18	1300
Internal width (top)	f ₁ ; f ₂	22.83; 18.50	580; 470	22.83; 18.50	580; 470	24.80; 19.88	630; 505	24.80; 19.88	630; 505
Internal width (bottom)	g ₁ ; g ₂	10.83; 12.99	420; 475	10.83; 12.99	420; 475	11.81; 15.16	450; 525	17.72; 20.67	450; 525
Height with feet	h	22.05-22.83	560-580			22.05-22.83	560-580	22.05-22.83	560-580
Height of rim	i	1.26	32	1.26	32	1.26	32	1.26	32
Distance top edge to centre of overflow hole	j	2.76	70	2.76	70	2.76	70	2.76	70
Distance tub edge to centre of drain hole	k	22.64	575	24.61	625	24.61	625	26.57	675
Diameter of overflow hole	l	2.05	52	2.05	52	2.05	52	2.05	52
Diameter of drain hole	m	2.05	52	2.05	52	2.05	52	2.05	52
Distance foot end of tub edge to centre of foot	n	17.13	435			17.13	435	19.09	485
Distance between the feet	o	24.61	625			28.54	725	28.54	725
Max. width of feet	p	16.73	425			19.21	488	19.09	485
Width of rim (foot end; lengthwise)	s ₁ ; s ₂ ; s ₃	3.15; 2.36; 2.36	80; 60; 60	5.12; 2.36; 4.33	130; 60; 110	3.15; 2.36; 2.36	80; 60; 60	5.12; 3.35; 4.33	130; 85; 110
Distance between centre holes	u	11.02	280	11.02	280	12.20	310	12.20	310
Armrest depth	v	6.89	175	6.89	175	6.89	175	6.89	175
Water volume** in gallons		25.36				35.39		36.98	
Weight of the enamelled bath tub in lbs		101.41				110.23		121.25	

Subject to technical alterations and tolerances.
 ** 18.49 gallons displacement on average.

KALDEWEI
 Europe's No. 1 for baths