

# 3-SPEED OSCILLATING DESK FAN

## OPERATING INSTRUCTIONS FOR CINNI FAN

### Please Read and Save These Instructions

---

#### SAFETY PRECAUTIONS:

**When lifting fan, do not carry by fan cage or motor housing. Only lift by goose-neck arm or base. Lifting the fan by its cage or motor housing will damage the oscillating mechanism.**

**WARNING:** Disconnect source of electrical power by removing the fuse or switching off circuit breakers.

- Always unplug fan before cleaning or moving to another location.
- To avoid overturning, always place fan on a flat level surface.
- Do not use fan in wet conditions or areas of high humidity.
- Do not insert objects through guard bars.
- Do not alter angle of fan blades.
- Do not use this fan if any parts are damaged or missing.
- If the main electrical leads are damaged, they should only be replaced by a qualified electrician.
- This appliance has a polarized plug (one blade is wider than the other). To reduce the risk of electric shock, this plug is intended to fit in a polarized outlet only one way. If the plug does not fit fully in the outlet, reverse the plug. If it still does not fit, contact a qualified electrician. Do not attempt to defeat this safety feature
- This product employs overload protection (fuse). A blown fuse indicates an overload or short-circuit situation. If the fuse blows, unplug the product from the outlet. Replace the fuse as per the user servicing instructions (follow product marking for proper fuse rating) and check the product. If the replacement fuse blows, a short-circuit may be present and the product should be discarded or returned to an authorized service facility for examination and/or repair.
- Risk of fire. Do not replace attachment plug. Contains a safety device (fuse) that should not be removed. Discard product if the attachment plug is damaged.
- Do not operate any fan with a damaged cord or plug. Discard fan or return to an authorized service facility for examination and/or repair.
- Do not run cord under carpeting. Do not cover cord with throw rugs, runners, or similar coverings. Do not route cord under furniture or appliances. Arrange cord away from traffic area and where it will not be tripped over.

**WARNING:** To Reduce The Risk Of Fire Or Electric Shock, Do Not Use This Fan With Any Solid-State Speed Control Device.

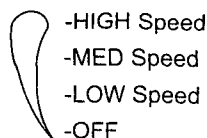
**"SUITABLE FOR USE IN DAMP LOCATIONS"**

---

#### OPERATING INSTRUCTION

1. Ensure the slide switch is in the OFF position (O). Plug electrical cord into a 120v outlet.

2. Use the large switch to select the desired speed as follows;

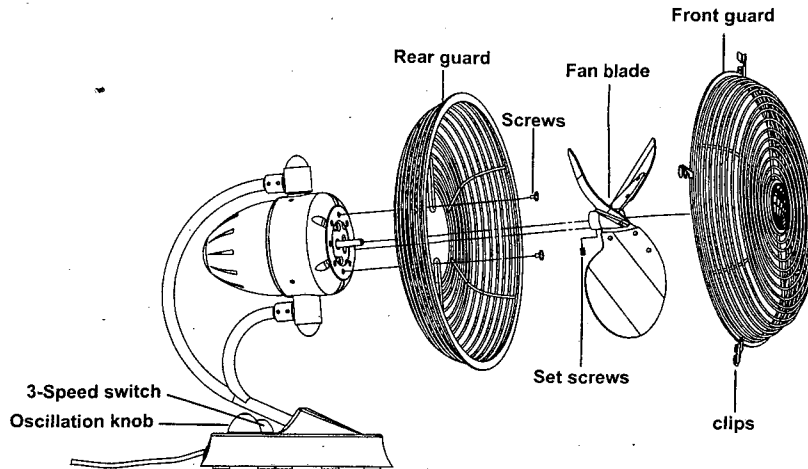


3. For oscillating operation, use the smaller switch to select oscillating or stop oscillation.

## CLEANING

1. Unplug fan and remove decorative guard and front guard. Wipe blades with a soft damp cloth, taking care not to alter the angle of the blades. If necessary use a soft brush to remove the dust from the guards, reassemble fan guards fully before use.

**NOTE:** The motor bearings are permanently sealed and do not require additional lubricating.



## USER SERVICING INSTRUCTIONS

### REPLACE THE FUSE

**CAUTION:** Grasp plug and remove from the receptacle or other outlet device. Do not unplug by pulling on cord.

Step 1: Use flat screwdriver to move the Plastic Cover out and then remove the fuse. (FIG.1)

Step 2: Replace a new fuse by using flat screwdriver. (FIG.2)

**WARNING:** Risk of fire. Replace fuse only with 2.5 Amp, 125 Volt fuse.

Step 3: Push the Plastic Cover back. (FIG.3)

