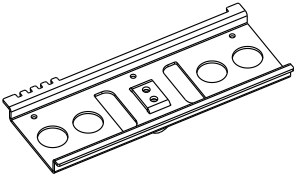
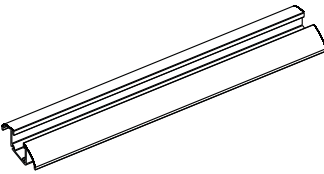
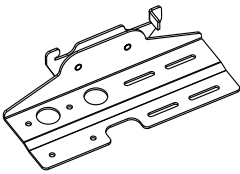
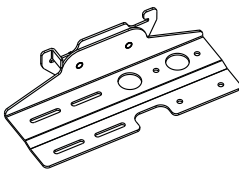
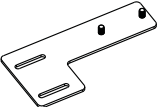
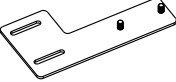
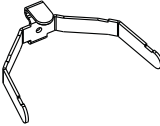
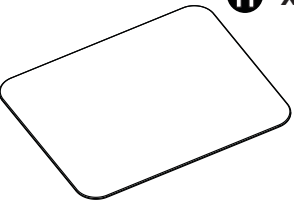
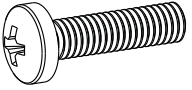
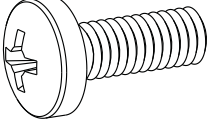
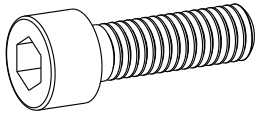
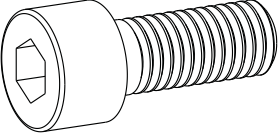
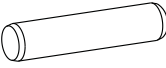
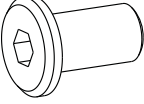
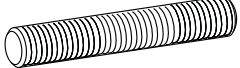
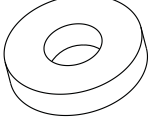


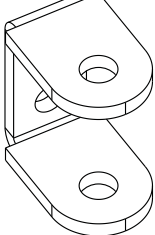
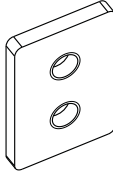
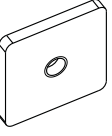




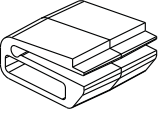
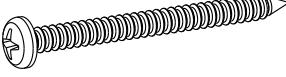

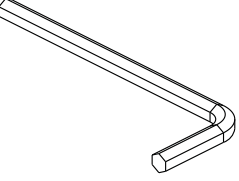
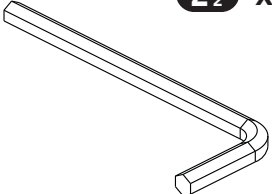
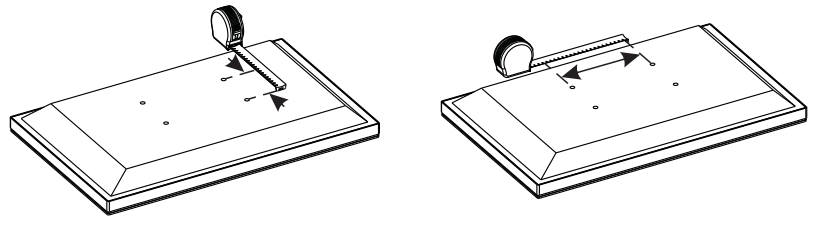
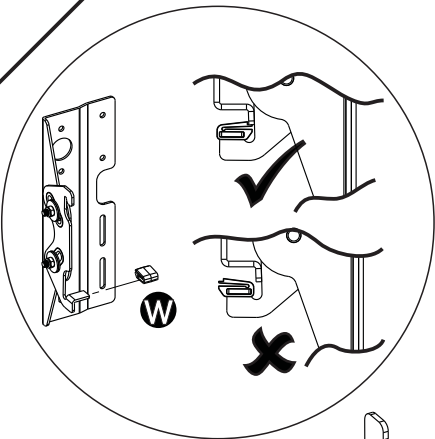
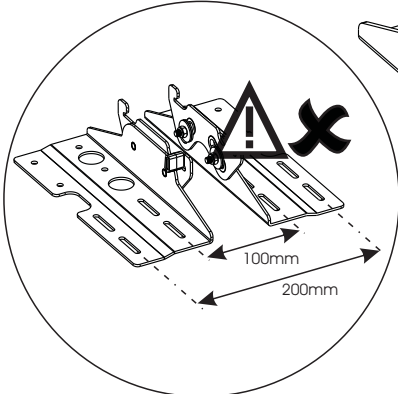
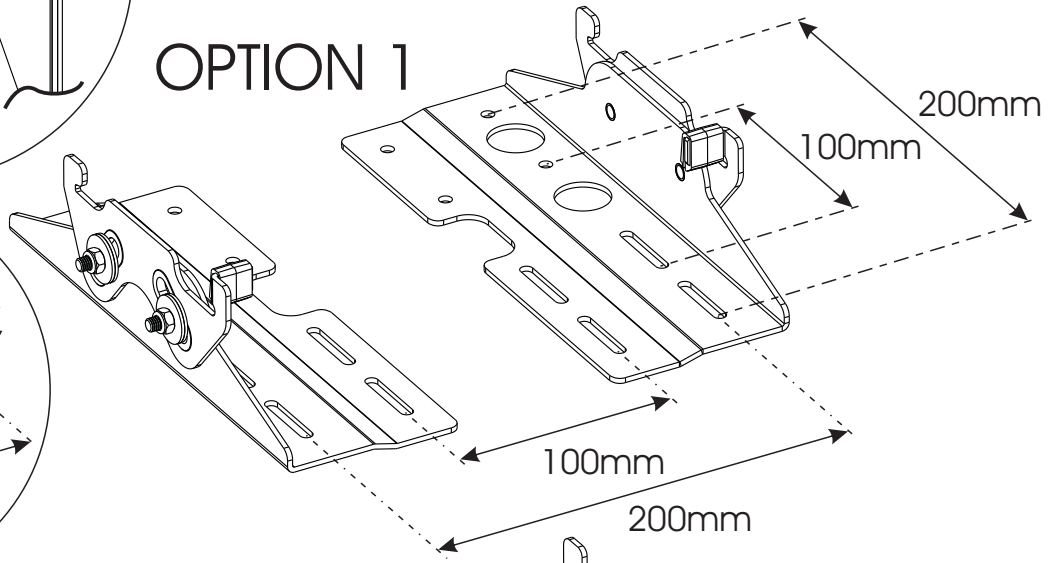


<p>A x1</p> 	<p>B x2</p> 	<p>C x1</p> 	<p>D x1</p> 
<p>E x1</p> 	<p>F x1</p> 	<p>G x2</p> 	<p>H x2</p> 
<p>M4x16</p> <p>I₁ x4</p> 	<p>M6x16</p> <p>I₂ x4</p> 	<p>M6x20</p> <p>I₃ x2</p> 	<p>M8x20</p> <p>I₄ x2</p> 
<p>J x2</p> 	<p>K x2</p> 	<p>L x1</p> 	<p>M x4</p> 
<p>N x4</p> 	<p>O x4</p> 	<p>P x1</p> 	<p>Q x1</p> 
<p>R x2</p> 	<p>S x1</p> 	<p>T x2</p> 	<p>U x2</p> 
<p>V x8</p> 	<p>W x2</p> 	<p>X x5</p> 	<p>Y x5</p> 
<p>5mm</p> <p>Z₁ x2</p> 	<p>6mm</p> <p>Z₂ x1</p> 		

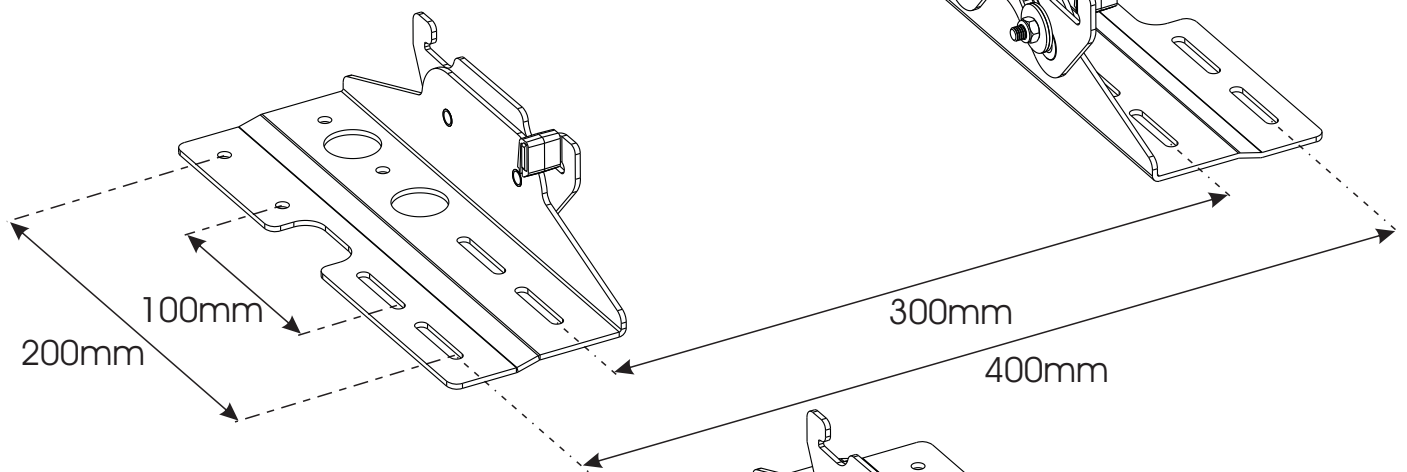
1



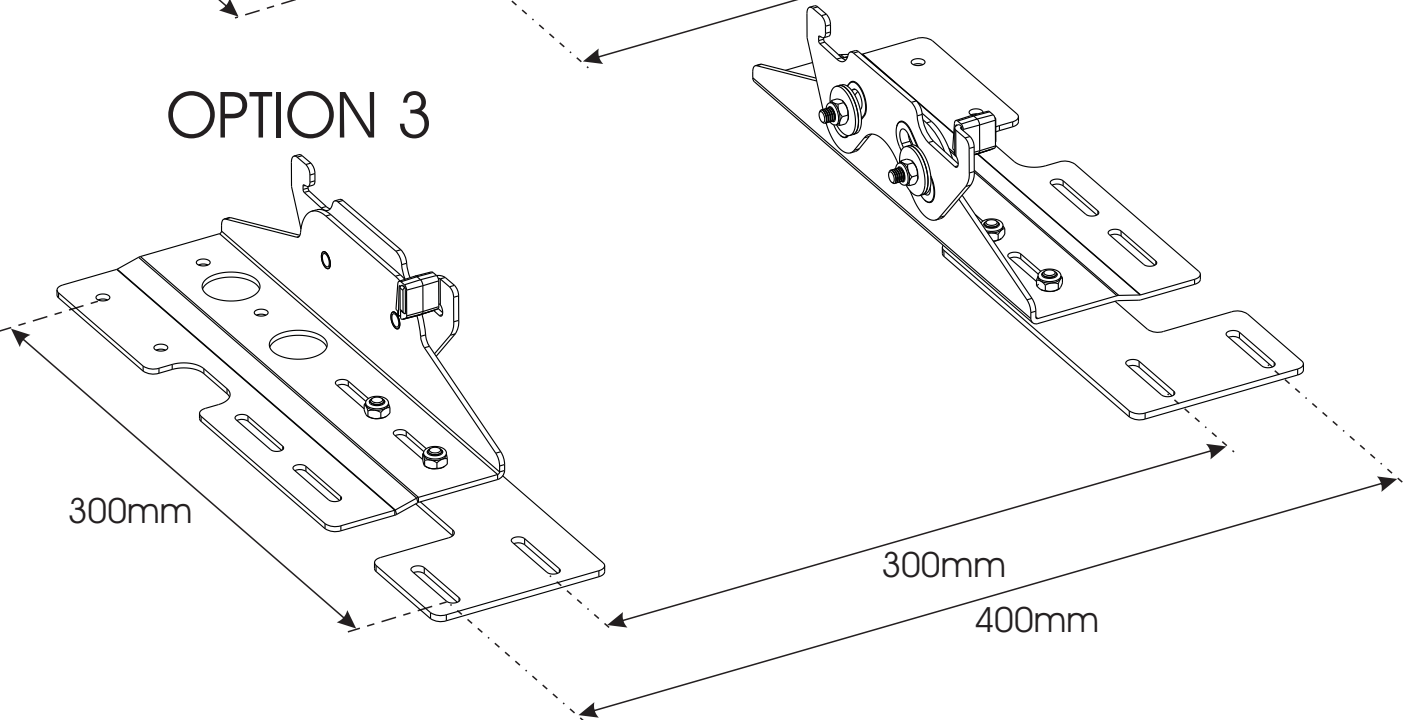
OPTION 1

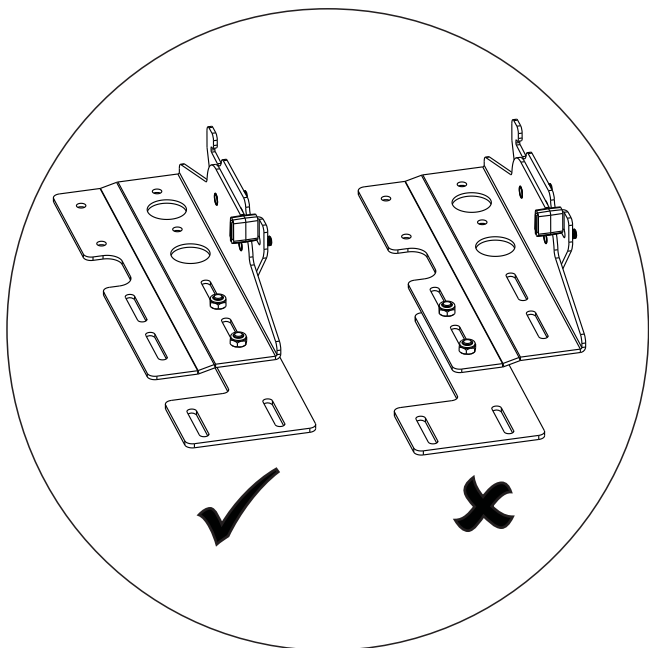
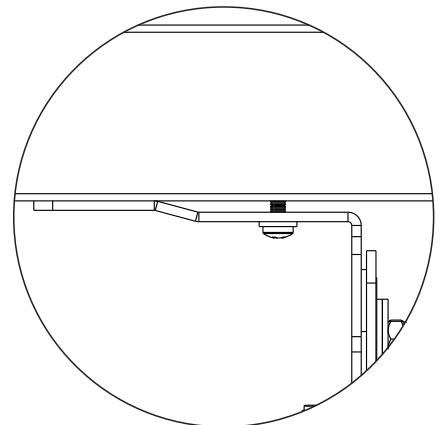
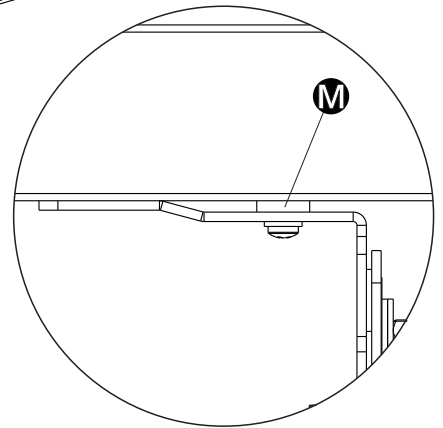
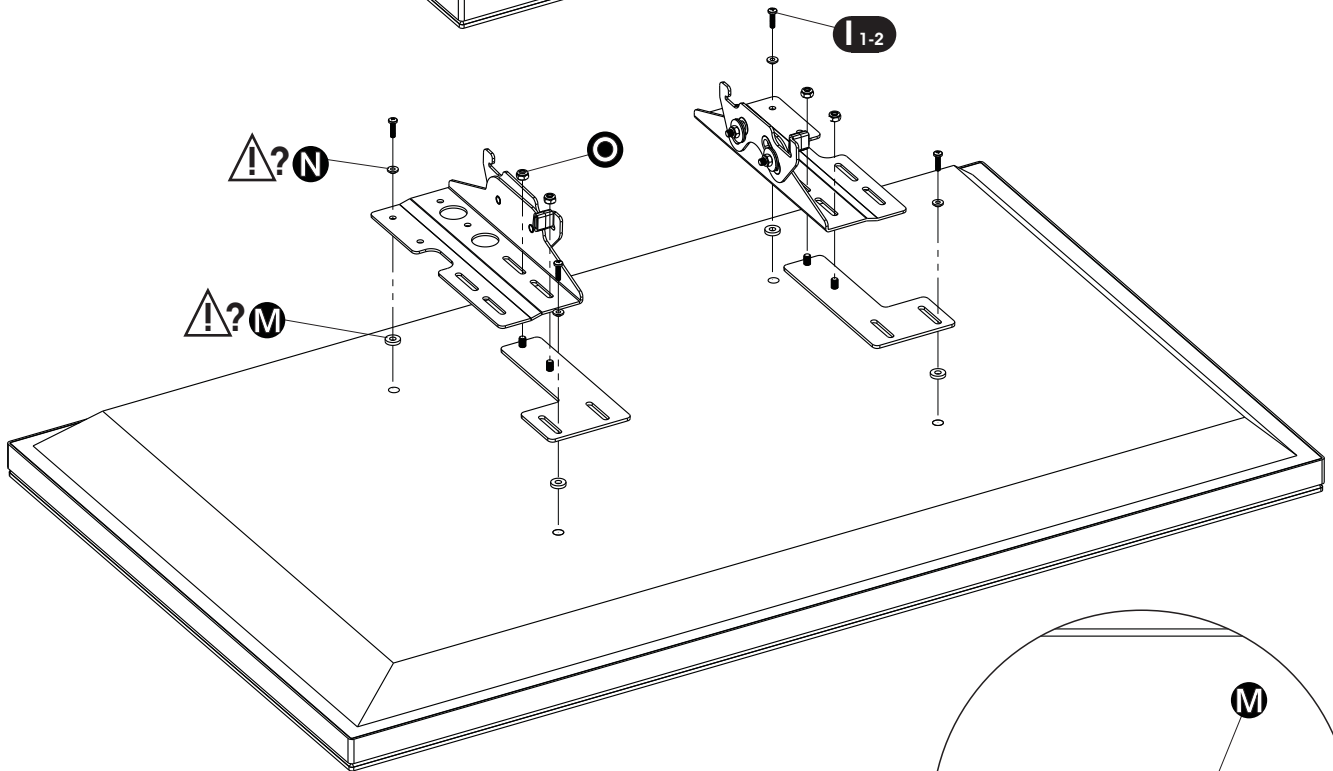
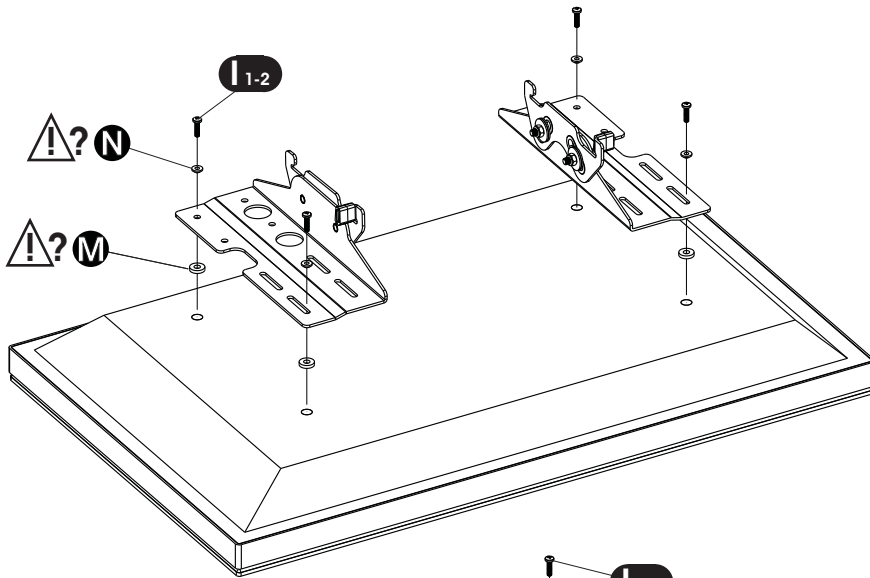


OPTION 2

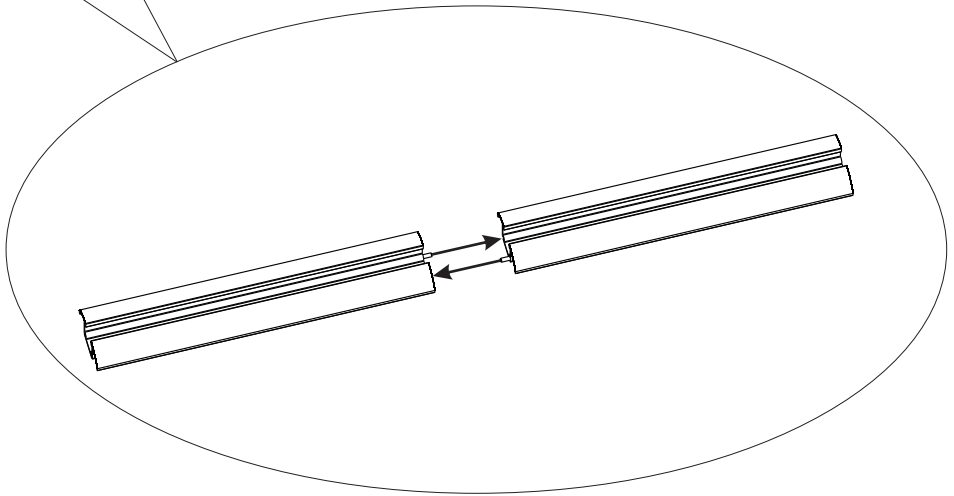
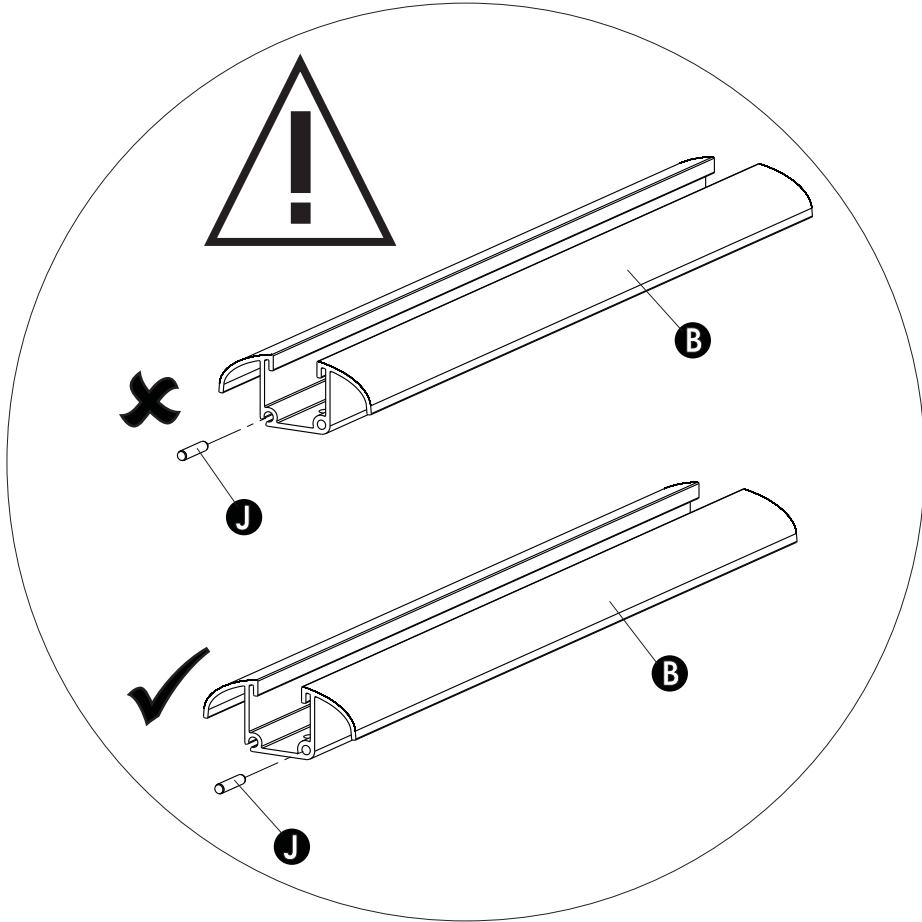
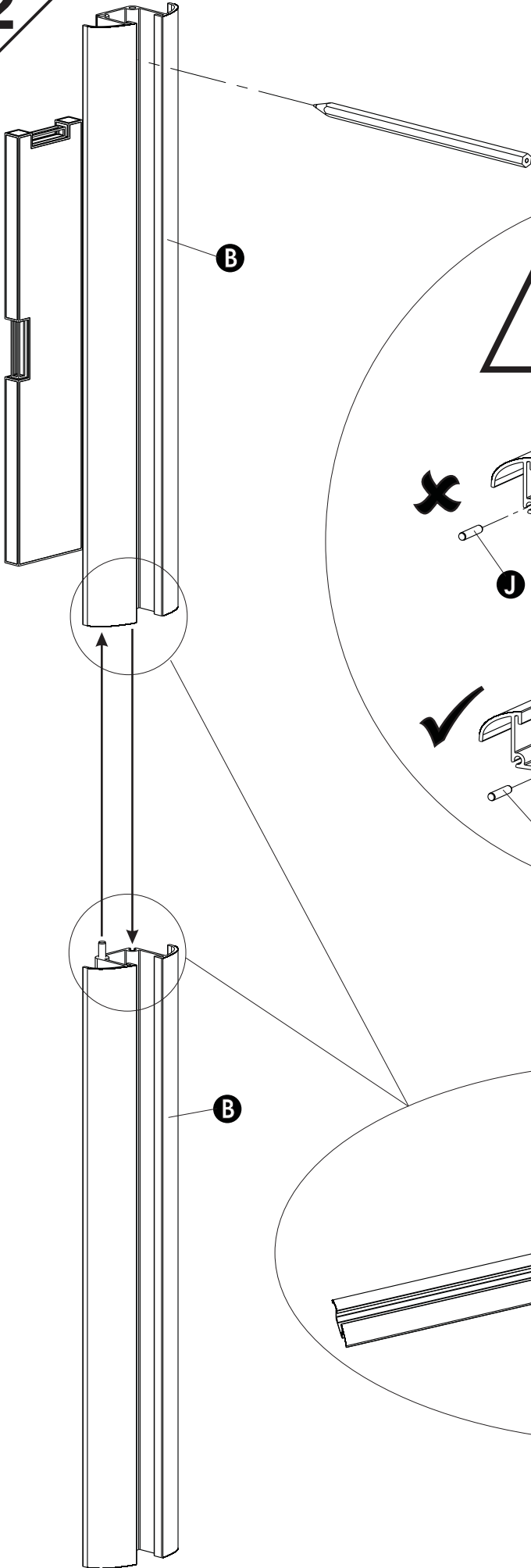


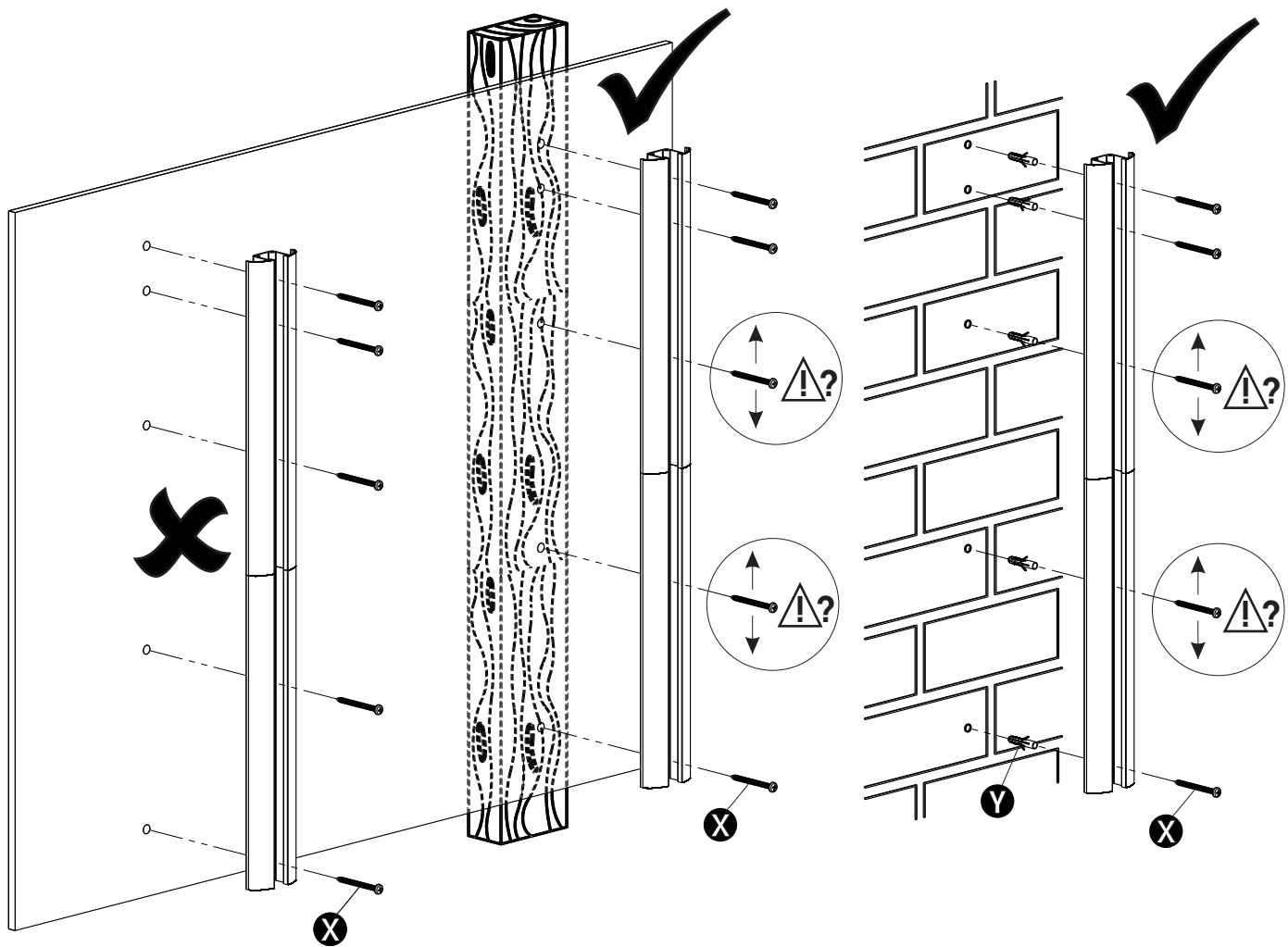
OPTION 3





2



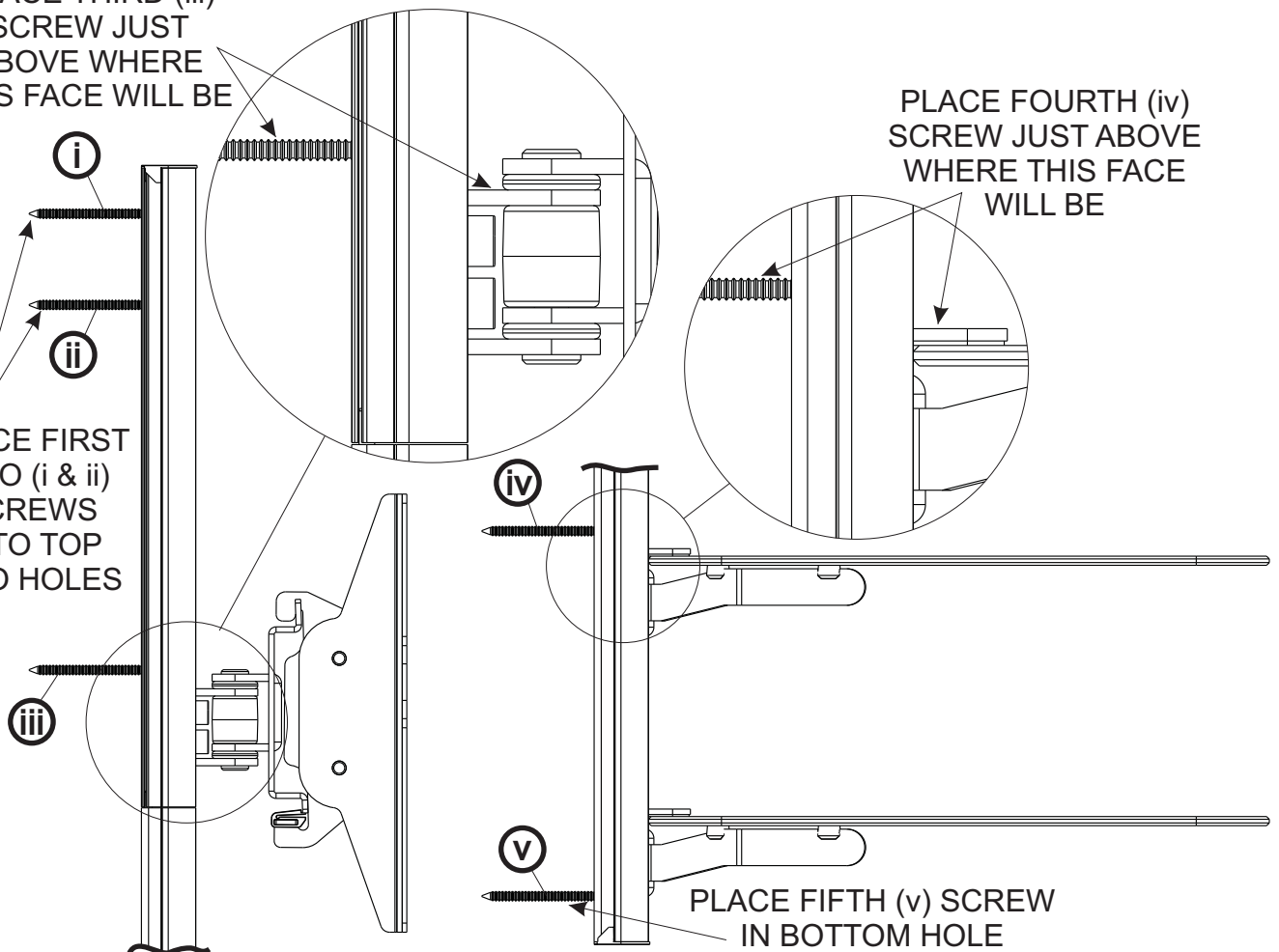


PLACE THIRD (iii)
SCREW JUST
ABOVE WHERE
THIS FACE WILL BE

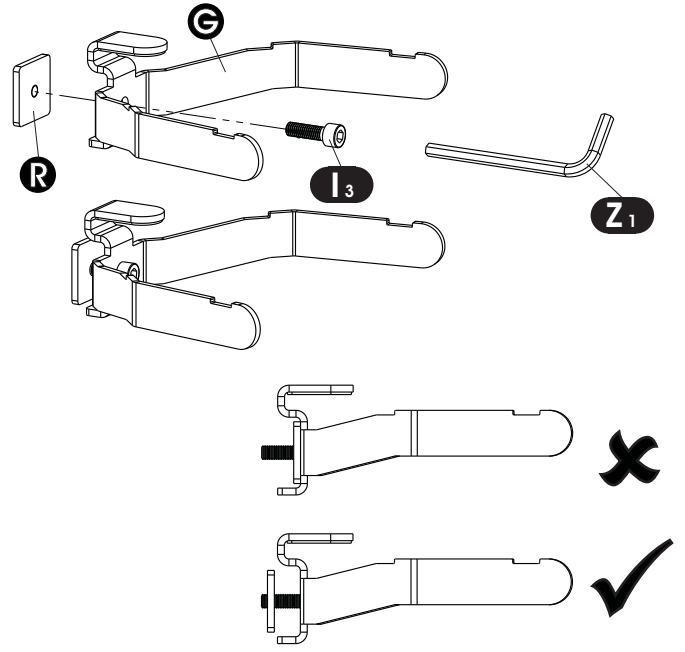
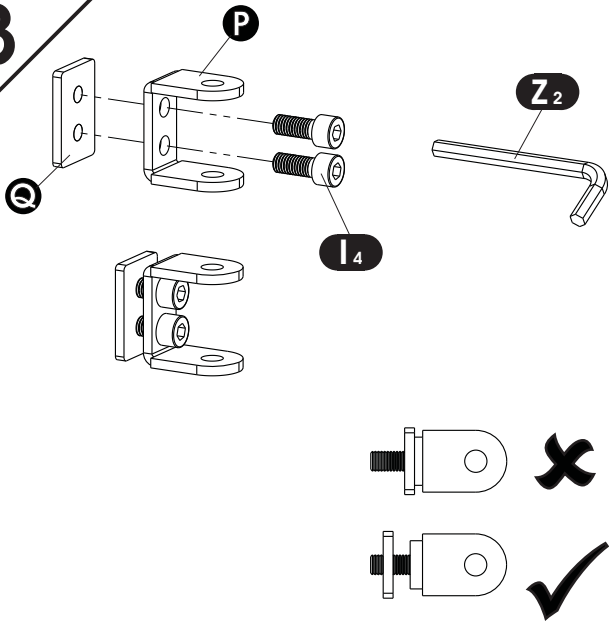
PLACE FOURTH (iv)
SCREW JUST ABOVE
WHERE THIS FACE
WILL BE

PLACE FIRST
TWO (i & ii)
SCREWS
INTO TOP
TWO HOLES

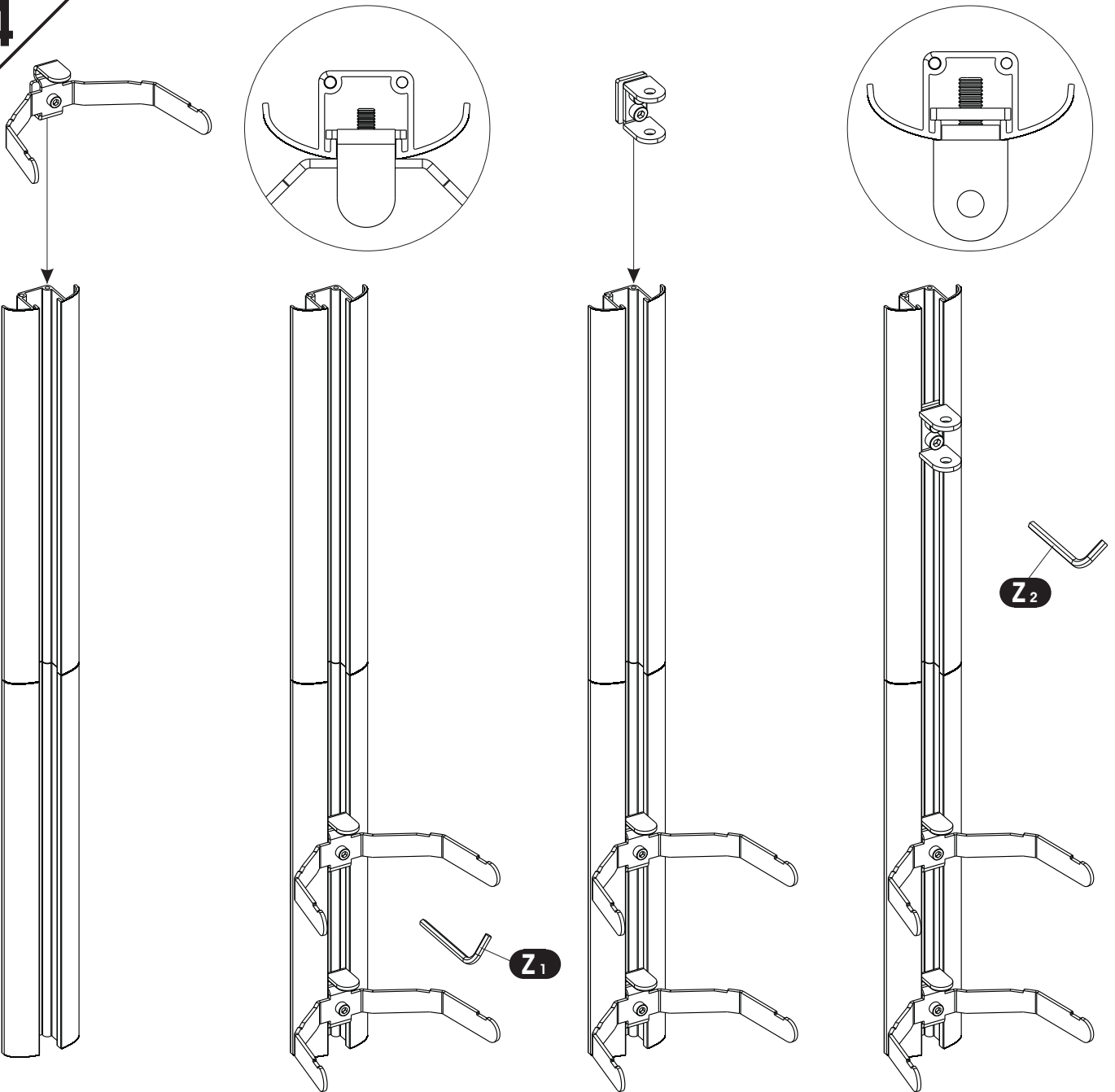
PLACE FIFTH (v) SCREW
IN BOTTOM HOLE



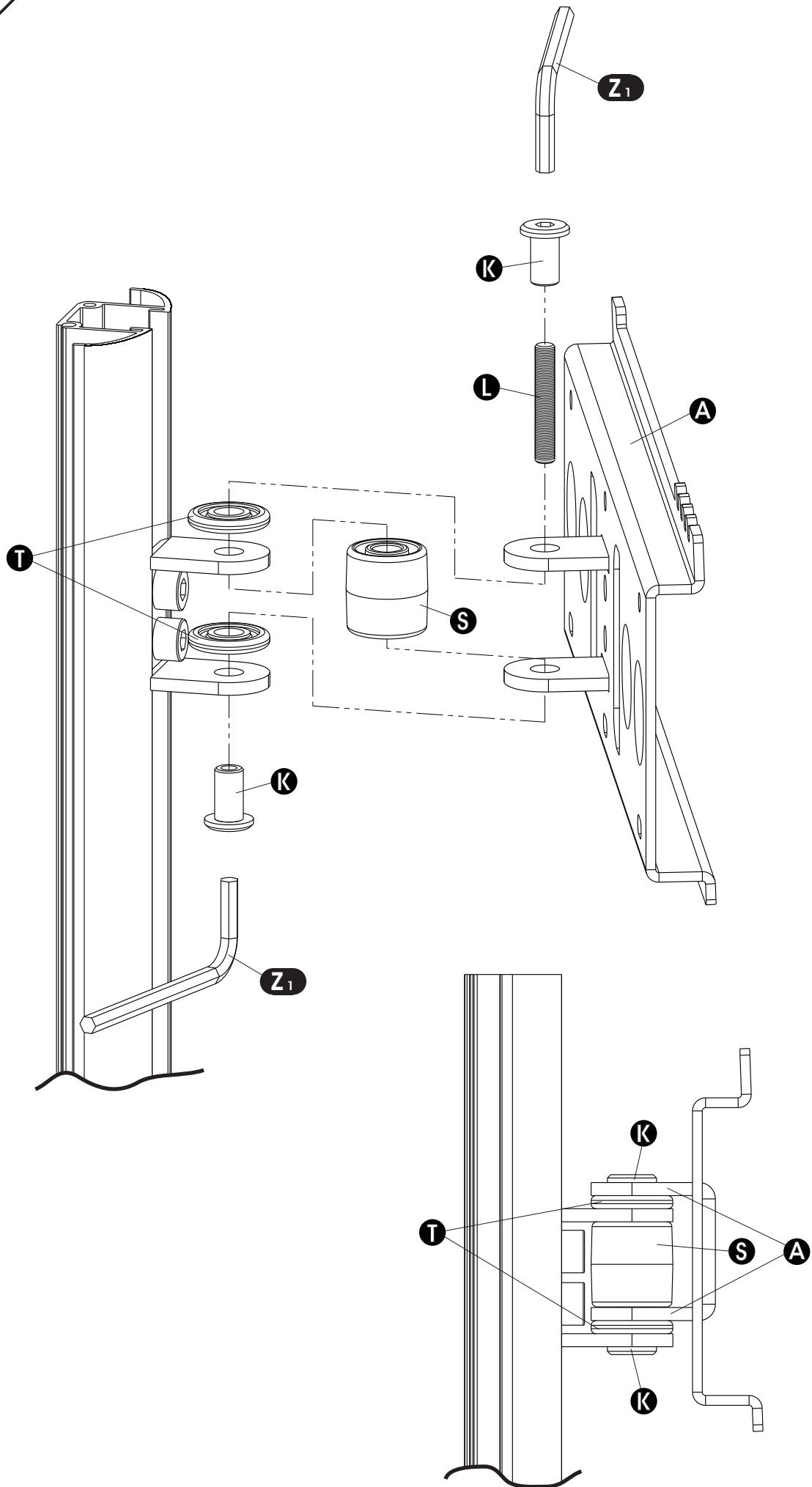
3



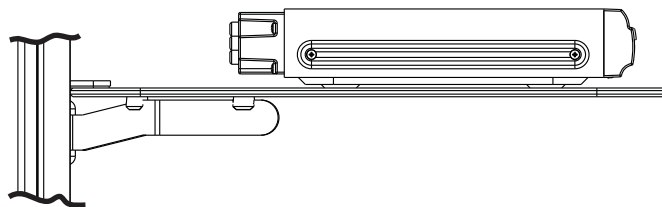
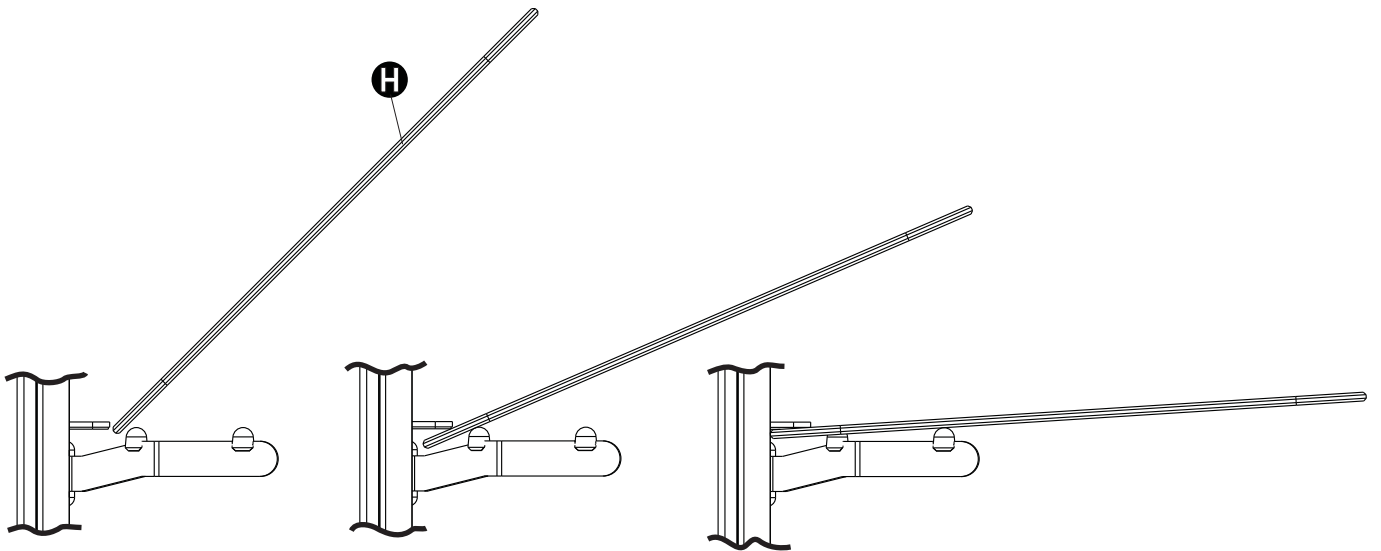
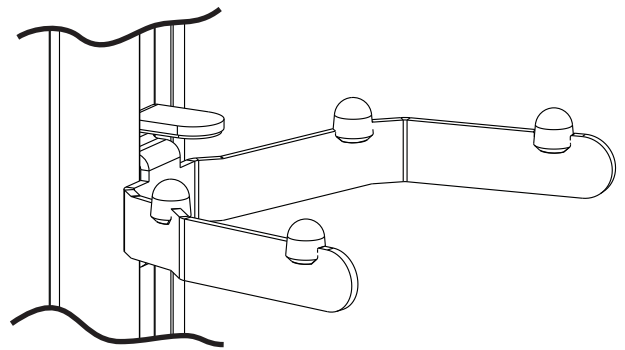
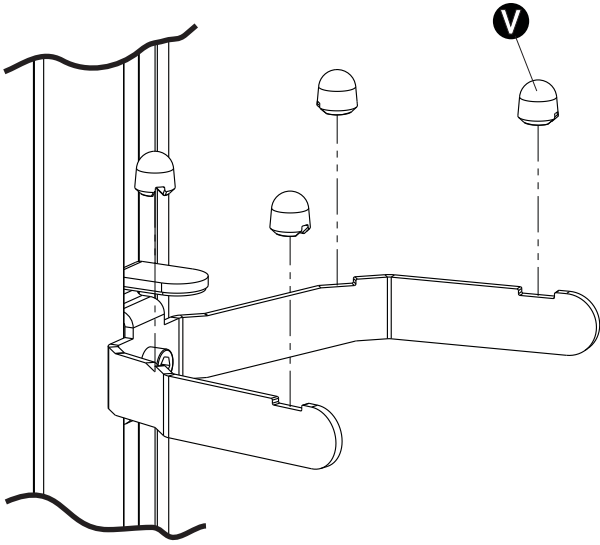
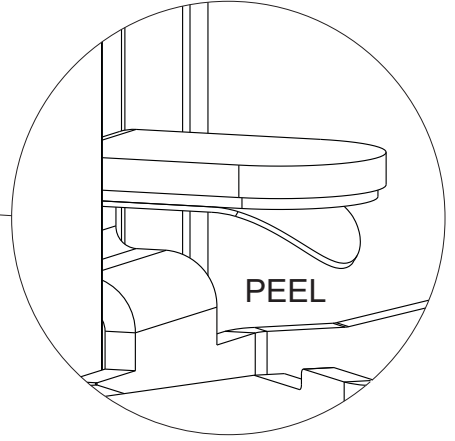
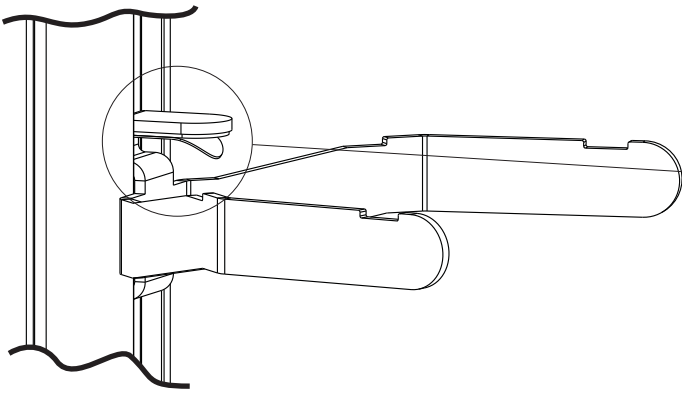
4



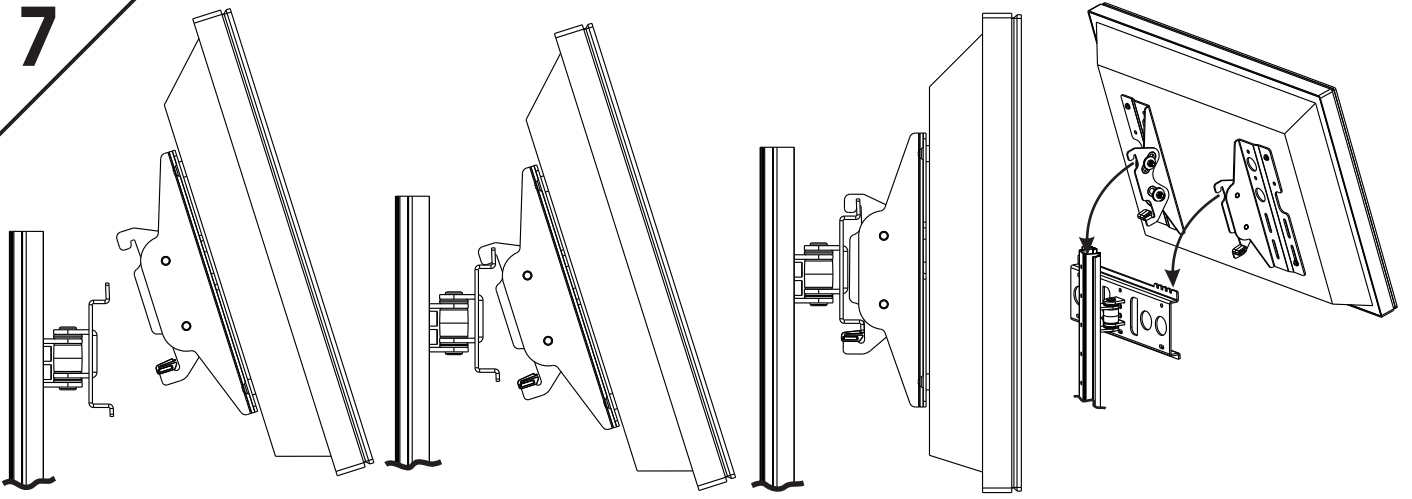
5



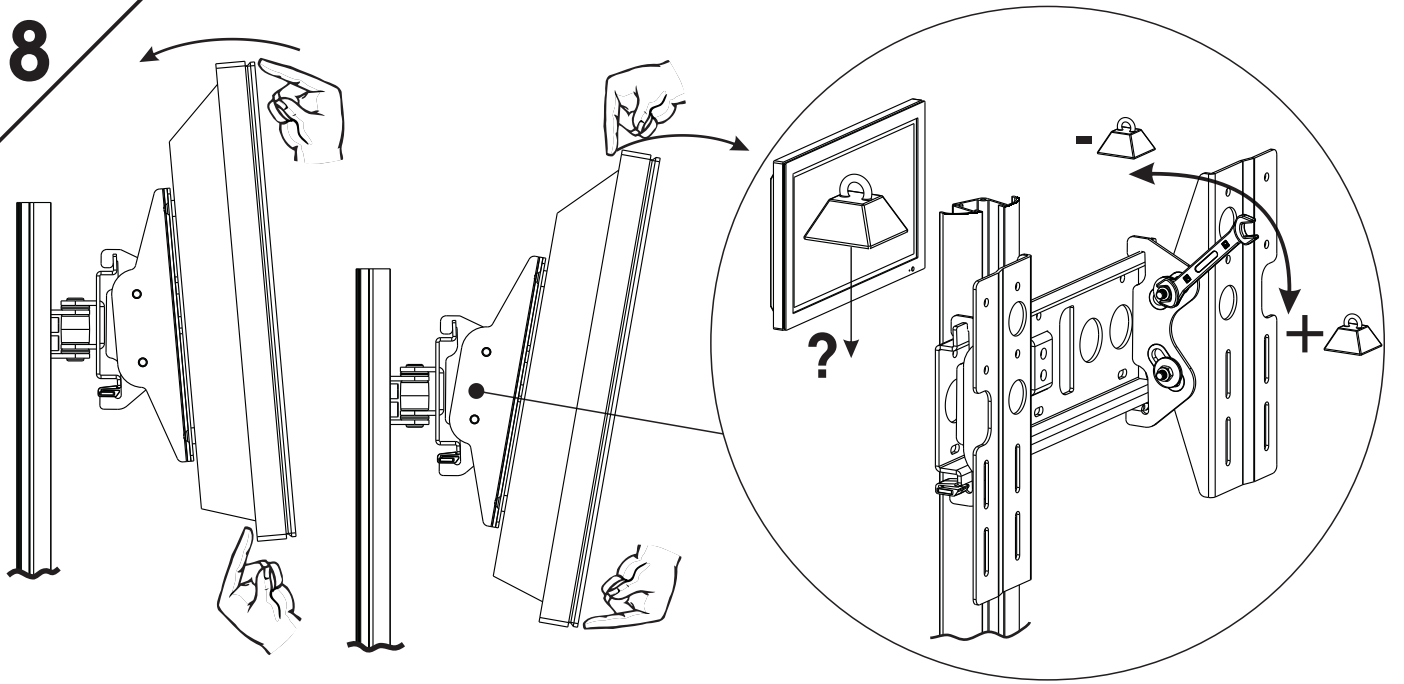
6



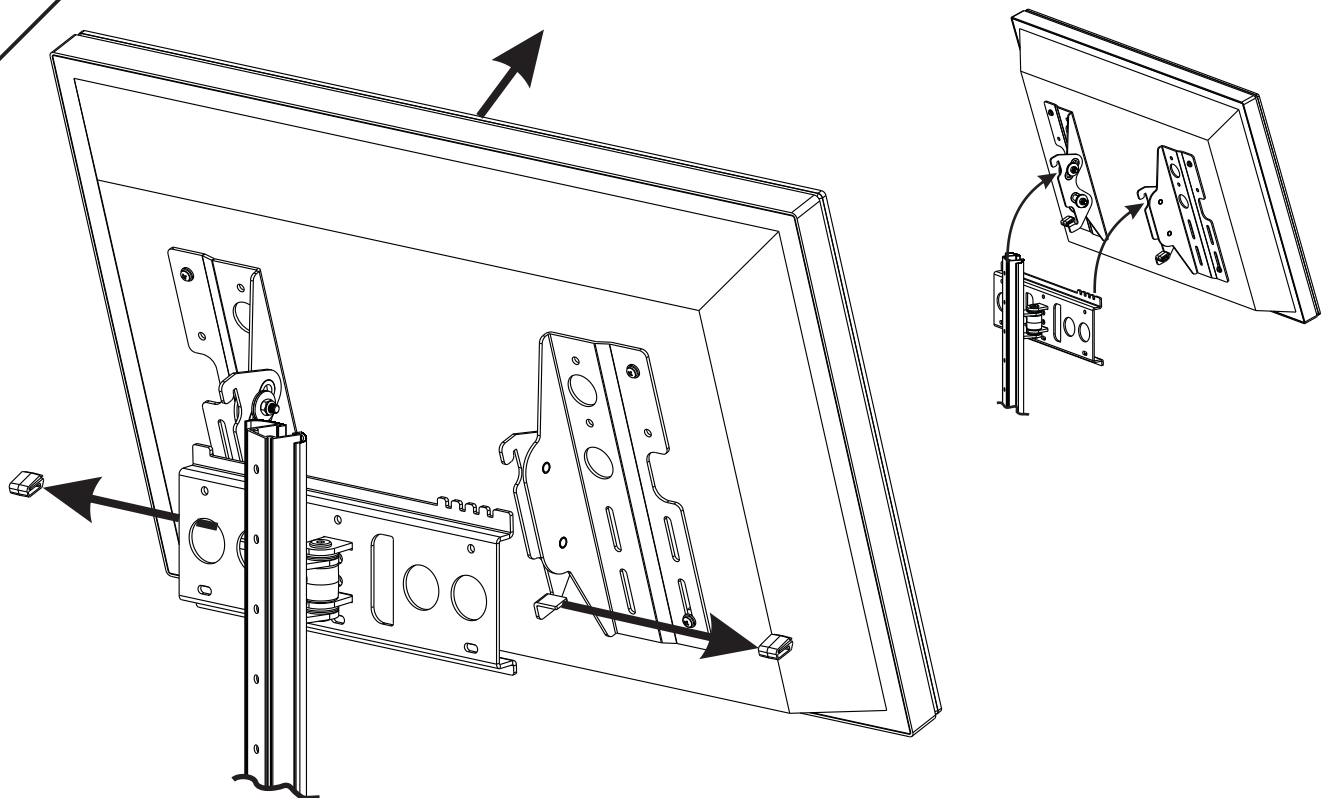
7



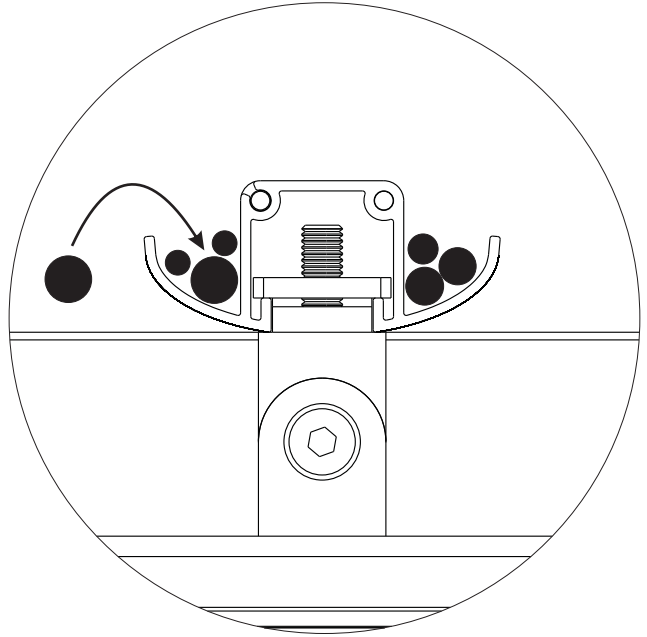
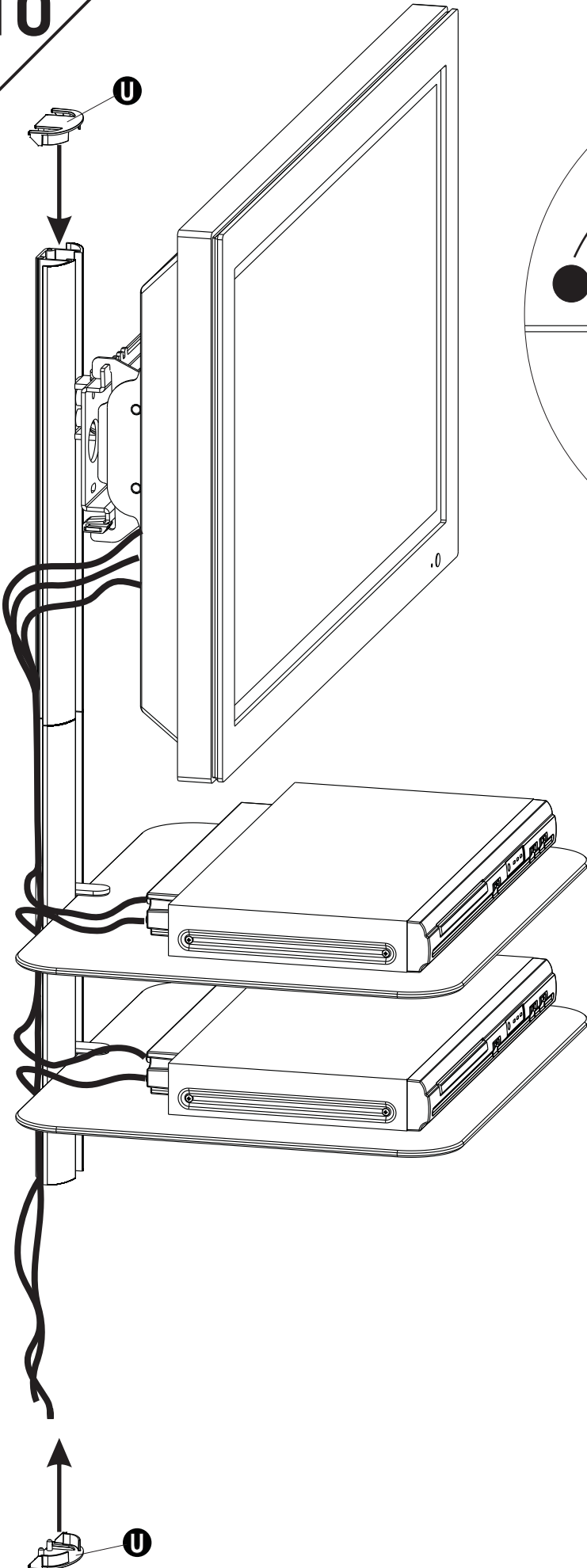
8

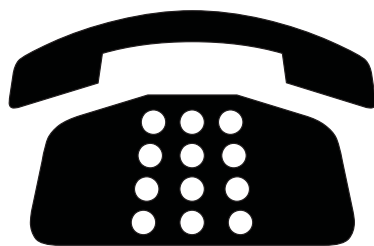


9



10





AVF Group Ltd.
Road 30, Hortonwood Industrial Estate,
Telford, Shropshire, TF1 7YE, England.

+44 (0) 1952 670009
0870 0609777 (UK)

AVF Incorporated.
3187, Cornerstone Drive,
Mira Loma, CA 91752, USA.

1-800 667 0808 (USA)

Orbital Holdings Inc.
3187, Cornerstone Drive,
Mira Loma, CA 91752, USA.

1-800 601 8450 (USA)