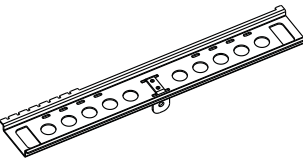

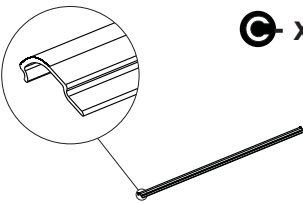
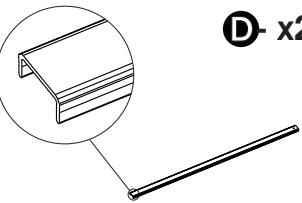
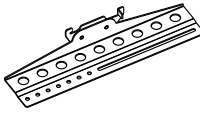
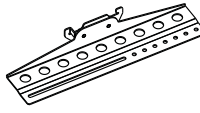
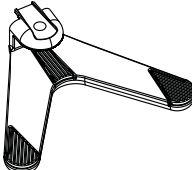
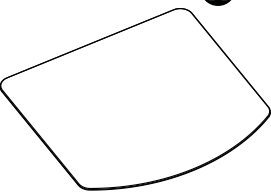
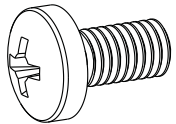
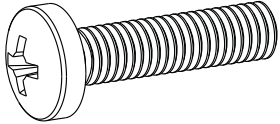
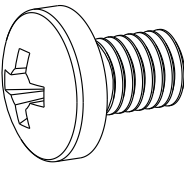
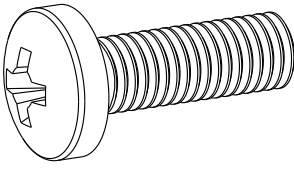
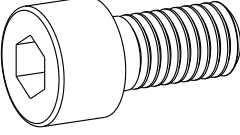
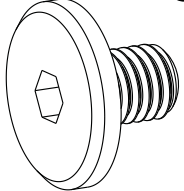
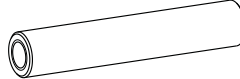
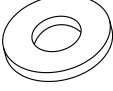
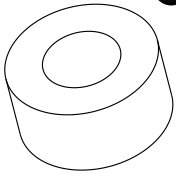
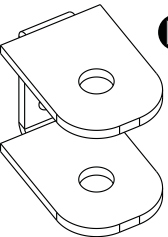
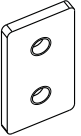
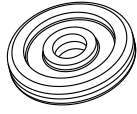
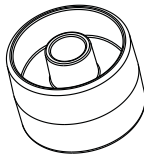

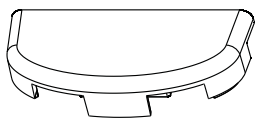
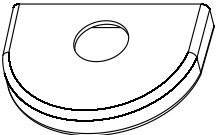
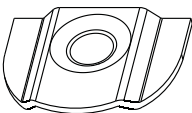

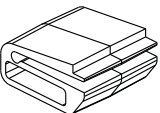
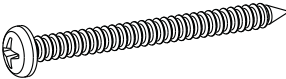

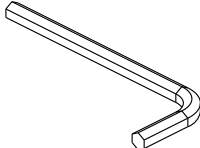
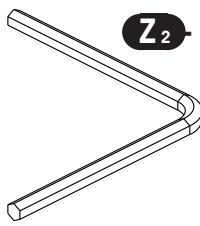
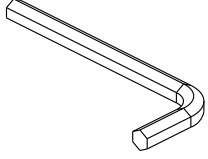
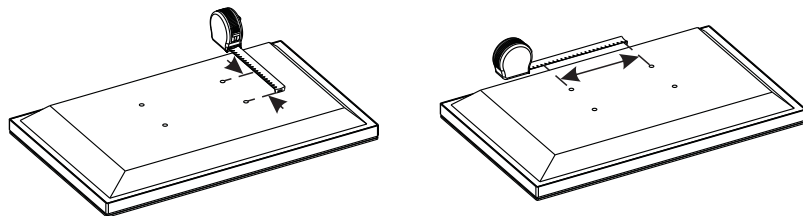
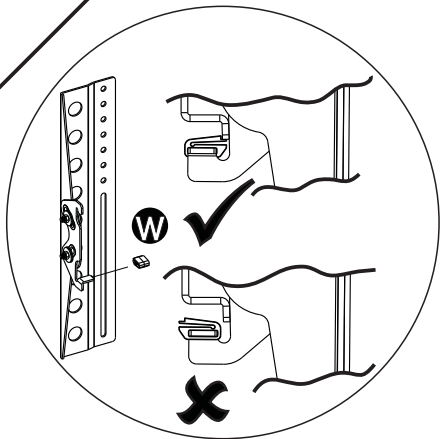
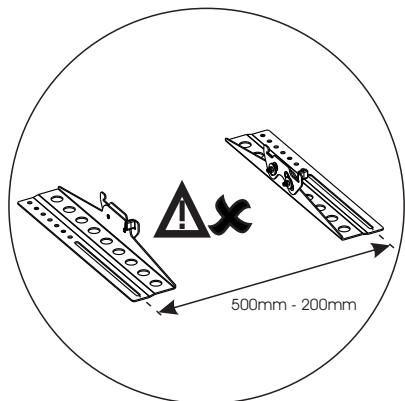
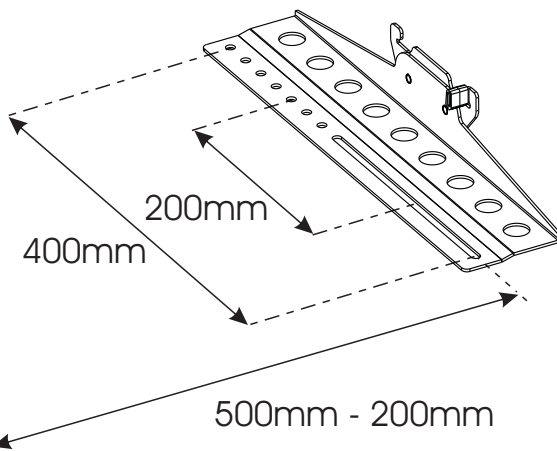


<p><b>A</b> x1</p> 	<p><b>B</b> x2</p> 	<p><b>C</b> x4</p> 	<p><b>D</b> x2</p> 
<p><b>E</b> x1</p> 	<p><b>F</b> x1</p> 	<p><b>G</b> x2</p> 	<p><b>H</b> x2</p> 
<p>M6x12</p> <p><b>I<sub>1</sub></b> x4</p> 	<p>M6x25</p> <p><b>I<sub>2</sub></b> x4</p> 	<p>M8x12</p> <p><b>I<sub>3</sub></b> x4</p> 	<p>M8x25</p> <p><b>I<sub>4</sub></b> x4</p> 
<p>M8x16</p> <p><b>I<sub>5</sub></b> x2</p> 	<p><b>J</b> x2</p> 	<p><b>K</b> x1</p> 	<p><b>L</b> x4</p> 
<p><b>M</b> x4</p> 	<p><b>N</b> x1</p> 	<p><b>O</b> x1</p> 	<p><b>P</b> x2</p> 
<p><b>Q</b> x1</p> 	<p><b>R</b> x2</p> 	<p><b>S</b> x2</p> 	<p><b>T</b> x2</p> 
<p><b>U</b> x2</p> 	<p><b>V</b> x2</p> 	<p><b>W</b> x2</p> 	<p><b>X</b> x5</p> 
<p><b>Y</b> x5</p> 	<p>5mm</p> <p><b>Z<sub>1</sub></b> x1</p> 	<p>5mm</p> <p><b>Z<sub>2</sub></b> x1</p> 	<p>6mm</p> <p><b>Z<sub>3</sub></b> x1</p> 

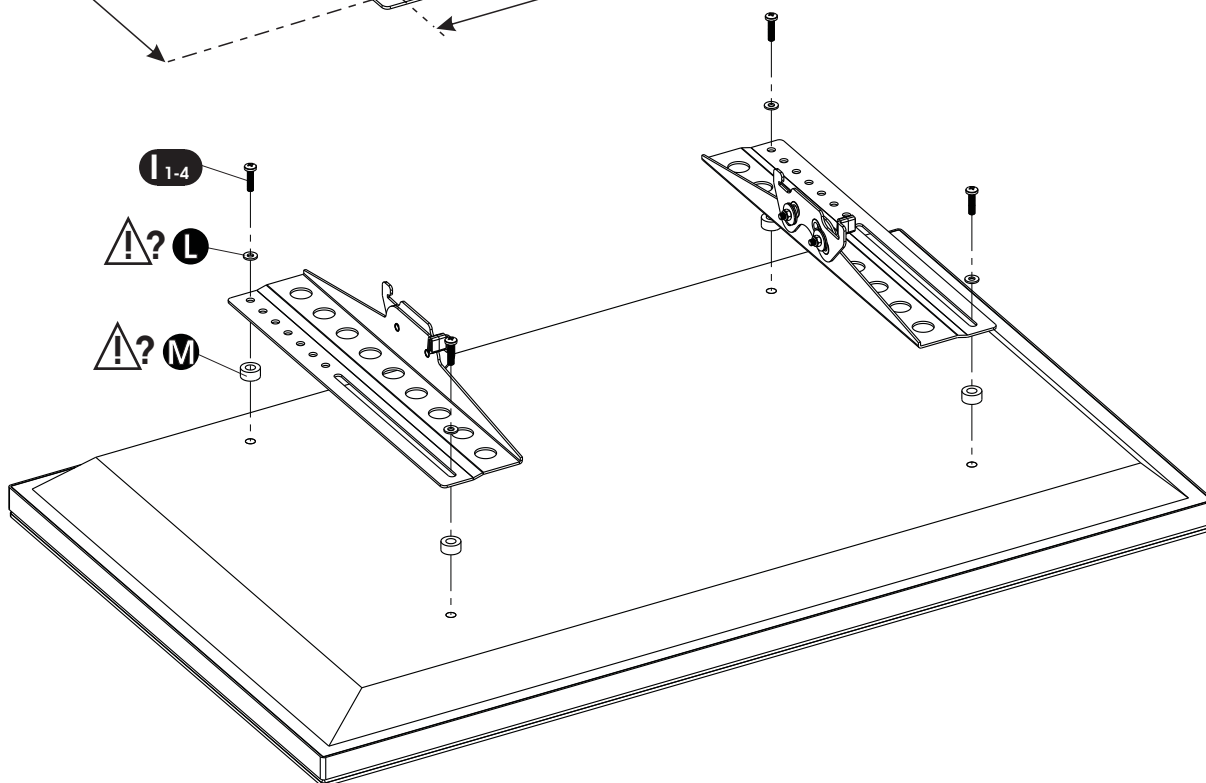
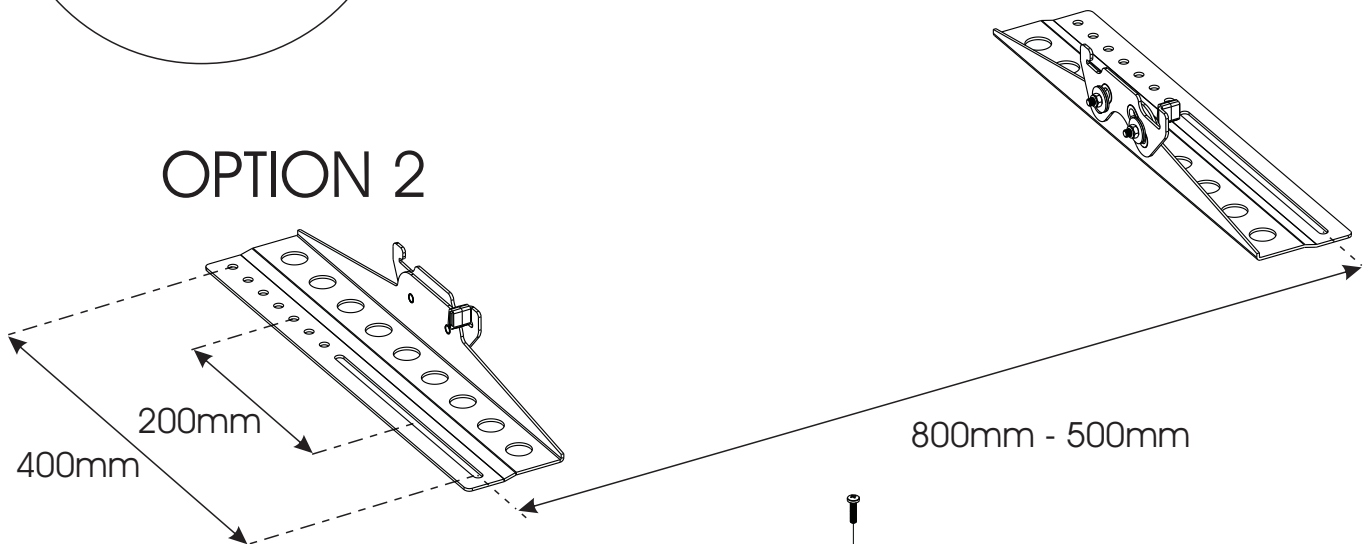
1



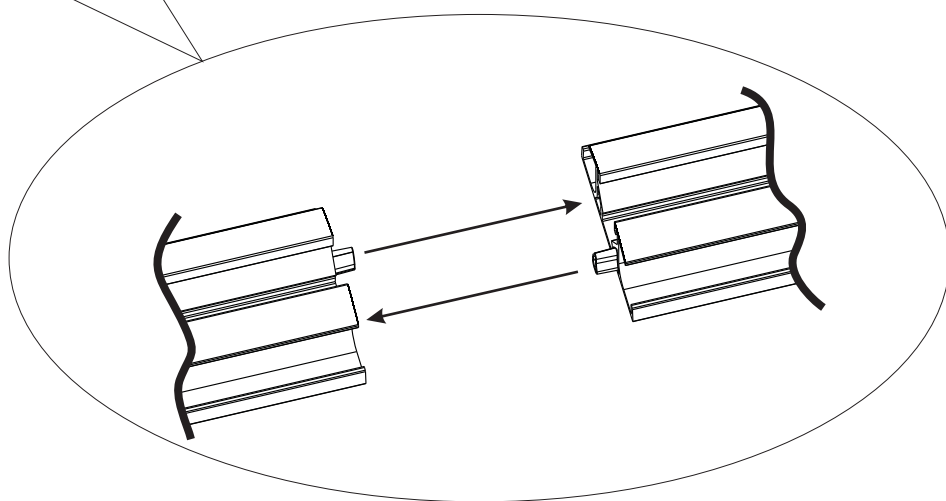
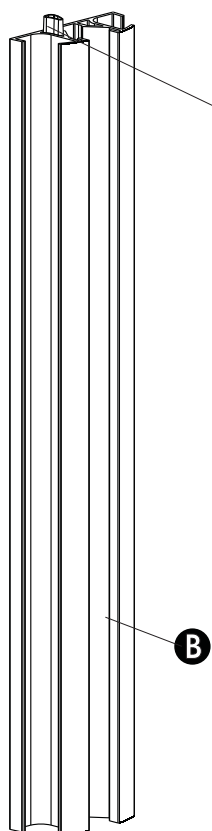
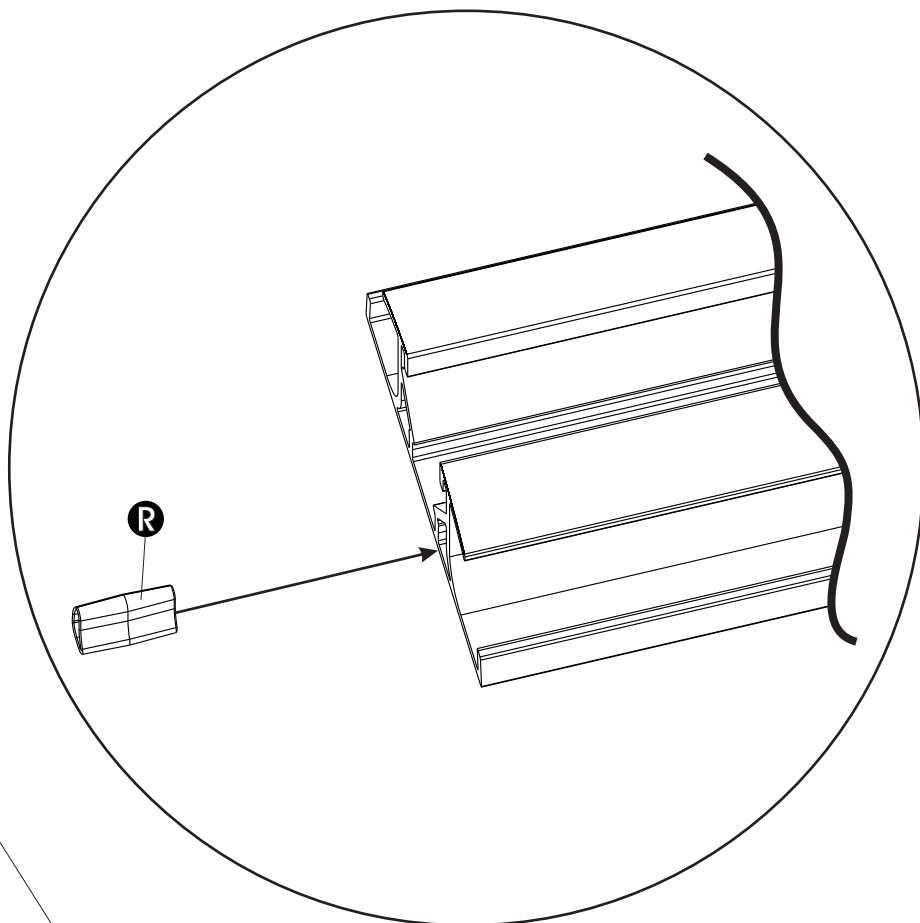
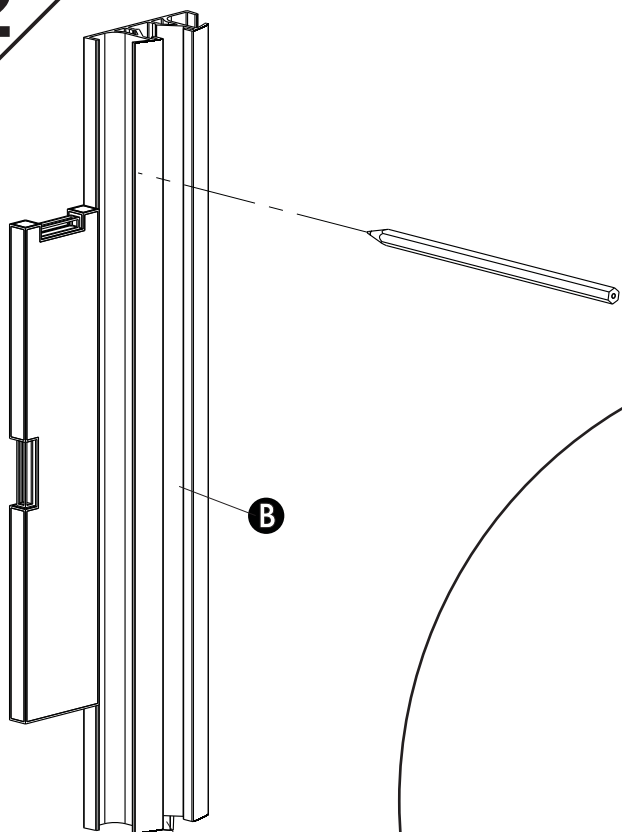
### OPTION 1

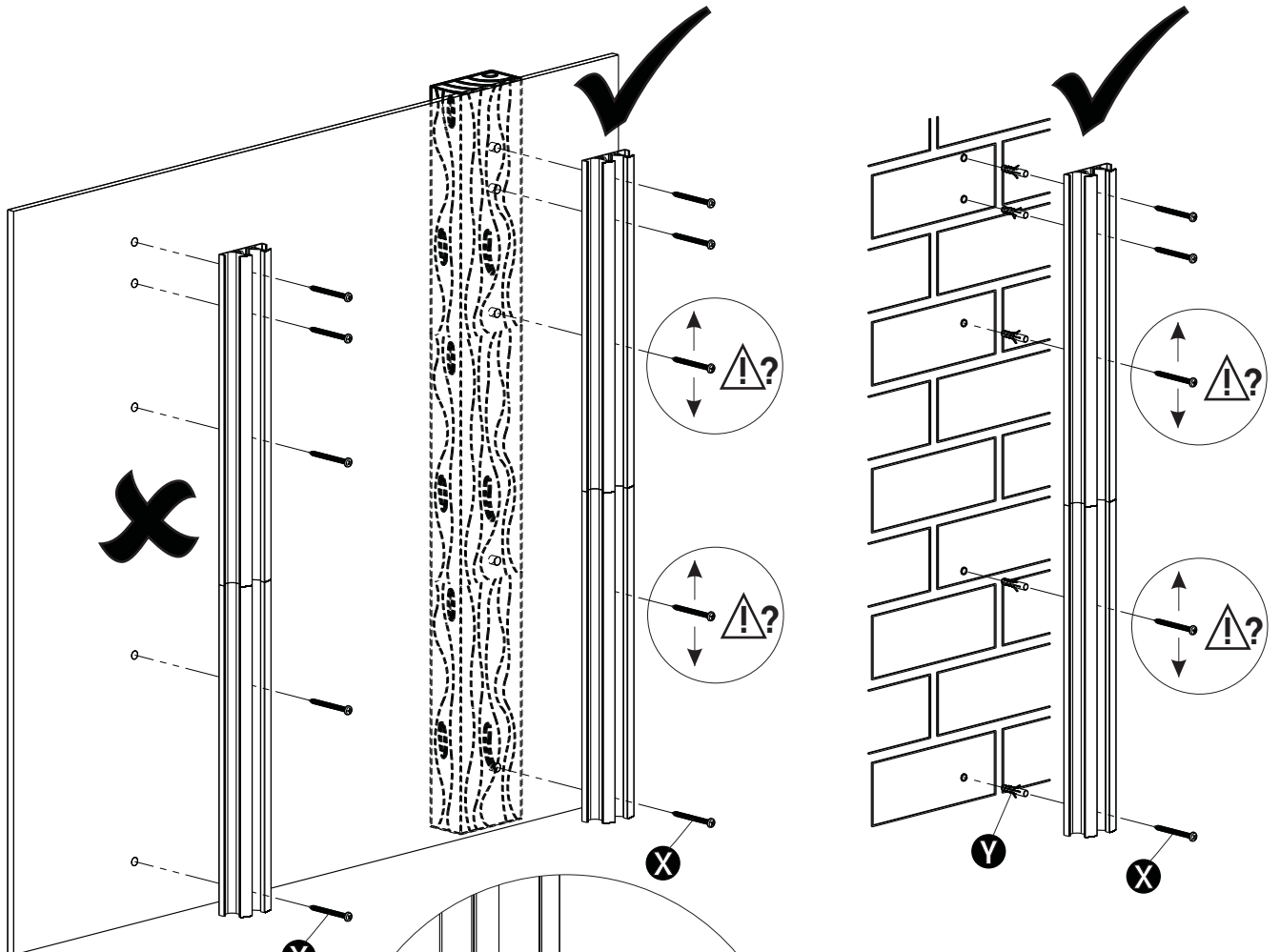


### OPTION 2



2



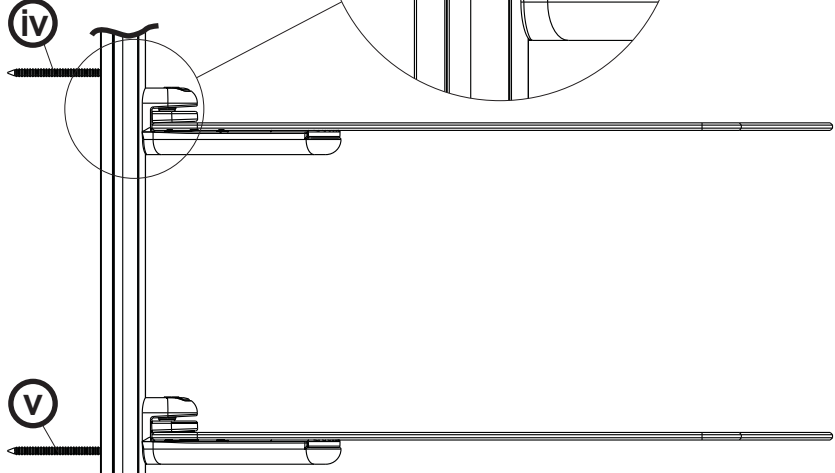
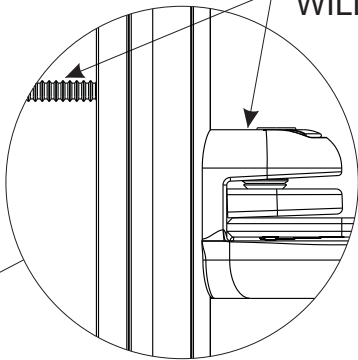
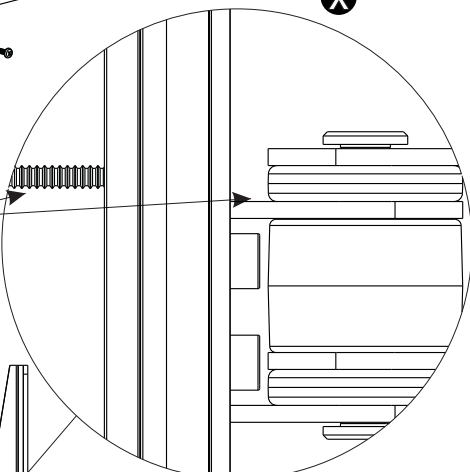
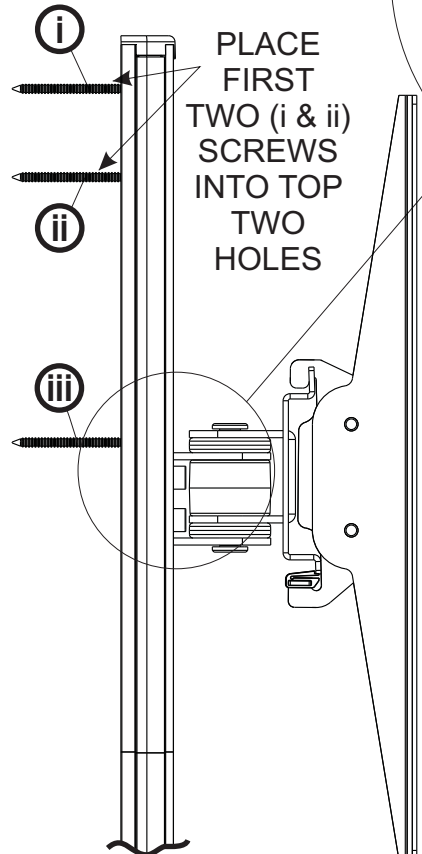


PLACE THIRD (iii) SCREW JUST ABOVE WHERE THIS FACE WILL BE

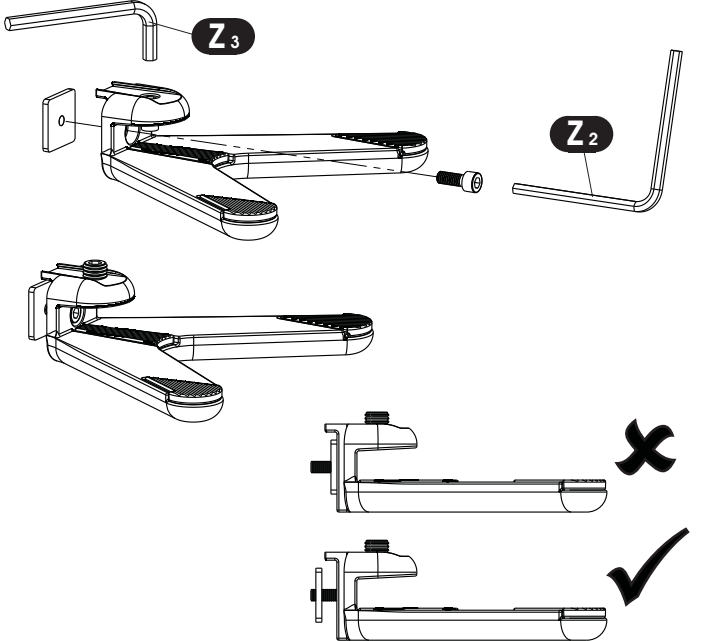
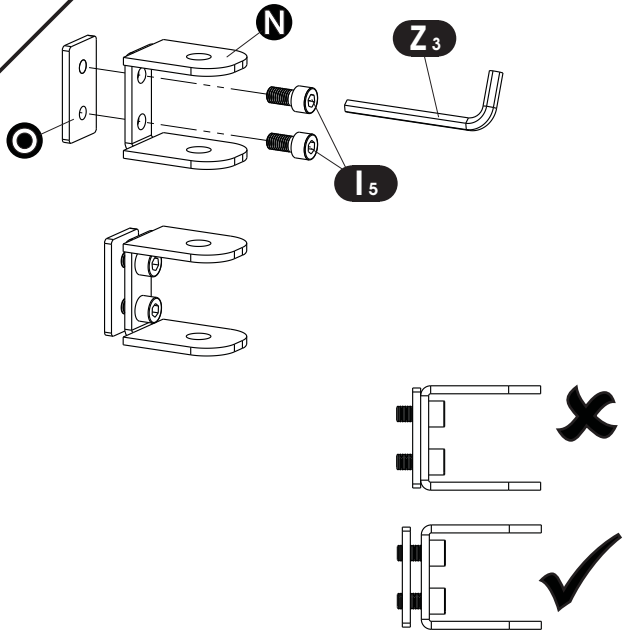
PLACE FOURTH (iv) SCREW JUST ABOVE WHERE THIS FACE WILL BE

PLACE FIRST TWO (i & ii) SCREWS INTO TOP TWO HOLES

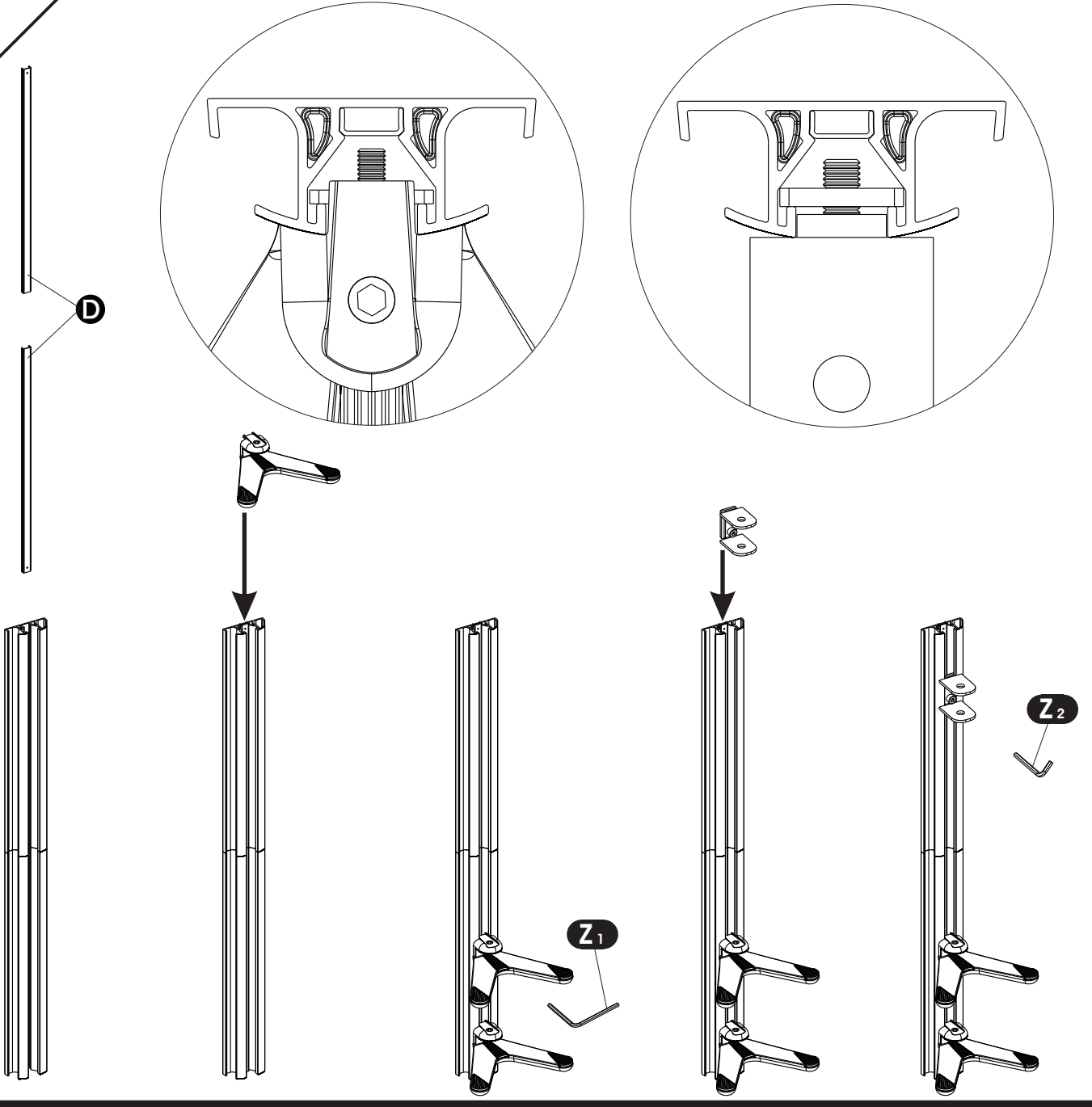
PLACE FIFTH (v) SCREW IN BOTTOM HOLE



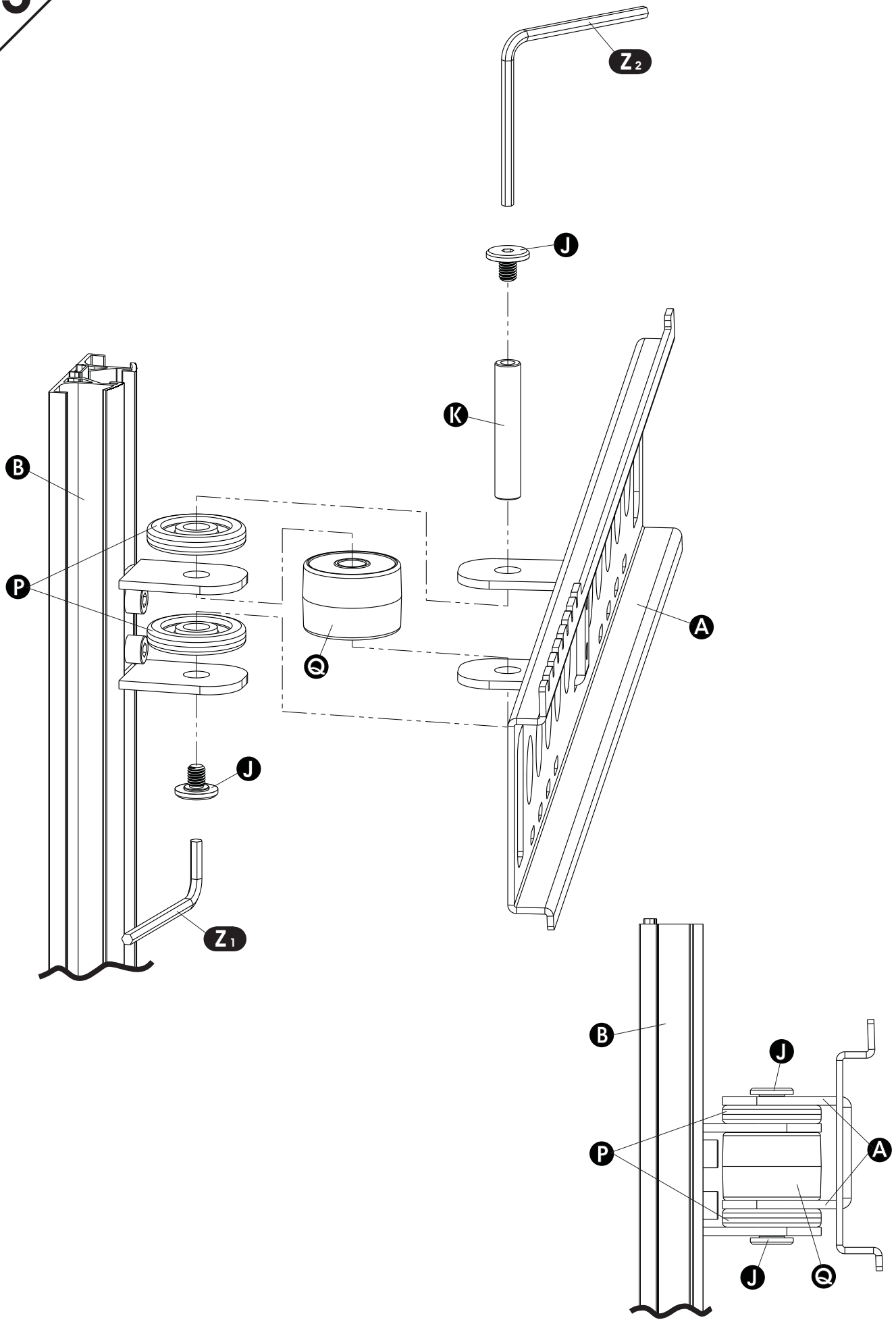
3



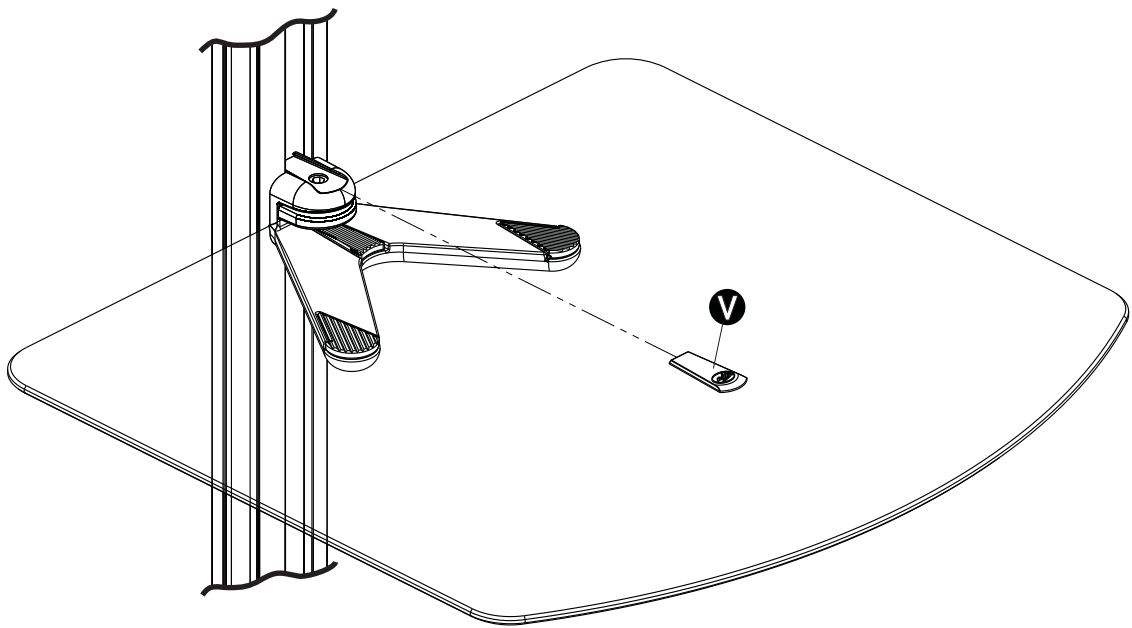
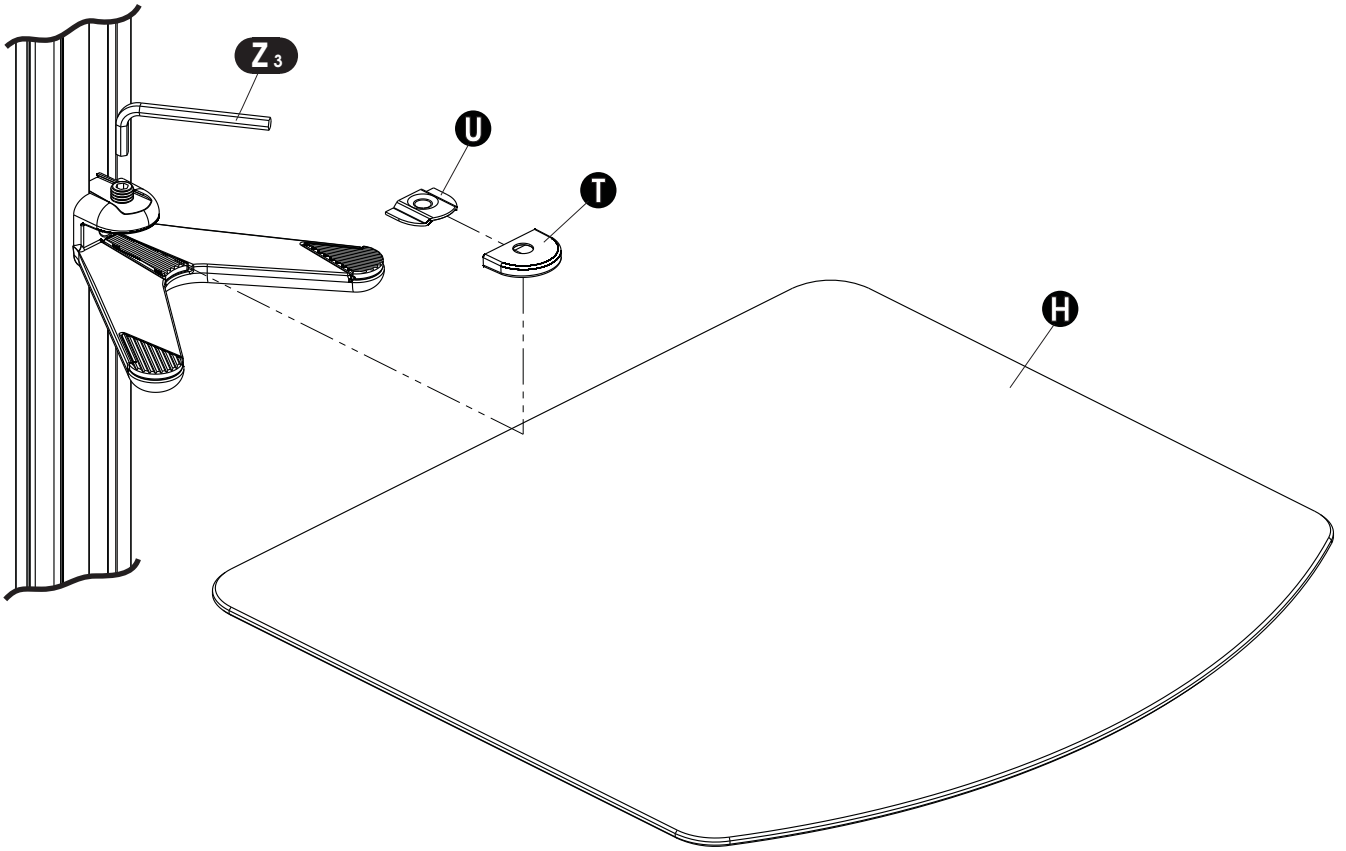
4



5

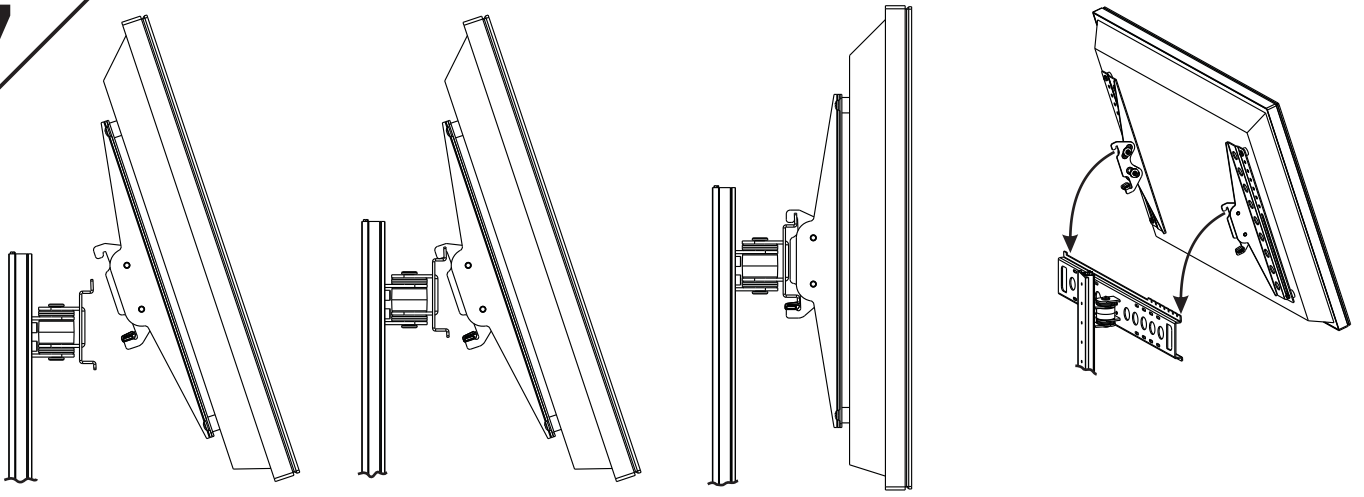


6

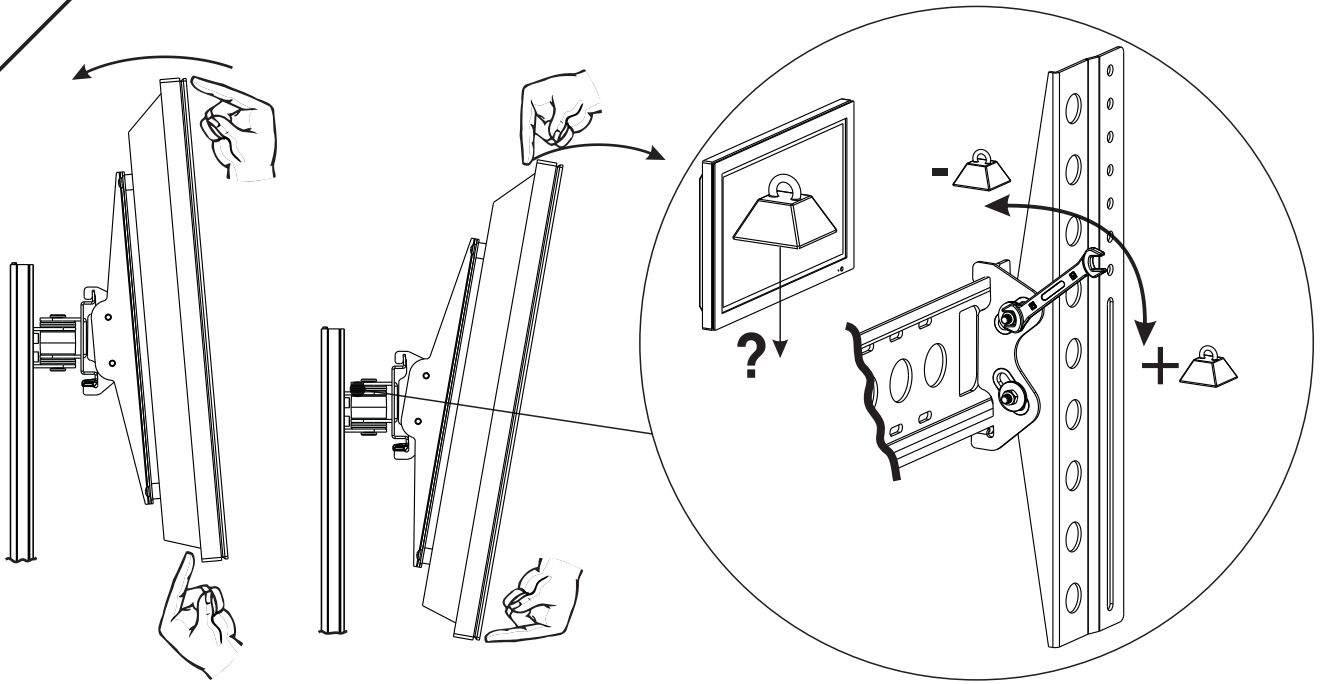




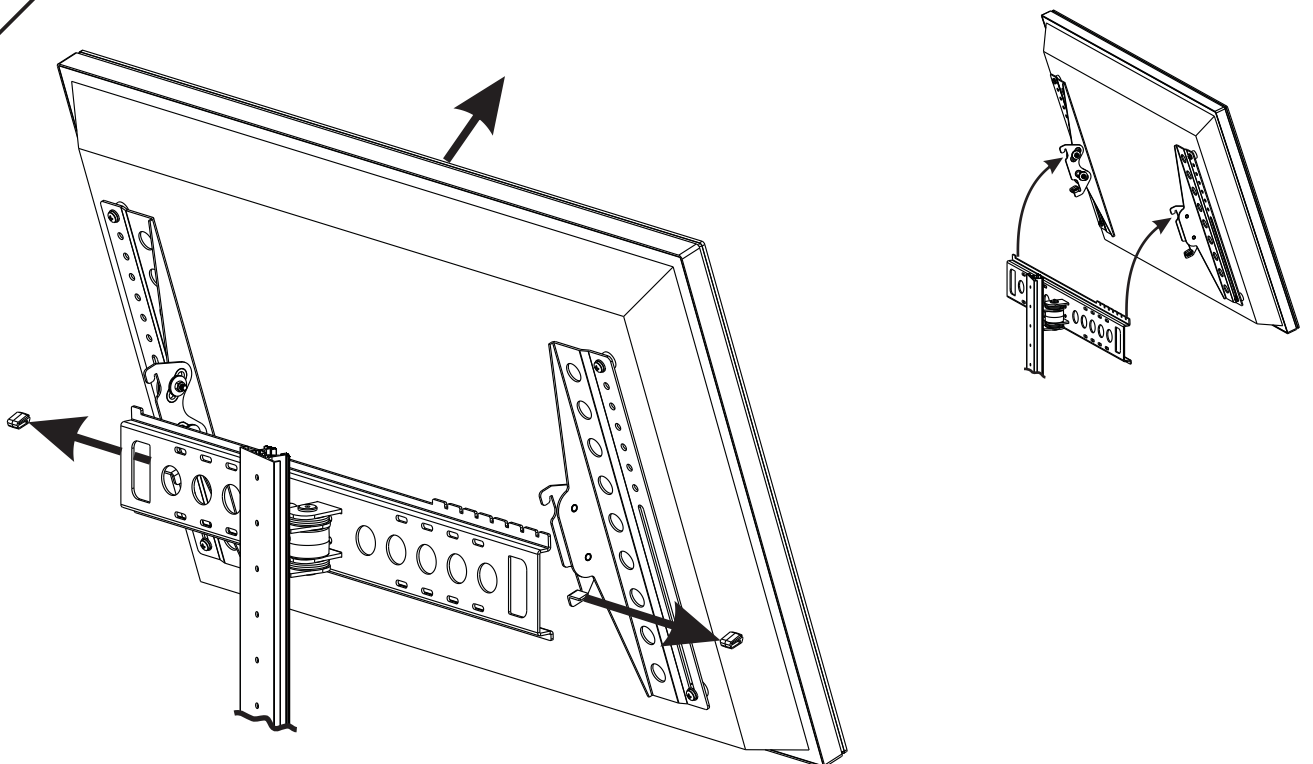
7

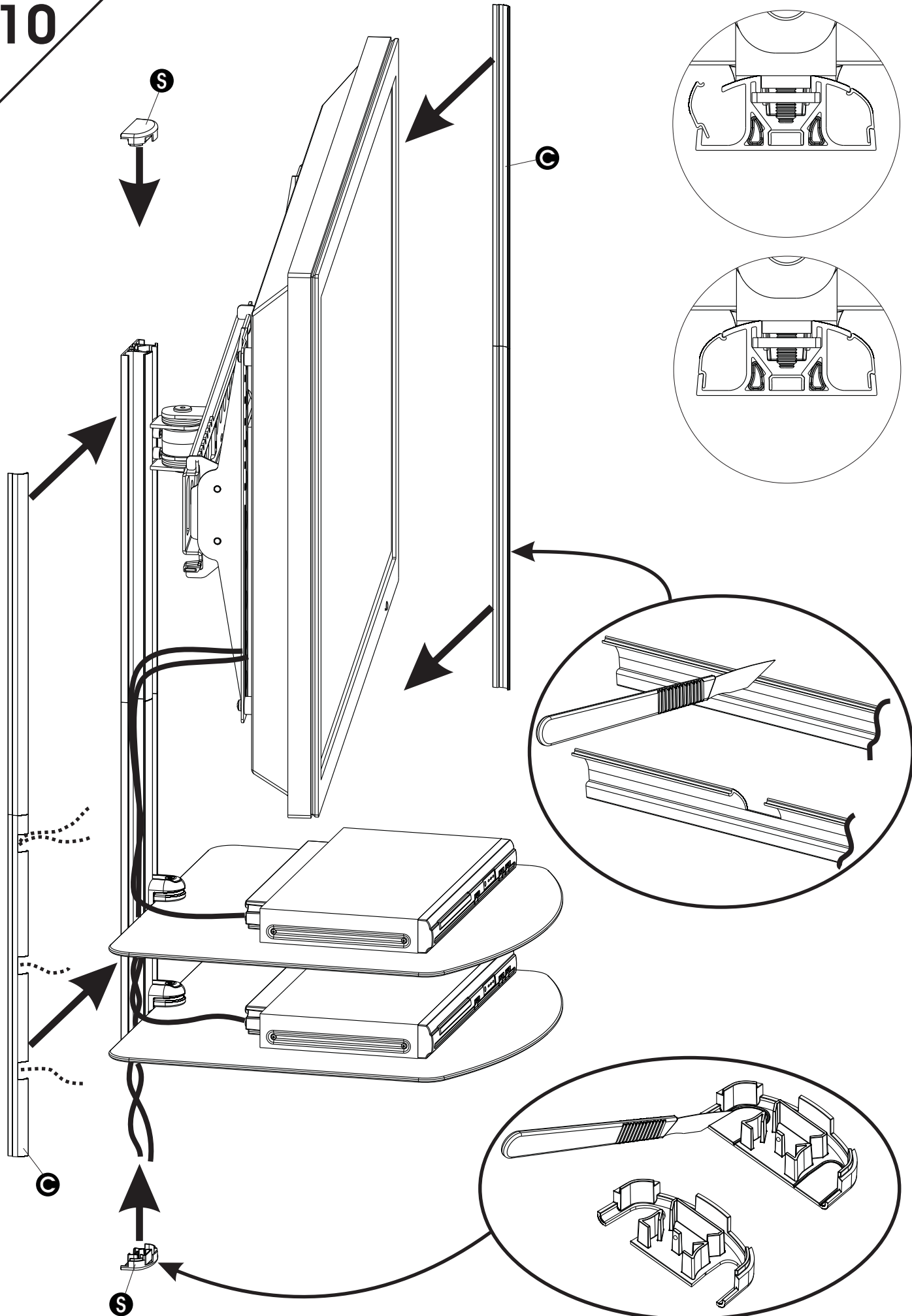


8

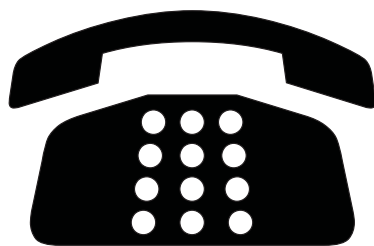


9









AVF Group Ltd.  
Road 30, Hortonwood Industrial Estate,  
Telford, Shropshire, TF1 7YE, England.

**+44 (0) 1952 670009**  
**0870 0609777 (UK)**

AVF Incorporated.  
3187, Cornerstone Drive,  
Mira Loma, CA 91752, USA.

**1-800 667 0808 (USA)**

Orbital Holdings Inc.  
3187, Cornerstone Drive,  
Mira Loma, CA 91752, USA.

**1-800 601 8450 (USA)**