

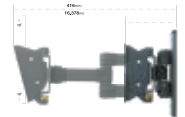
Multi Position

Flat Panel TV Mount

- Provides optimal viewing angles
- Tilts, Swivels, Extends & Pans
- Perfect for corners
- Tools free adjustment



Easy-Click
Installation
Patent applied for



Specification

Designed & Manufactured by  a Carbon Neutral Company

[Click to view](#)

Brand	Eco-mount AVF	VESA Compatibility	Up to 100 x 100mm
Model	EL104B	Pack Type	Full Color Box
Screen Size	12-25"	Pack Dimensions (LxWxH)	190 x 125 x 110mm
Weight Capacity	15kg (33lbs)	Pack Weight	2.322kg
Color	Black	Barcode	5014117110403

AVF Group Limited

Hortonwood 30, Telford
Shropshire, UK, TF1 7YE

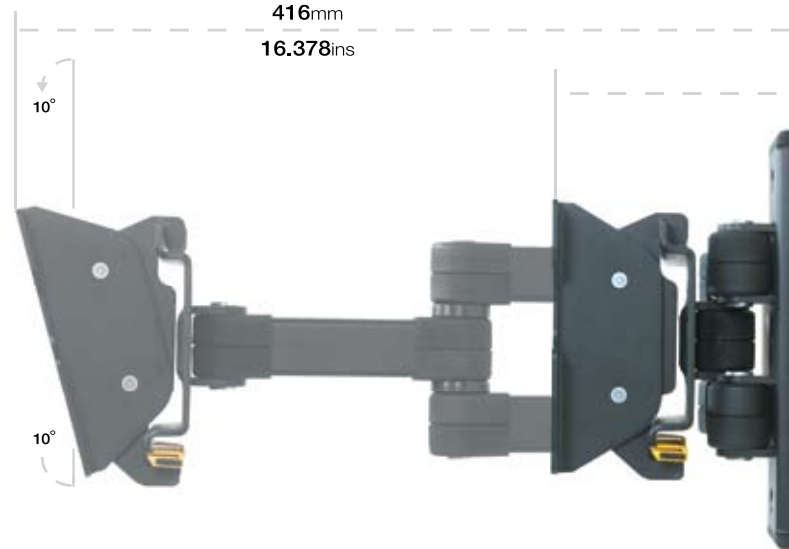
Call +44(0) 1952 670009

Click www.avf-eco.com

Multi Position

Flat Panel TV Mount

- Provides optimal viewing angles
- Tilts, Swivels, Extends & Pans
- Perfect for corners
- Tools free adjustment



Easy-Click
Installation
Patent applied for

Specification

Designed & Manufactured by  a Carbon Neutral Company

[Click to view](#)

Brand	Eco-mount AVF	VESA Compatibility	Up to 100 x 100mm
Model	EL104B	Pack Type	Full Color Box
Screen Size	12-25"	Pack Dimensions (LxWxH)	190 x 125 x 110mm
Weight Capacity	15kg (33lbs)	Pack Weight	2.322kg
Color	Black	Barcode	5014117110403

AVF Group Limited

Hortonwood 30, Telford
Shropshire, UK, TF1 7YE

Call +44(0) 1952 670009

Click www.avf-eco.com