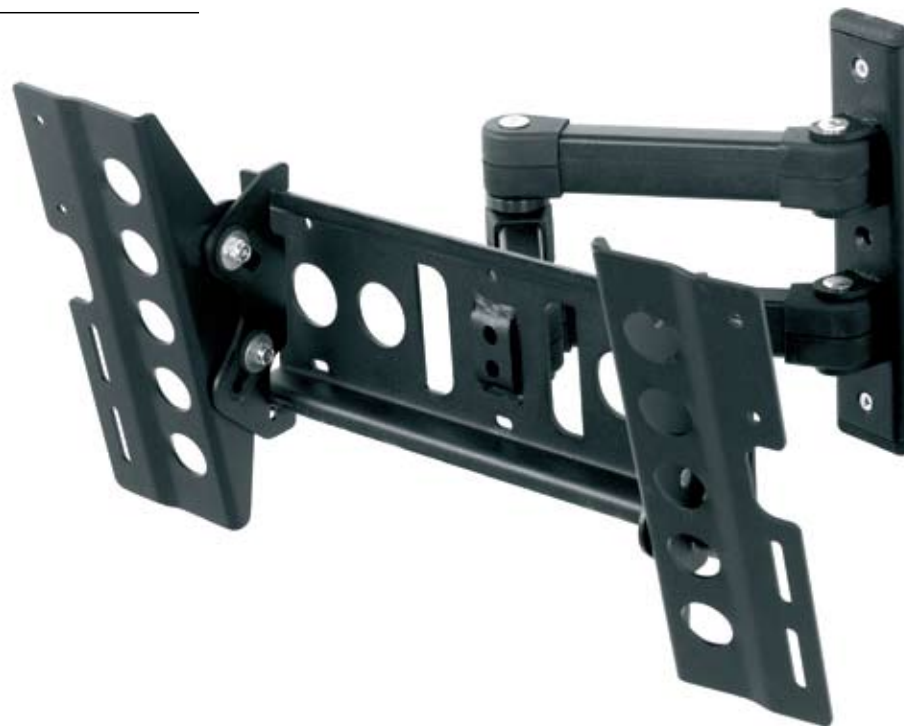


Multi Position

Flat Panel TV Mount

- Provides optimal viewing angles
- Tilts, Swivels, Extends & Pans
- Perfect for corners
- Tools free adjustment



Easy-Click
Installation
Patent applied for

Specification

Designed & Manufactured by **AVF** a Carbon Neutral Company

[Click to view](#)

Brand	Eco-mount AVF	VESA Compatibility	Up to 400 x 200mm
Model	EL404B	Pack Type	Full Color Box
Screen Size	25-40"	Pack Dimensions (LxWxH)	300 x 125 x 145mm
Weight Capacity	30kg (66lbs)	Pack Weight	3.469kg
Color	Black	Barcode	5014117140400

AVF Group Limited

Hortonwood 30, Telford

Shropshire, UK, TF1 7YE

Call +44(0) 1952 670009

Click www.avf-eco.com

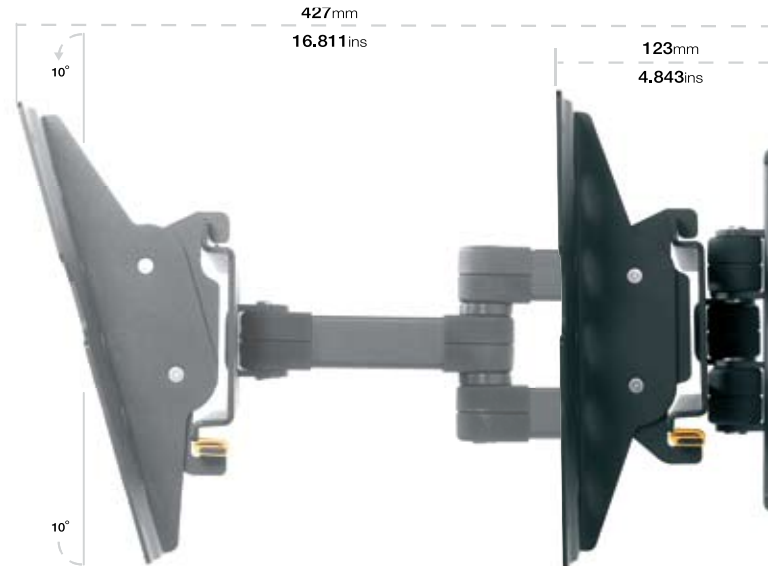
Multi Position

Flat Panel TV Mount

- Provides optimal viewing angles
- Tilts, Swivels, Extends & Pans
- Perfect for corners
- Tools free adjustment



Easy-Click
Installation
Patent applied for



Specification

Designed & Manufactured by  a Carbon Neutral Company

[Click to view](#)

Brand	Eco-mount AVF	VESA Compatibility	Up to 400 x 200mm
Model	EL404B	Pack Type	Full Color Box
Screen Size	25-40"	Pack Dimensions (LxWxH)	300 x 125 x 145mm
Weight Capacity	30kg (66lbs)	Pack Weight	3.469kg
Color	Black	Barcode	5014117140400

AVF Group Limited

Hortonwood 30, Telford
Shropshire, UK, TF1 7YE

Call +44(0) 1952 670009

Click www.avf-eco.com