

MODEL#: **ES1578TLLS**

PRODUCT SPECIFICATION SHEET



DESCRIPTION:

8" Single Handle Kitchen Fct W/O Sprayer, Sn

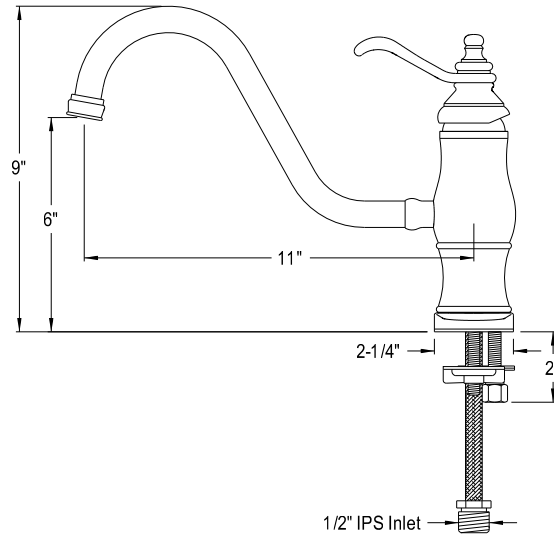
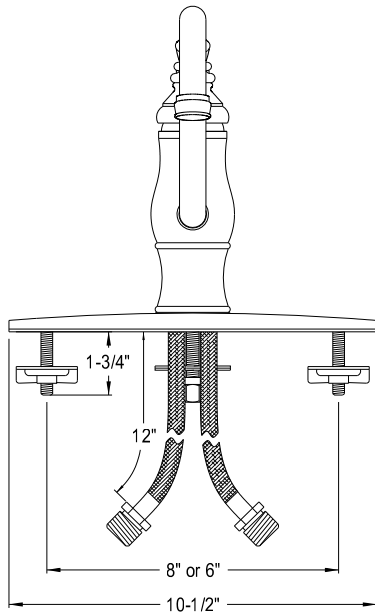


CARTRIDGES (If applicable):

CARTRIDGE TYPE	MODEL #
Hot Cartridge	
Cold Cartridge	
Shared or Single H&C Cartridge	KSRP3891C
Diverter (If applicable)	

Note: Please always check with Elements of Design Customer Service for Cartridge Model Number Verification before you order.

Note: Photo above and Drawing below shows overall style of the product, handle styles may be different to the product model number this specification sheet is referring to.



Ref# KS1571.2.3.5.6.8TLLS | 2009-04-A