

MODEL#: **ES1572BLLS**

PRODUCT SPECIFICATION SHEET



DESCRIPTION:

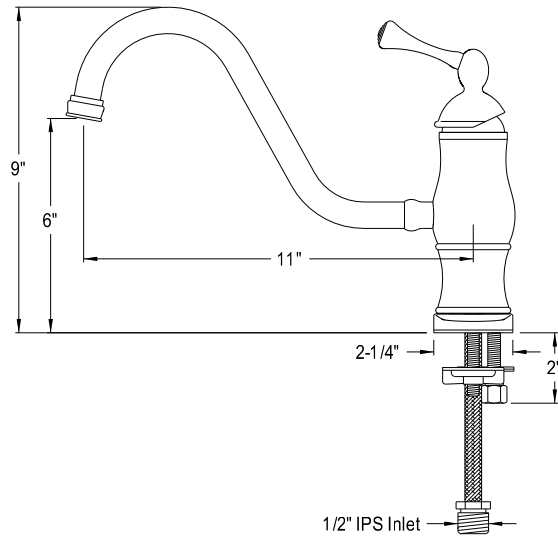
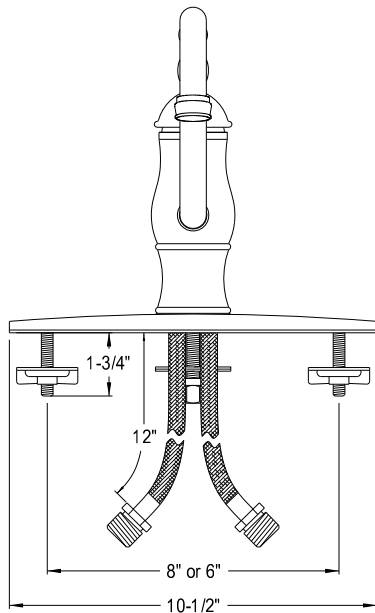
Heritage 8" Single Handle Kit Fct W/O Sprayer & Plate, Pvd

CARTRIDGES (If applicable):

| CARTRIDGE TYPE | MODEL # |
|--------------------------------|-----------|
| Hot Cartridge | |
| Cold Cartridge | |
| Shared or Single H&C Cartridge | KSRP3891C |
| Diverter (If applicable) | |

Note: Please always check with Elements of Design Customer Service for Cartridge Model Number Verification before you order.

Note: Photo above and Drawing below shows overall style of the product, handle styles may be different to the product model number this specification sheet is referring to.



Ref# KS1571.2,3,5,6,8BLLS | 2009-04-A