

MODEL#: **EBA7619SN**

PRODUCT SPECIFICATION SHEET

DESCRIPTION:

Naples Cosmetic Shelf, Sn

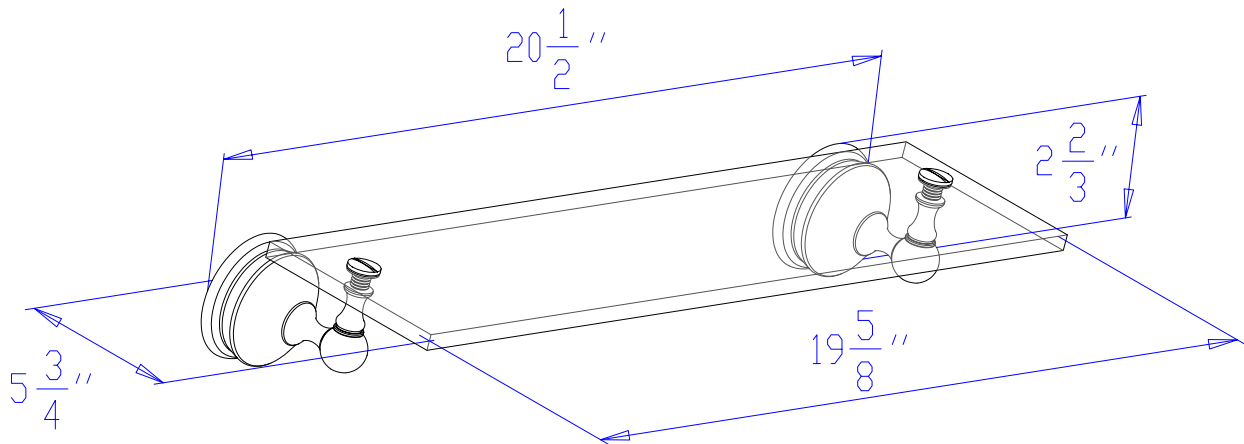
CARTRIDGES (If applicable):

CARTRIDGE TYPE	MODEL #
Hot Cartridge	
Cold Cartridge	
Shared or Single H&C Cartridge	No Cartridge
Diverter (If applicable)	

Note: Please always check with Elements of Design Customer Service for Cartridge Model Number Verification before you order.



Note: Photo above and Drawing below shows overall style of the product, handle styles may be different to the product model number this specification sheet is referring to.



Cosmetic Shelf