

**MODEL# :EBA7616SN**  
**PRODUCT SPECIFICATION SHEET**

**DESCRIPTION:**

Naples Ceramic Toothbrush/ Tumbler Holder,Sn

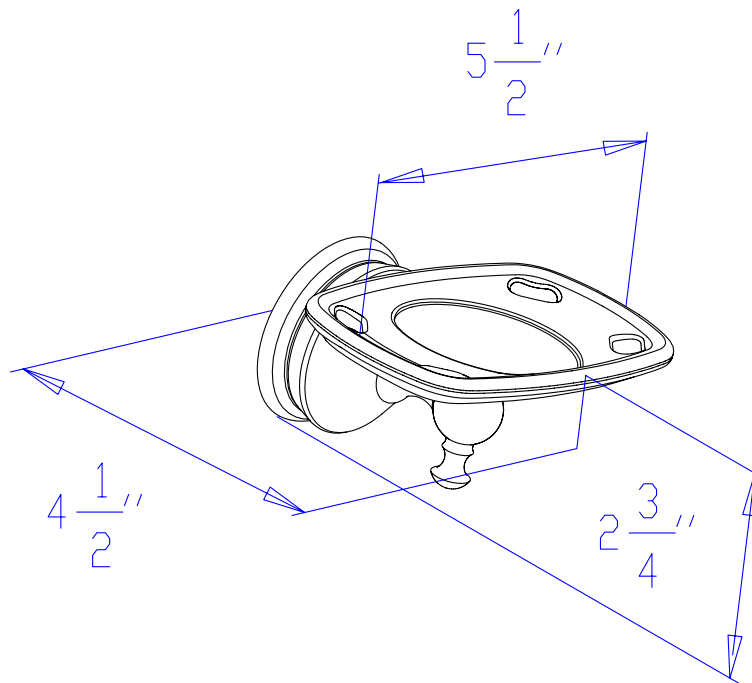


**CARTRIDGES (If applicable):**

CARTRIDGE TYPE	MODEL #
Hot Cartridge	
Cold Cartridge	
Shared or Single H&C Cartridge	No Cartridge
Diverter (If applicable)	

**Note:** Please always check with Elements of Design Customer Service for Cartridge Model Number Verification before you order.

**Note:** Photo above and Drawing below shows overall style of the product, handle styles may be different to the product model number this specification sheet is referring to.



**Toothbrush Holder W/ Ceramic Tumbler**