

**JENNY LIND CHANGER** **M0302** ALL RIGHTS RESERVED ©

A S S E M B L Y & O P E R A T I O N M A N U A L

**C**ongratulations on purchasing a Million Dollar Baby product. Please be sure to follow the instructions for proper assembly. Use a Phillips screwdriver and a regular screwdriver for assembling the changer. Do not use electric drills or power screwdrivers. Please understand that natural woods have color variations which are the result of nature and are not defects in workmanship.



**PLEASE RECORD THE FOLLOWING FOR FUTURE REFERENCE:**

**Model/Item Number\*** \_\_\_\_\_

**P. O. /Lot Number\*** \_\_\_\_\_

**Date of Purchase** \_\_\_\_\_

**Store Purchased From** \_\_\_\_\_

<b>Finish</b>	<b>cherry</b>	___	<b>oak</b>	___
	<b>maple</b>	___	<b>white</b>	___
	<b>natural</b>	___	<b>unfinished</b>	___
	<b>other</b>	___		

\* Refer to the cardboard box.

**ONE YEAR LIMITED WARRANTY:**  
We will replace any missing parts at the time of purchase or any defective items within a one year period from the date of original purchase. Please keep your receipt so that we may process your warranty request. This warranty only covers new units with original packaging and ownership and is non-transferable. It does not cover any used, secondhand or demo models.

This warranty does not cover any damaged or defective parts that result from normal wear and tear, abuse, negligence, improper use or alteration to the finish, design, and hardware. The specific legal rights of this warranty may vary from state to state. Some states do not allow any exclusion or limitation of incidental or consequential damages. Some states do not allow limitation on how long an implied warranty lasts.

IF YOU WOULD LIKE TO ORDER REPLACEMENT OR MISSING PARTS PLEASE VISIT US AT:

[WWW.MILLIONDOLLARBABY.COM](http://WWW.MILLIONDOLLARBABY.COM)

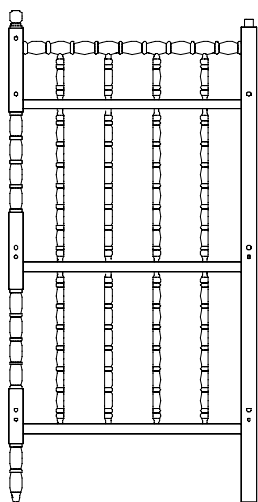
OR YOU CAN CONTACT US BY MAIL.

**MILLION DOLLAR BABY**  
**855 WASHINGTON BLVD.**  
**MONTEBELLO, CA 90640**

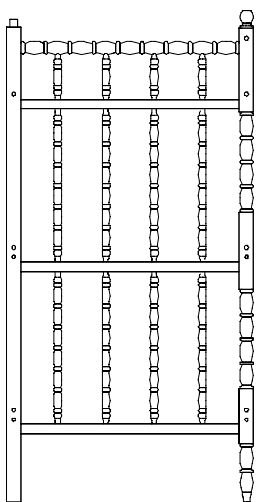
**WARNING:** When using this product, always secure the child with the safety strap. Stop using this changer when the child is able to sit up or roll over. Never leave the child unattended by an adult. Check regularly to see that all fasteners are tight. This product is for residential use only. Any institutional use is strictly prohibited.

**1** Unpack and separate all parts, bolts and screws. All holes for attachment, including the ones for an optional drawer, have been pre-drilled. No drilling by the customer is necessary. Ask your store or call us for replacement of missing parts. On the front page, record your model/item number, PO./lot number, date of purchase, store purchased from and the finish color for future reference.

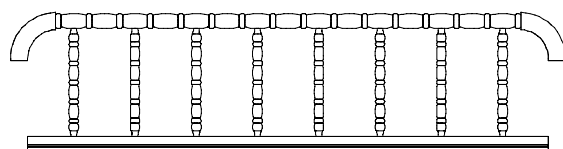
**Do not substitute parts. All models have the same quantity of parts and hardware. Your model may look different from the one illustrated due to stylistic variations. We continue to improve our products and may make minor changes to the design. These changes may not be reflected in the instructions.**



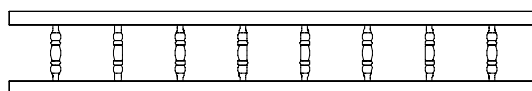
**A** Left panel



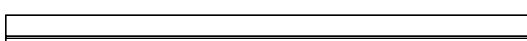
**B** Right panel



**C** Top back rail



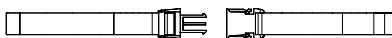
**D** Top front rail



**E** Shelf rails (4 pieces)



**F** Shelf boards (3 pieces)



**G** Safety strap

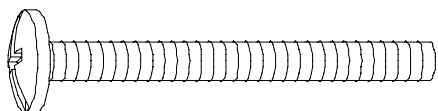


**H** Metal cross brace



**J** Changer pad

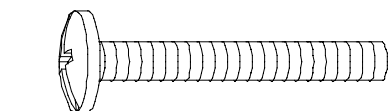
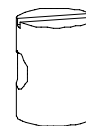
**Hardware package**



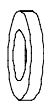
**K** 2" Phillips head bolts & washers (8 pieces each)



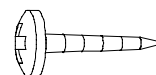
**L** Barrel nuts (8 pieces)



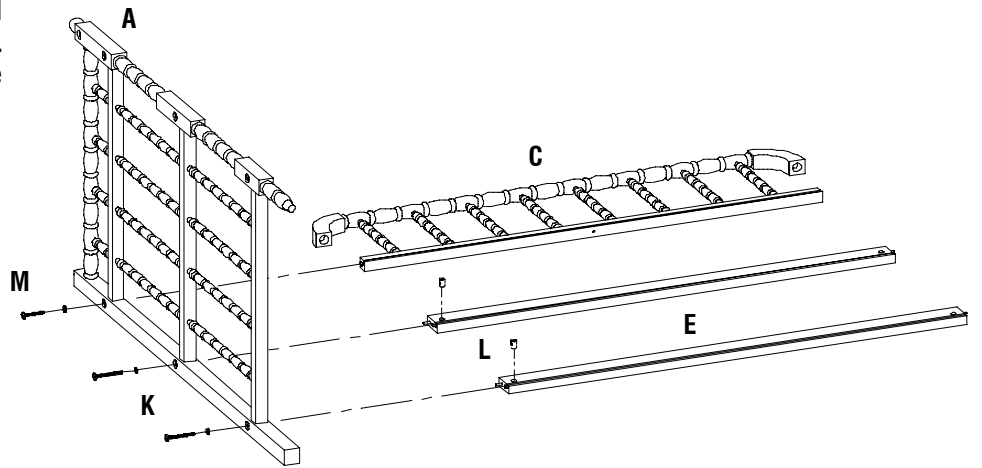
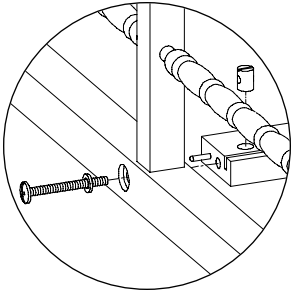
**M** 1 1/2" Phillips head bolts & washers (6 pieces each)



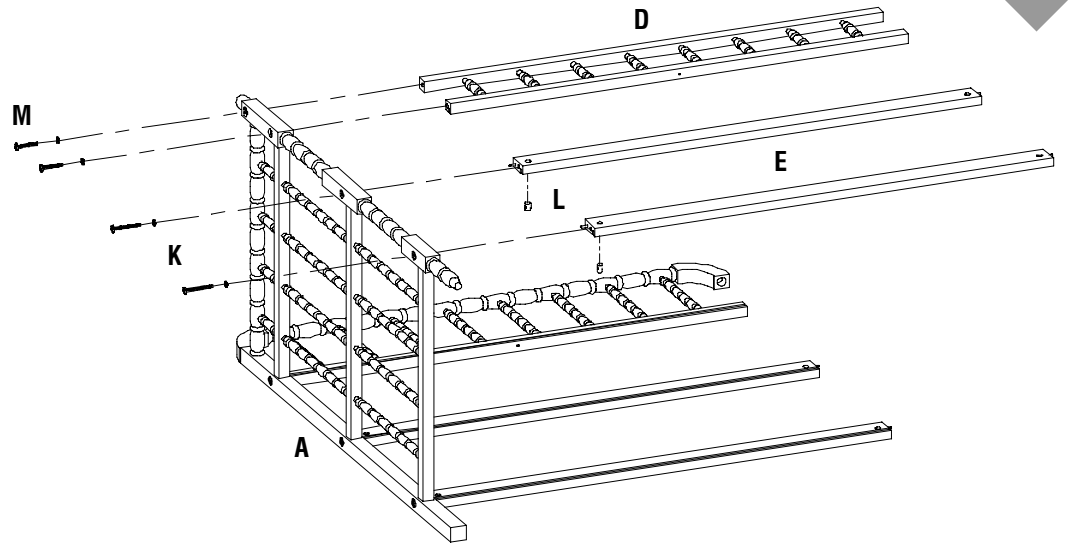
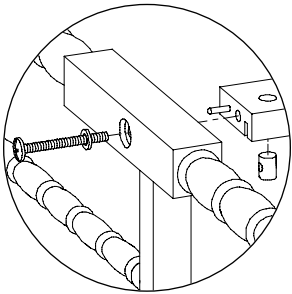
**N** 5/8" Wood screws (2 pieces)



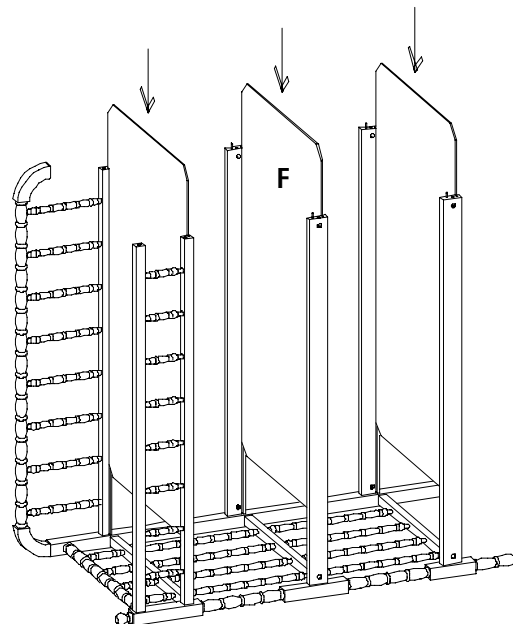
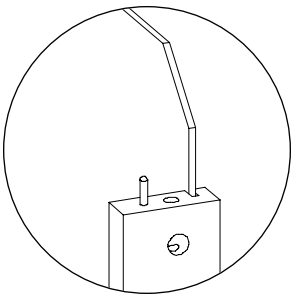
- 2** Use the Phillips head bolts and washers **M** to connect the top back rail **C** to the left panel **A**. Use the Phillips head bolts and washers **K** and barrel nuts **L** to connect the shelf rails **E** to the same panel.



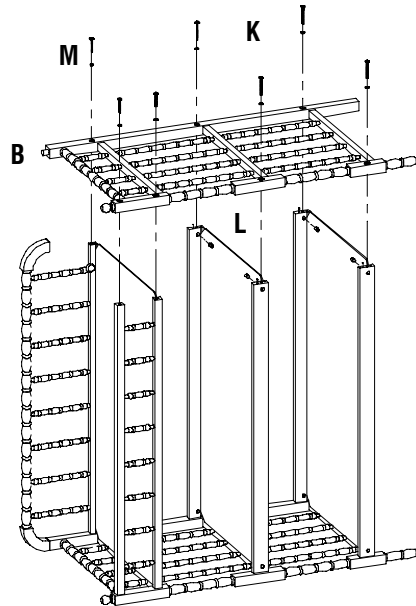
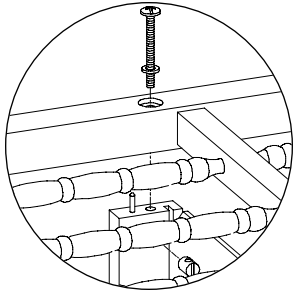
- 3** Make sure the groove at each rail faces the inside of the unit.



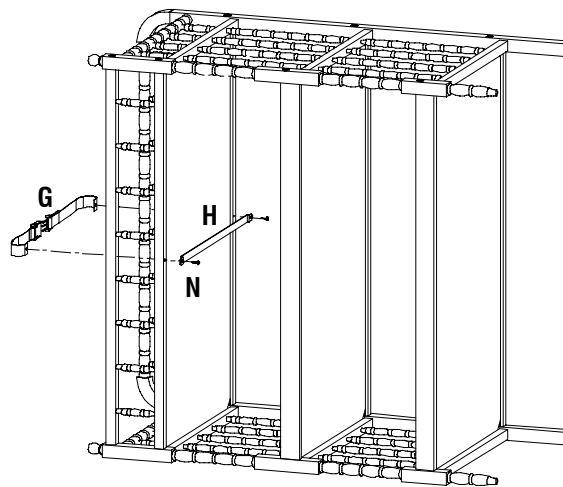
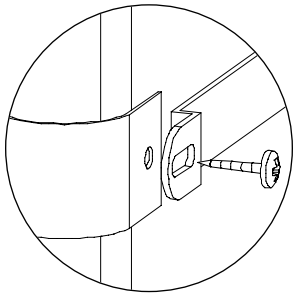
- 4** Turn the unit on its side as shown.



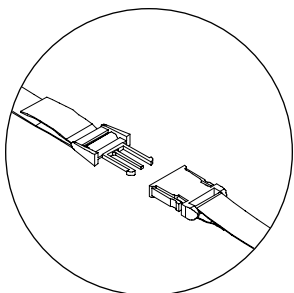
5



6



7 Adjust the safety strap and test the locking mechanism. Slide the male connector into the female connector until they lock together. Press the side tabs on the male connector to release. Make sure the safety strap goes over the pad. Recheck all connections.



**KEEP THIS MANUAL IN A SAFE PLACE FOR FUTURE REFERENCE.**

