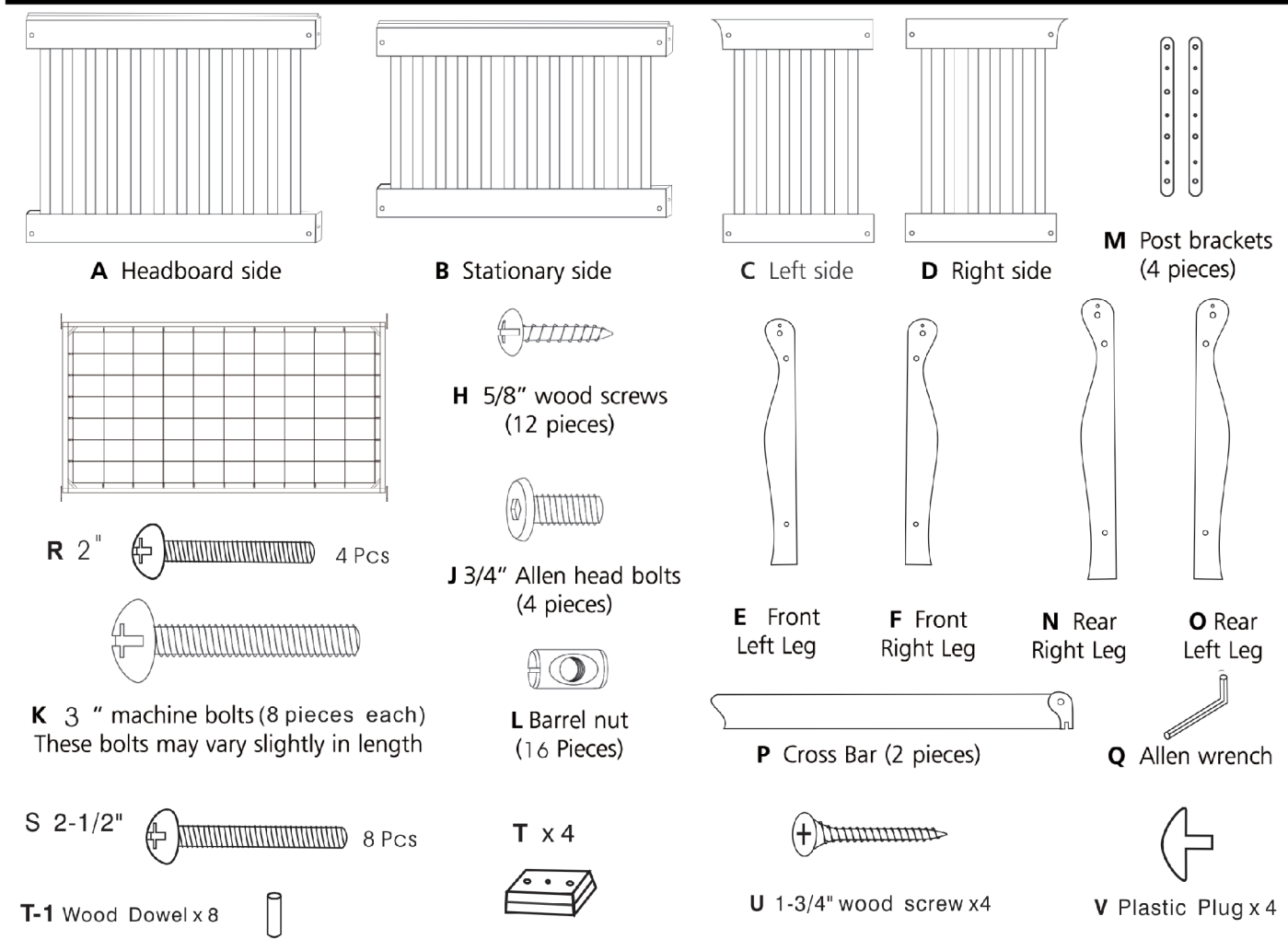
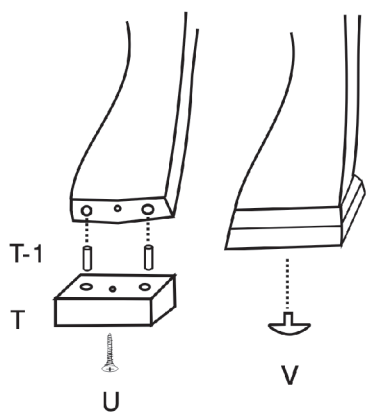


This crib will provide many years of service if you adhere to the following guidelines for assembly, maintenance and operation. This crib is for residential use only. Any institutional use is strictly prohibited. Ask your dealer or visit our website for replacement of missing parts if needed. Please be sure to follow the instructions for proper assembly. Do not use power screw drivers. All screw holes have been pre-drilled or have metal inserts. Be sure to tighten all screws firmly. All of our cribs are made from natural hardwoods. Please understand that natural woods have color variations which are the result of nature and are not defects in workmanship. **Do not substitute parts. All models have the same quantity of parts and hardware. Your model may look different from the one illustrated due to stylistic variations.**



1



2

1A - Attach one post bracket **M** to each mid-section of front and rear left legs **E & N** and right leg **F & O**. Use three 5/8" wood screws **H** for each post bracket **M**.

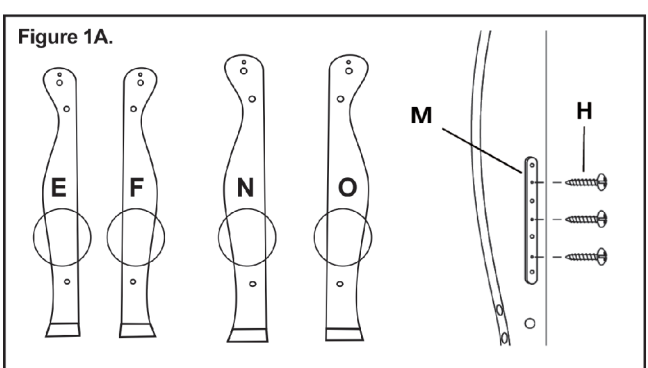
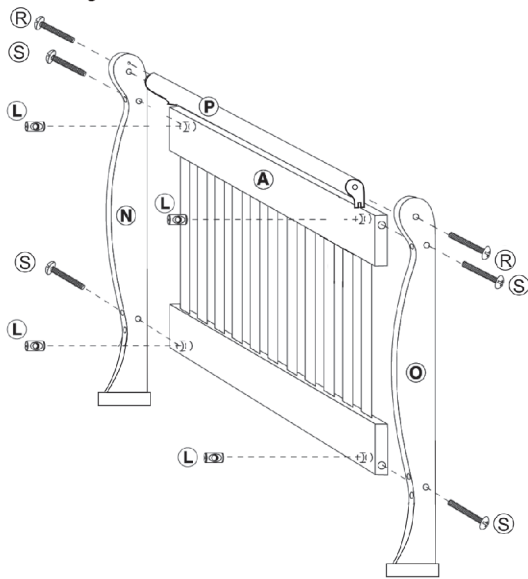
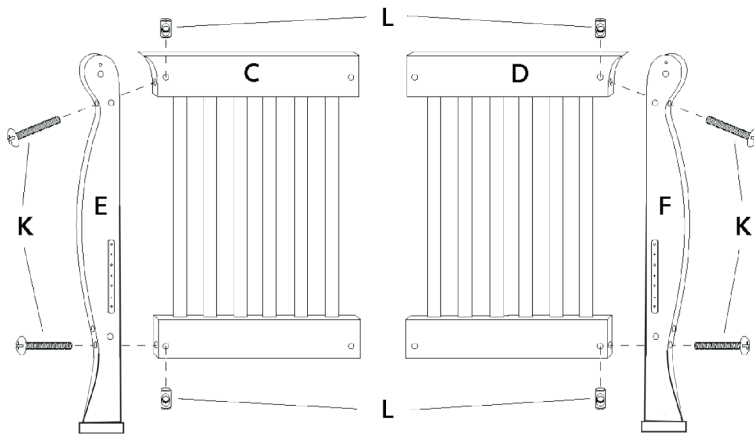


Figure 1B.

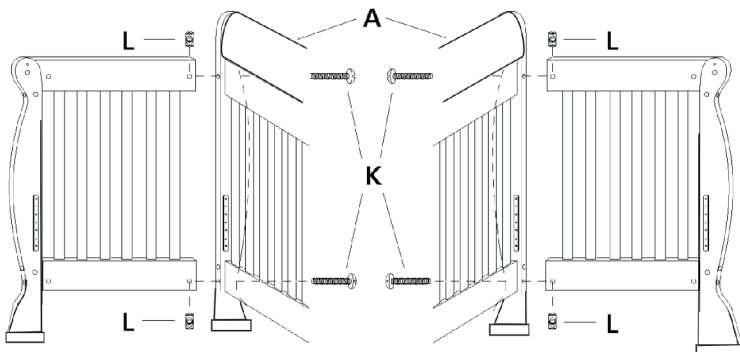


1B - The headboard assembly consists of rear left leg **N**, and rear right leg **O**, headboard side **A**, and cross bar **P**.



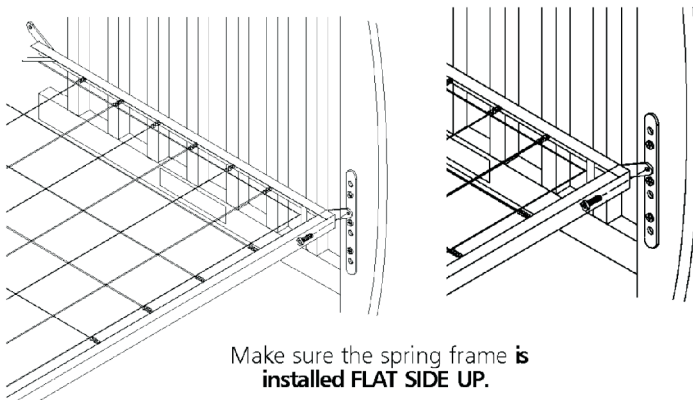
3 Attach left leg **E** to left side **C** using 2 machine bolts **K** and 2 barrel nuts **L**.

Attach right leg **F** to left side **D** using 2 machine bolts **K** and 2 barrel nuts **L**.



4 Attach the completed left and right sides to the headboard **A** using 2 machine bolts **K** and 2 barrel nuts **L** for each headboard.

Make sure the sides are installed correctly with the metal post brackets facing towards the inside of the crib.



5 Swing out four hangers at corner of the spring frame **G** carefully. Attach spring frame **FLAT SIDE UP**. Choose the height of the spring frame. Start at the highest level and adjust accordingly.

Bolt the spring frame **G** to the brackets using allen head bolts **J** and allen wrench **Q**. As the child grows, it is important to lower the spring.

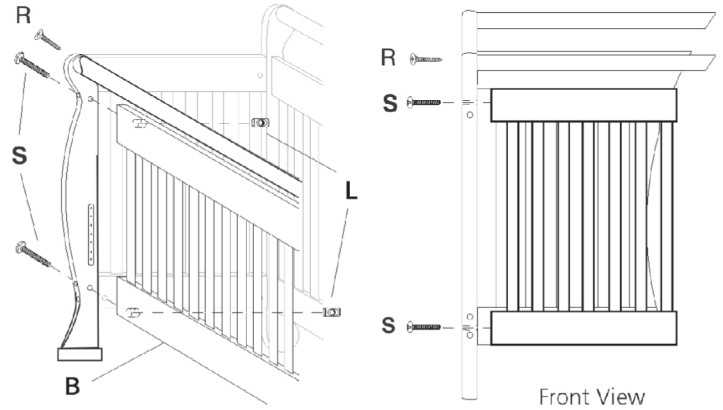
Make sure the spring frame is level.

6 Attach cross bar P to the left and right side with 2 machine bolts R

Attach stationary side B to the left and right sides with 4 machine bolts S and 4 barrel nuts L.

Be sure to tighten the cross bar screws now that you have installed the stationary side.

Recheck all screws and bolts to be sure they are fastened securely. **Do not overtighten.**



Before placing your mattress in the crib, you can make your own mattress protector by cutting the cardboard packing insert into a 27"x51" board and placing it on the spring frame under the mattress. This will extend the life of your mattress and provide additional support.

Before using your crib, please read all cautionary statements on the insert sheet.

KEEP THIS MANUAL INSIDE THE PLASTIC BAG (N) AND NYLON TIES PROVIDED AND TIE IT PERMANENTLY TO THE MATTRESS SUPPORT FOR FUTURE REFERENCE.

Please refer to the label (figure below) on the inside face of the headboard. Record the model/item number and serial number of your crib, name of store where you made the purchase, date of purchase and wood finish in the box to the lower right.

WE WILL ASK YOU FOR YOUR SERIAL NUMBER FOR ALL WARRANTY AND REPLACEMENT PART REQUESTS. PLEASE REFER TO THE BOTTOM OF THIS INSTRUCTION SHEET FOR WARRANTY INFORMATION. KEEP THIS MANUAL INSIDE THE PLASTIC INSERT TIED TO THE MATTRESS SUPPORT FOR FUTURE REFERENCE.



SAMPLE LABEL

Model Number: _____

Serial Number: _____

Store Purchased From: _____

Date of Purchase: _____

Wood Finish: _____

Please read the Caution and Warning Statements insert before using your product.



WARNING:

Failure to follow these warnings and the assembly instructions could result in serious injury or death.

READ ALL INSTRUCTIONS BEFORE ASSEMBLING CRIB. KEEP THE MANUAL FOR FUTURE USE.



WARNING:

- Infants can suffocate on soft bedding. Never add a pillow, comforter or padding.
- To reduce the risk of SIDS, pediatricians recommend healthy infants be placed on their backs to sleep, unless otherwise advised by your physician.
- Strings can cause strangulation! Do not place items with a string around a child's neck, such as hood strings or pacifier cords. Do not suspend strings over a crib or attach strings to toys.
- To help prevent strangulation tighten all fasteners. A child can trap parts of the body or clothing on loose fasteners.
- DO NOT place a crib near a window where cords from blinds or drapes may strangle a child.
- When a child is able to pull to a standing position, set the mattress to the lowest position and remove bumper pads, large toys and other objects that could serve as steps for climbing out.
- For cribs with drop sides, after raising side, make sure latches are secure.
- For cribs with drop sides, DO NOT leave child in crib with side lowered. Be sure side is in raised and locked position whenever child is in crib.
- When a child is able to climb out, reaches the height of 35 inches (90cm), the child should be placed in a youth or regular bed, and the crib shall no longer be used.
- Check this product for damaged hardware, loose joints, missing parts or sharp edges before and after assembly and frequently during use. DO NOT use crib if any parts are missing, damaged or broken. Contact Million Dollar Baby for replacement parts and instructional literature if needed. DO NOT substitute parts.
- DO NOT use a water mattress with this crib.
- For cribs equipped with teething rails, replace teething rail if damaged, cracked or loose.
- If refinishing, use a non-toxic finish specified for children's products.
- Never use plastic shipping bags or other plastic films as mattress covers because they can cause suffocation.
- Infants can suffocate in gaps between crib sides when used with a mattress that is too small.
- Check fasteners periodically for tightness. Do not overtighten. This may cause distortion or breakage.
- Use a crib as a crib, not as a play pen. Remember that a crib is not a substitute for a parent's supervision.
- When re-assembling the crib for your second child, please keep in mind that the screw holes will need to be filled in order for the screws to grip the wood, Talk to your local hardware store or lumber yard about how to do this properly.

ONE YEAR LIMITED WARRANTY:

We will replace any missing parts at the time of purchase or any defective item within a one year period from the date of original purchase. Please keep your receipt so that we may process your warranty request. This warranty only covers new units with original packaging and ownership, and is not transferable. It does not cover any used, secondhand or demo models.

This warranty does not cover any damaged or defective parts that result from installation and assembly, normal wear and tear, abuse, negligence, improper use or alteration to the finish, design, and hardware of the crib. The specific legal rights of this warranty may vary from state to state. Some states do not allow any exclusion or limitation of incidental damages. Some states do not allow limitation on how long an implied warranty lasts.

Registering your product is even easier than before. You can register your product on our website at www.milliondollarbaby.com

Care and Cleaning:

Do not scratch or chip the finish. Do not use abrasive chemicals for cleaning. Clean with mild soap on a soft rag. rinse and dry thoroughly. If you ever refinish this furniture, be sure to use only a non-toxic finish specified for children's products. If you choose to refinish this furniture, the warranty will be voided.

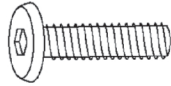
IF YOU WOULD LIKE TO ORDER REPLACEMENT OR MISSING PARTS PLEASE VISIT US AT:

WWW.MILLIONDOLLARBABY.COM

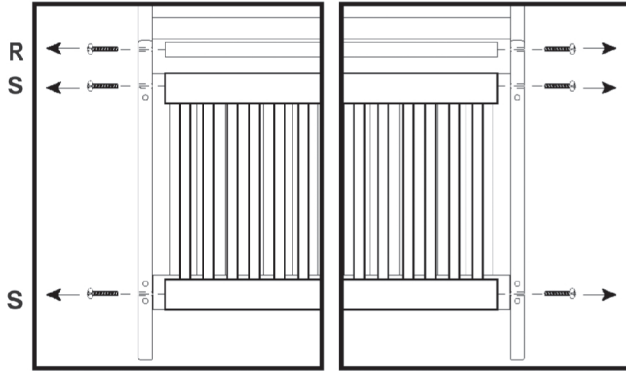
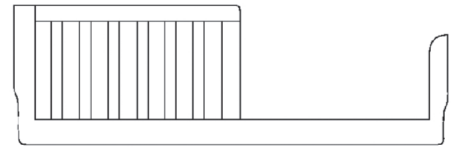
**OR YOU CAN CONTACT US BY MAIL:
MILLION DOLLAR BABY
855 WASHINGTON BLVD.
MONTEBELLO, CA 90640**

DAY BED ASSEMBLY

W 4 x 1 3/4" Allenhead bolts

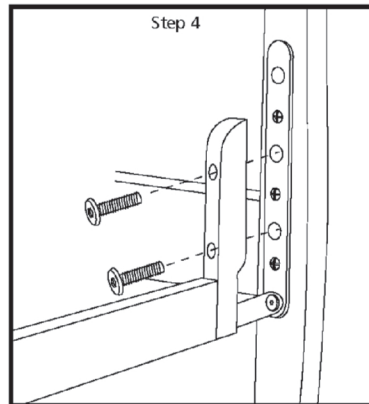
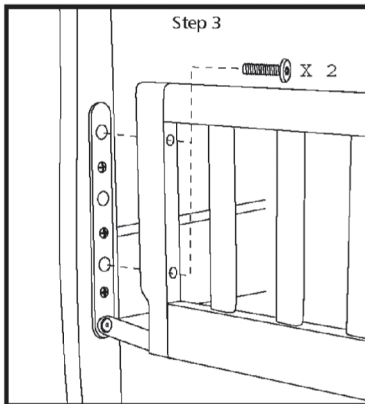
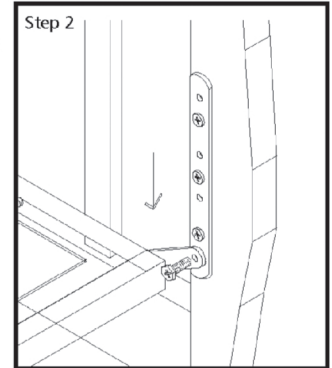


Y Guard rail



1 Unscrew the 2 machine bolts **R**, 4 machine bolts **S** and barrel nuts **L** and remove the cross bar **P** and stationary side **B**.

2 Next, move the spring frame **G** to the lowest level.



3 Attach guard rail **Y** to each post bracket on the drop side with 2 allen head bolts **W**.

The guard rail illustrated here is installed with the high end on the left side. It can be reversed with the high end on the right.

4 Attach the other two 2 allen head bolts **W** to the other side of the guard rail.

Recheck all screws and bolts to be sure they are fastened securely. **Do not overtighten.**

The mattress intended for use on the bed is to have minimum dimensions of : 51 5/8 X 27 1/4 X 4 inches thick.

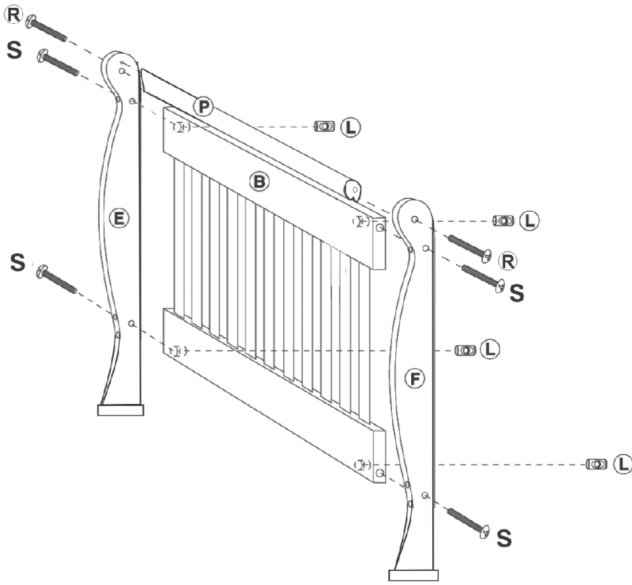
WARNING :

The minimum age shall not be less than 15 months and the maximum weight shall not be greater than 50 lbs.

Failure to follow these warnings and the assembly instructions could result in serious injury or death from entrapment or strangulation. Do not place the bed near windows where cords from blinds or drapes may strangle a child.

If guard rails are used as the mattress containment means, the guard rails provided must be used.

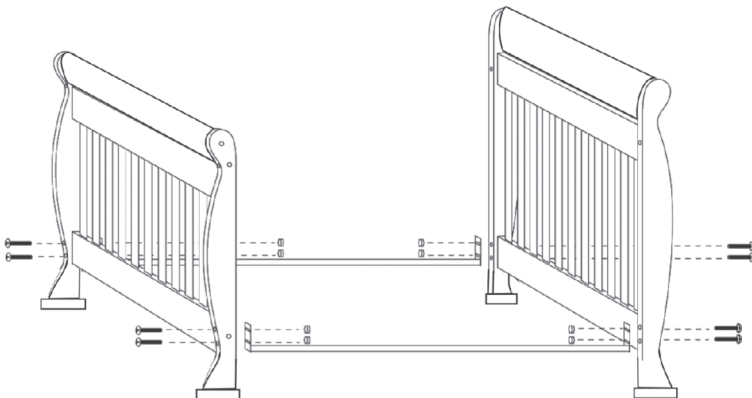
FULL SIZE CONVERSION ASSEMBLY



- 1 The footboard assembly consists of left leg **E**, right leg **F**, stationary side **B**, and cross bar **P**.

Use 3 machine bolts **S** and 3 barrel nuts and bolts **R** to attach left leg **E** to stationary side **B** and cross bar **P**.

Complete the assembly by attaching right leg to stationary side **B** and cross bar **P** using 3 machine bolts **S** and 3 barrel nuts and bolts **R**.



- 2 Attach the headboard and footboard assembly with the full size rail conversion kit* (sold separately). Attach the rails using 8 machine bolts and 8 nuts provided.

*Rails shown are standard full size metal rail kits sold in any mattress store. We carry matching full size wood rails.

You can order the Emily Wood Full Size Bed Rails from our web site's accessory store.

Visit us at
<http://www.milliondollarbaby.com>