

WASHINGTON ELONGATED TOILET

Cat. No.
2-170



Seat NOT included

W: 17 5/8"
D: 29 3/4"
H: 32"

Bowl height: 15 7/8"
Footprint: 10 1/2" x 20 1/8"

Features:

- ▶ Made of Vitreous China
- ▶ 3" Wash Down Flush
- ▶ 1.6 GPF
- ▶ 2" Glazed Trapway
- ▶ MaP Test Rating of 600
- ▶ 12" Rough
- ▶ Plastic Chrome Flush Handle Included
- ▶ Decorative Flush Handle Available in 4 Finishes (5595)
- ▶ Soft Close Seat Available (SCSEL)

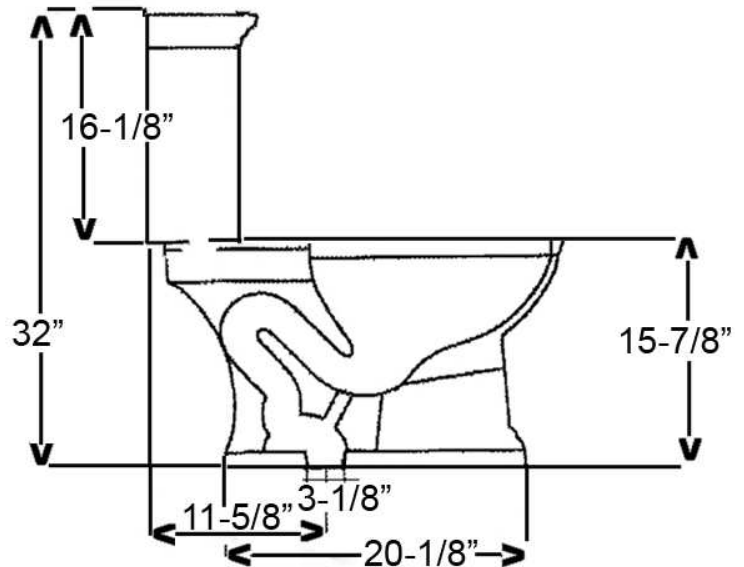
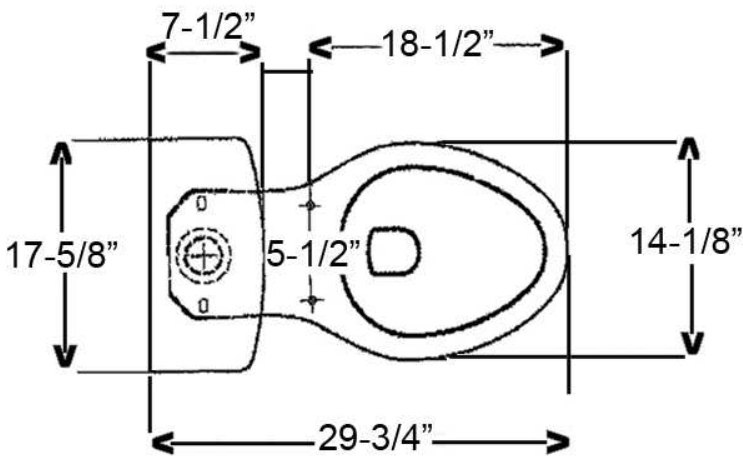
Colors:

WH White

Handle Finishes:

BP Polished Brass
CP Polished Chrome
SN Brushed Nickel
PN Polished Nickel

Compliance Certification
Meets or exceeds the following specifications: ASME A112.19.2-2008 and CSA B45.1-08 for ceramic plumbing fixtures.



Dimensions of fixture are nominal and may vary within the range of tolerances established by ASME Standard A112.19.2-2008. Dimensions and specifications subject to change without notice.