

MARINA VESSEL

Cat. No.
LFDF



Above-Counter Basin



Basin Diameter: 17 1/2"

Base Diameter: 11"

***Please do NOT drill hole without
template or actual product.**

Interior Dimensions:

Basin Interior: 14 3/4" x 14 3/4"

Basin Depth: 7 1/2"

Flange: 2 1/2" round X 2" deep

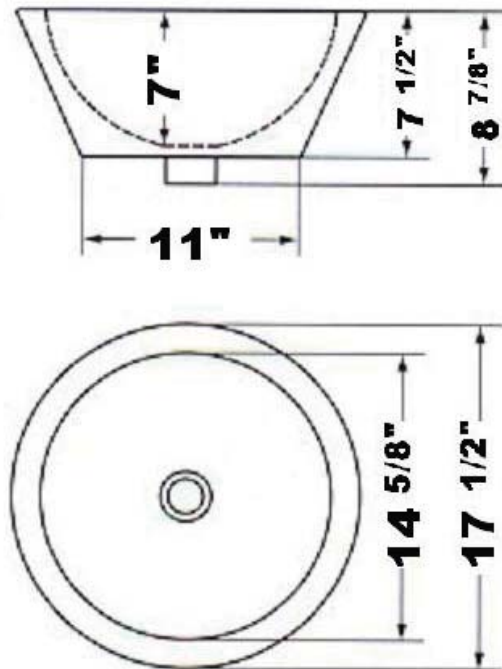
Features

- ▶ Made of Fine Fire Clay for Durability
- ▶ Contemporary Style
- ▶ No Overflow
- ▶ Cannot be Used with Vessel Faucet if Using SVPT or SBFF Porcelain Tops.

Colors:

WH White

Compliance Certification
Meets or exceeds the following specifications: ASME 112.19.9M for fine fire clay for durability.



Dimensions of fixture are nominal and may vary within the range of tolerances established by ANSI Standard A112.19.2. Dimensions and specifications subject to change without notice.