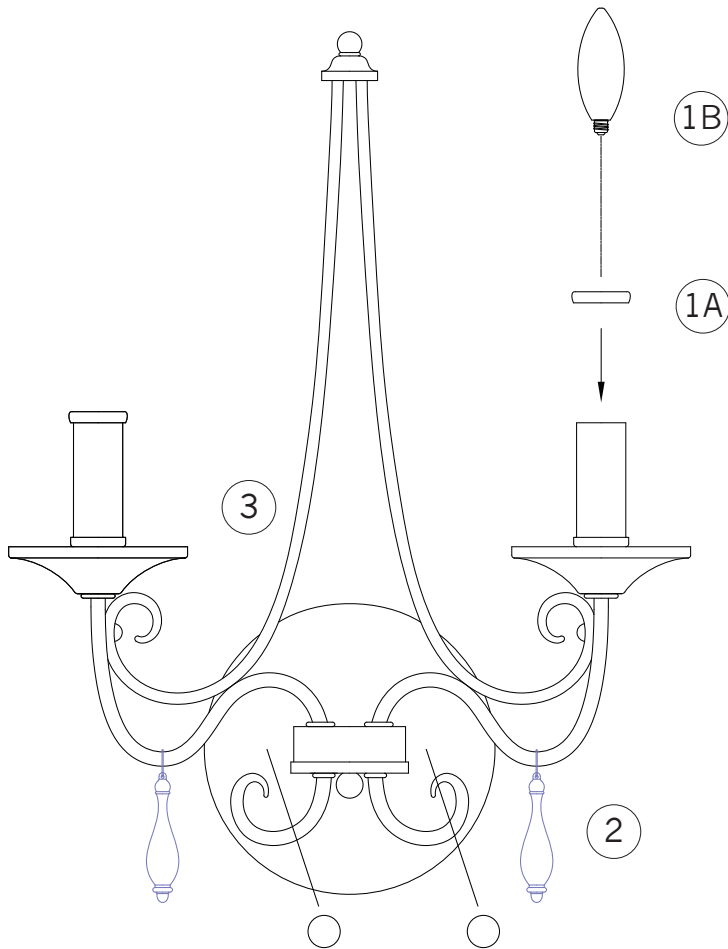


Assembly Instructions For **WB1590** (E) 5/2012



IMPORTANT
TURN OFF THE POWER AT THE MAIN FUSE
OR CIRCUIT BREAKER BOX
BEFORE STARTING INSTALLATION

Carefully unpack and identify all parts before assembly. Bulbs not included.

1. A. Install the candle follower onto the candle tube.
B. Install light bulb (not included). See relamping label at socket area for type and maximum allowed wattage.
2. Hang all decorative parts as shown on drawing.
NOTE: Replace broken drop or pin by gently bending open the pin, remove the broken drop or pin, hook the new one, then close back the pin. Avoid bending the pin into a sharp angle.
3. Follow enclosed supplement installation instructions for electrical and fixture installation onto house outlet box. If you do not have an outlet box at desired location to attach the fixture then hire a qualified electrician to create one.

FEISS[®]

EST. 1955