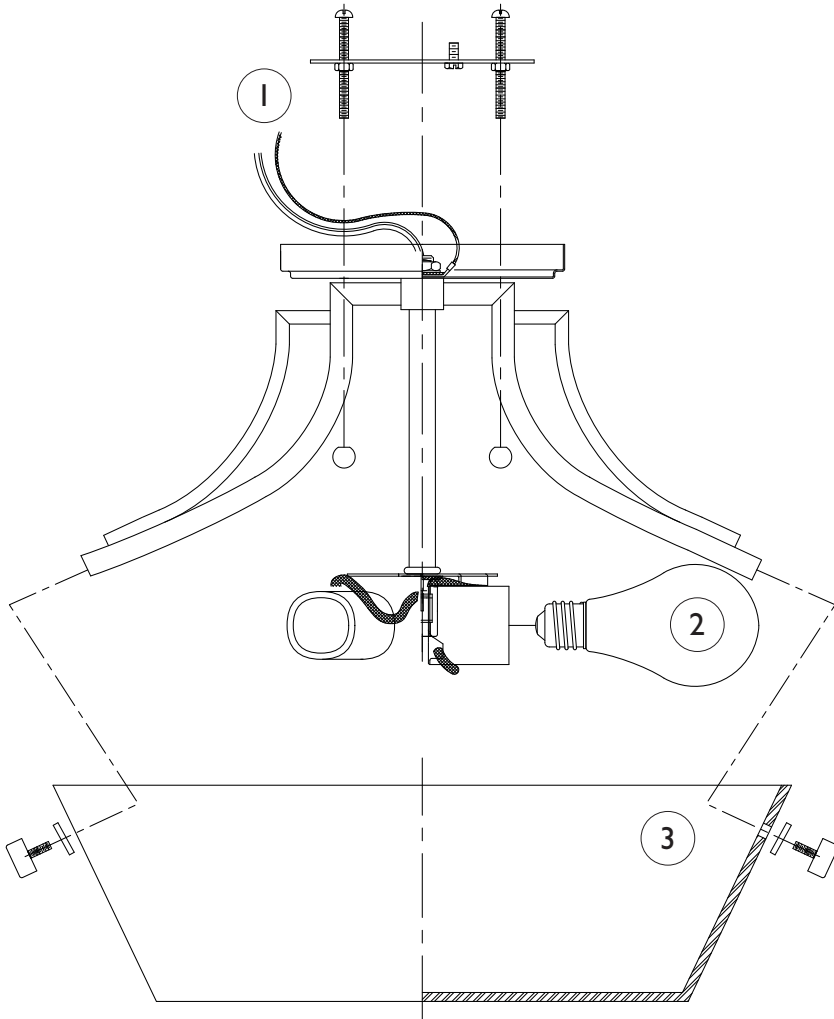


# Assembly Instructions For

# SF306

(E) 5/2012



**IMPORTANT**  
**TURN OFF THE POWER AT THE MAIN FUSE**  
**OR CIRCUIT BREAKER BOX**  
**BEFORE STARTING INSTALLATION**

Carefully unpack and identify all parts before assembly. Bulbs not included.

1. Follow enclosed supplement installation instructions for electrical and fixture installation onto house outlet box. If you do not have an outlet box at desired location to attach the fixture then hire a qualified electrician to create one.
2. Install light bulb (not included). See relamping label at socket area for type and maximum allowed wattage.
3. Install the shade onto the fixture arms and secure using the thumb screws and washers.