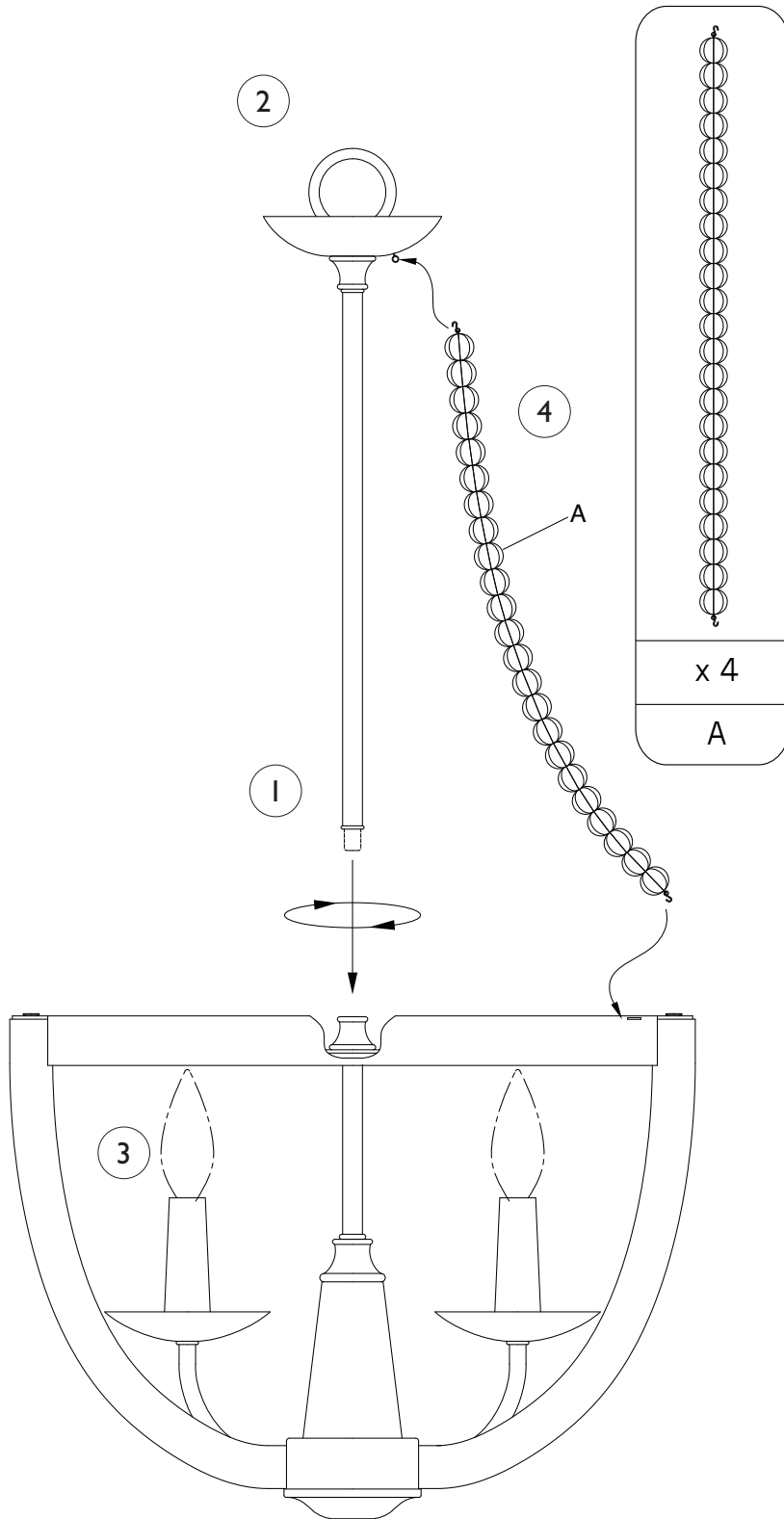


Assembly Instructions For

F2753/4

(E) 5/2012



IMPORTANT TURN OFF THE POWER AT THE MAIN FUSE OR CIRCUIT BREAKER BOX BEFORE STARTING INSTALLATION

Carefully unpack and identify all parts before assembly. Bulb not included.

1. Install the center pipe onto the top of the socket assembly.
2. Follow enclosed supplement installation instructions for electrical and fixture installation onto house outlet box. If you do not have an outlet box at desired location to attach the fixture then hire a qualified electrician to create one.
3. Install light bulb (not included). See relamping label at socket area for type and maximum allowed wattage.
4. Hang all crystal glass parts as shown on drawing.

NOTE: Replace broken drop or pin by gently bending open the pin, remove the broken drop or pin, hook new the one, then close back the pin. Avoid bending the pin into a sharp angle.

FEISS®

EST. 1955