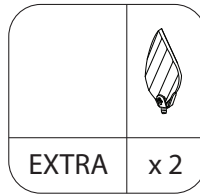
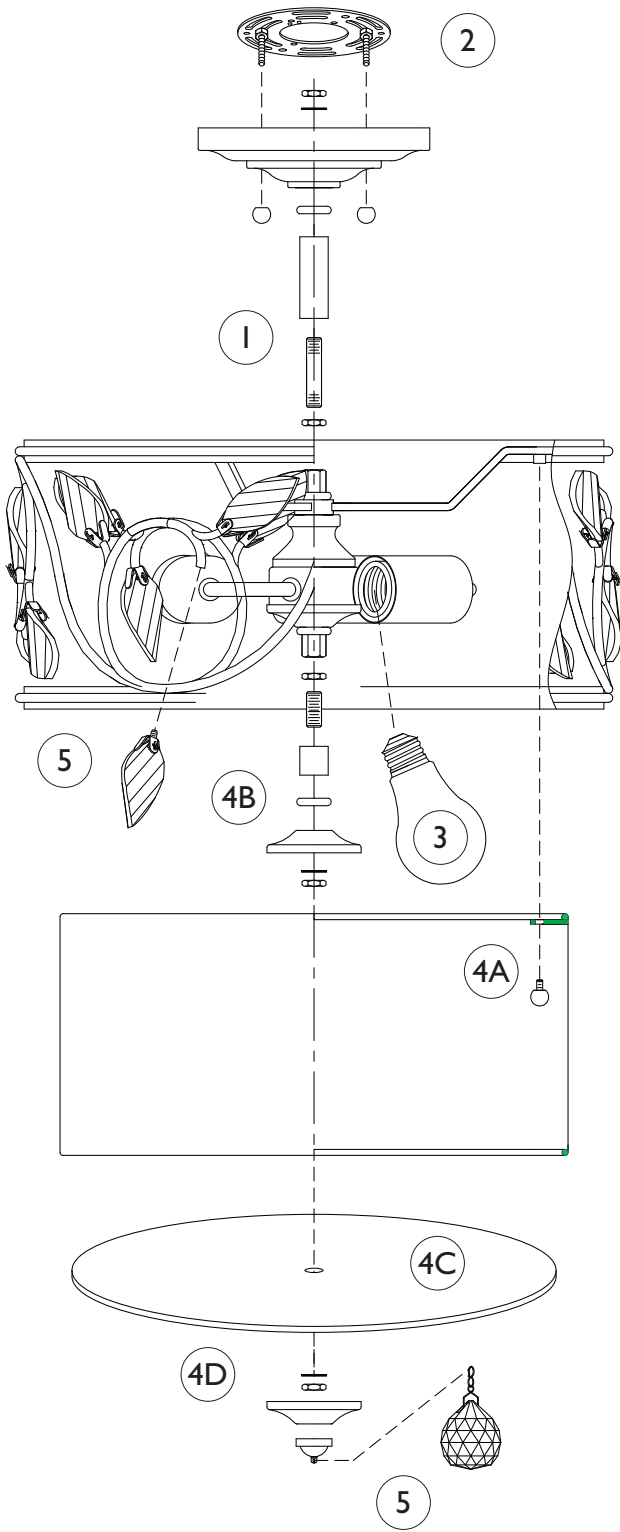


Assembly Instructions For

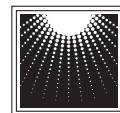
SF300 (E) 4/11



IMPORTANT
TURN OFF THE POWER AT THE MAIN FUSE OR
CIRCUIT BREAKER BOX
BEFORE STARTING INSTALLATION

Carefully unpack and identify all parts before assembly. Bulbs not included.

1. Install center column on top of socket assembly.
2. Follow enclosed supplement installation instructions for electrical and fixture installation onto house outlet box. If you do not have an outlet box at desired location to attach the fixture then hire a qualified electrician to create one.
3. Install light bulb (not included). See relamping label at socket area for type and maximum allowed wattage.
4. A. Place fabric shade into crown and secure with cap nut screws.
 B. Install top cover onto bottom coupler and secure with hex nut.
 C. Raise glass plate and slip through the installed threaded pipe. Then place cover below glass plate.
 D. Secure all by fastening with lock washer and finial.
IMPORTANT: DO NOT OVER TIGHTEN.
5. Hang all crystal glass parts as shown on drawing.
NOTE: To replace broken crystal, extras are included in hardware bag.



MURRAY
FEISS

GENERATION
 BRANDS 