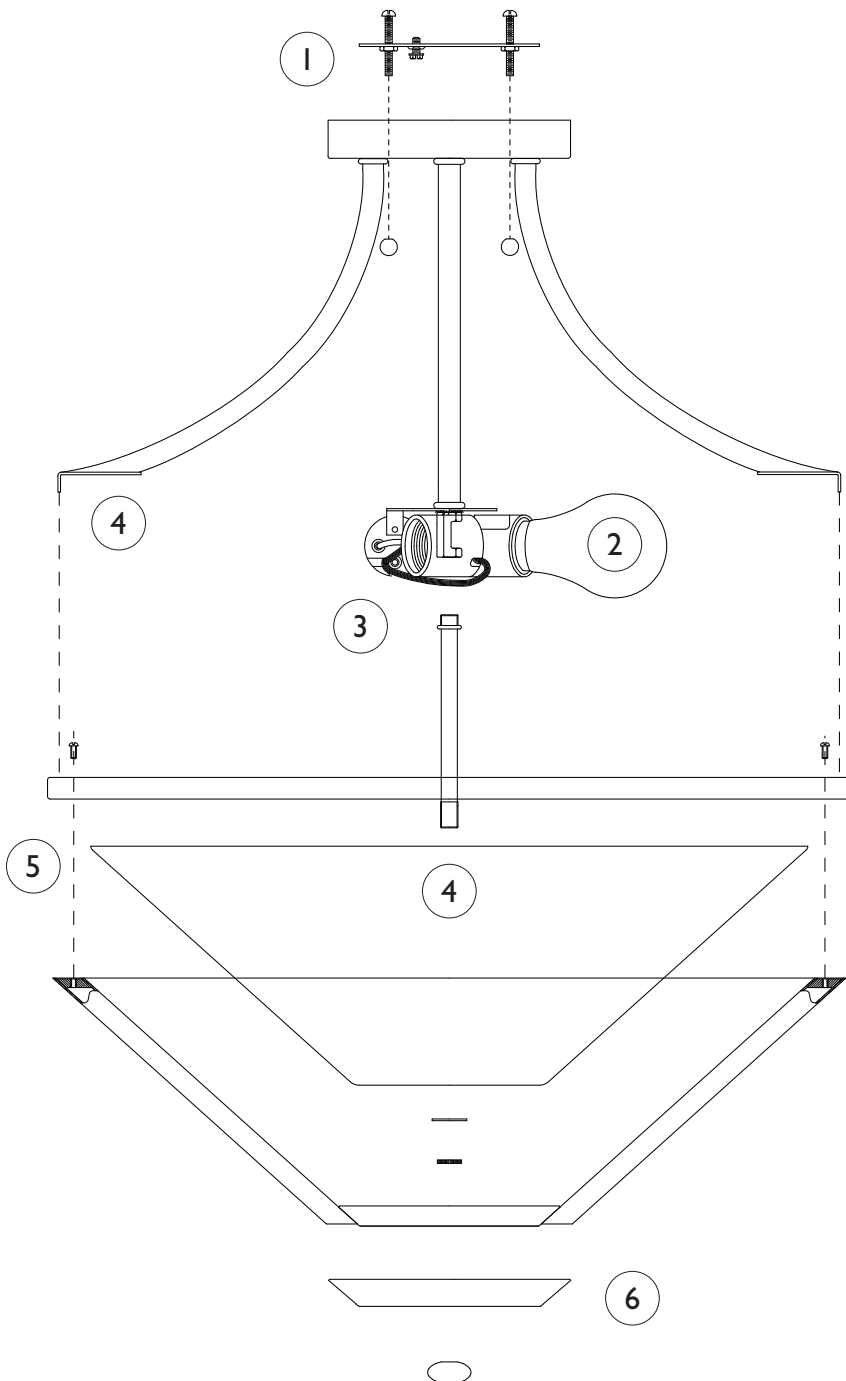


Assembly Instructions For

SF296

(E) 6/2012



IMPORTANT
TURN OFF THE POWER AT THE MAIN FUSE
OR CIRCUIT BREAKER BOX
BEFORE STARTING INSTALLATION

Carefully unpack and identify all parts before assembly. Bulbs not included.

1. Follow enclosed supplement installation instructions for electrical and fixture installation onto house outlet box. If you do not have an outlet box at desired location to attach the fixture then hire a qualified electrician to create one.
2. Install light bulb (not included). See relamping label at socket area for type and maximum allowed wattage.
3. Screw the long threaded pipe into coupler located at bottom of socket assembly. Note correct position of threaded pipe on illustration.
4. Place the metal ring onto the glass. Then slip the glass through the threaded pipe until the metal ring securely checks into the bottom of the arms. Then secure into position by fastening the washer and the knurled nut onto the bottom of the threaded pipe.
5. Slip the metal frame up until it checks into the bottom of the metal ring. Then lock into position using the screws.
6. Install notched cover by fastening with finial.

FEISS[®]

EST. 1955