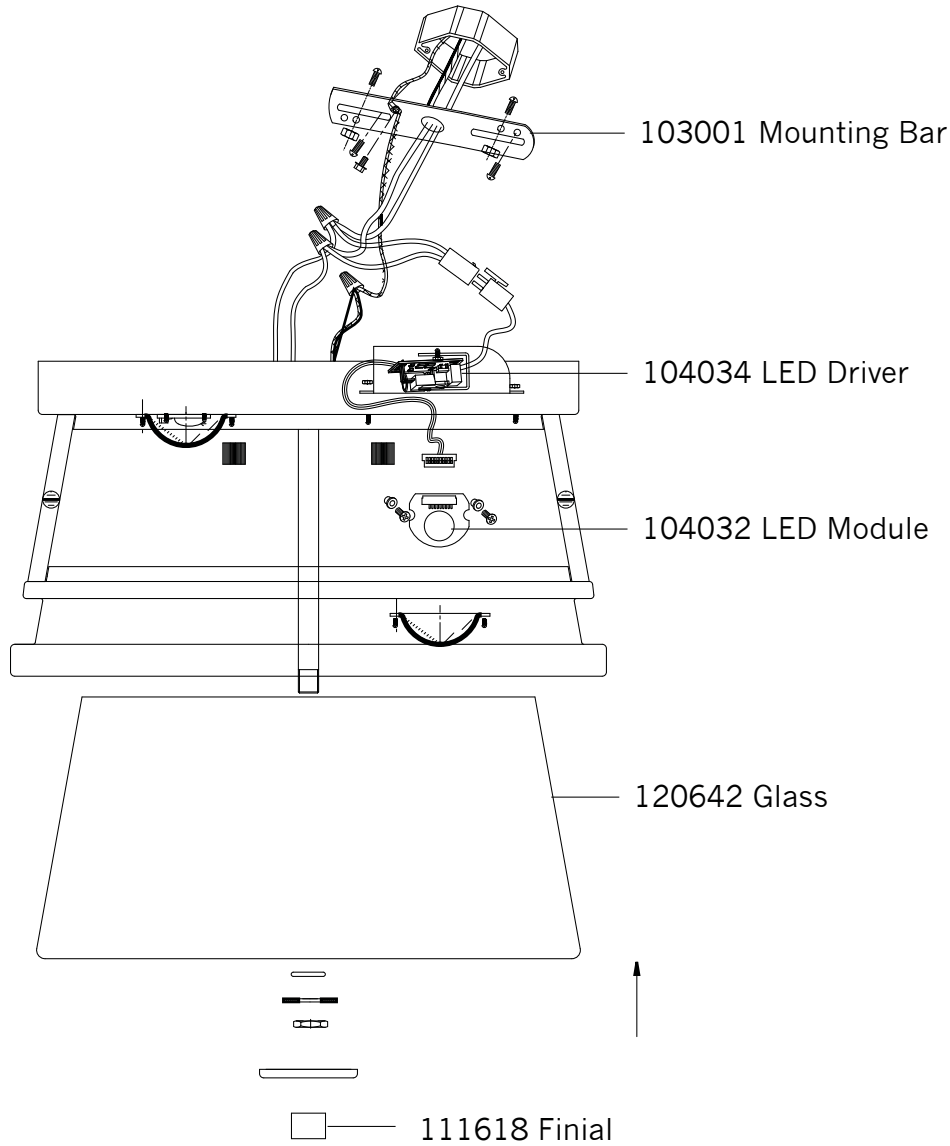


# Replacement Parts For **OL8213** 3/2012



Qty.	Part #	Description
	103001	Mounting Bar
	120642	Glass
	111618	Finial
	104032	LED Module
	104034	LED Driver