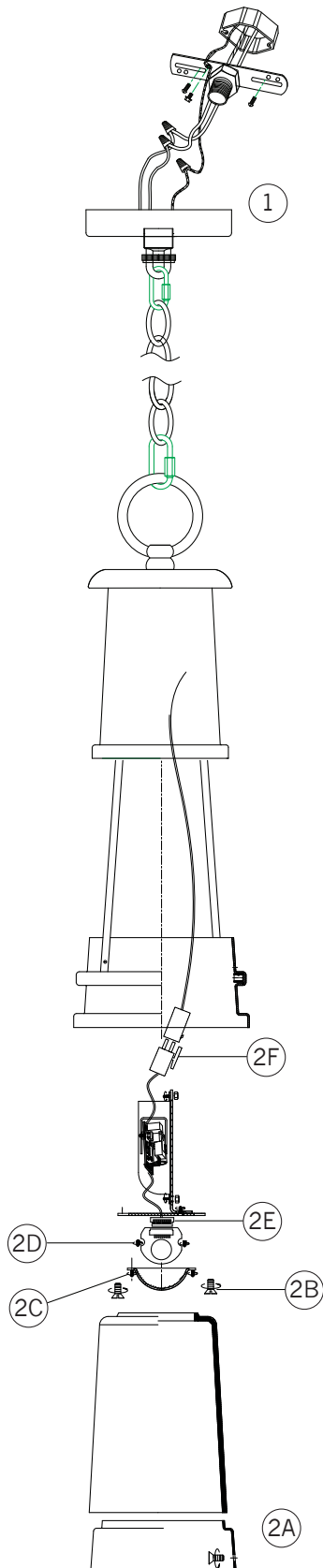


# Assembly Instructions For **OL8211** (E) 12/11



**IMPORTANT**  
**TURN OFF THE POWER AT THE MAIN FUSE**  
**OR CIRCUIT BREAKER BOX**  
**BEFORE STARTING INSTALLATION**

Carefully unpack and identify all parts before assembly.

1. Follow enclosed supplement installation instructions for electrical and fixture installation onto house outlet box. If you do not have an outlet box at desired location to attach the fixture then hire a qualified electrician to create one.
2. LED bulb and driver replacement:
  - A. Unscrew the 3 screws from the cap and remove the cap and glass.
  - B. Unscrew the 2 screws from the LED panel and carefully pull down the LED panel.
  - C. Unscrew the 3 screws for the lens and remove the lens.
  - D. Unscrew the 2 screws from the LED bulb housing and remove LED bulb.
  - E. Unplug the connection marked 2E and replace with a new LED bulb.
  - F. Unplug the connections marked 2E & 2F and replace with a new driver.