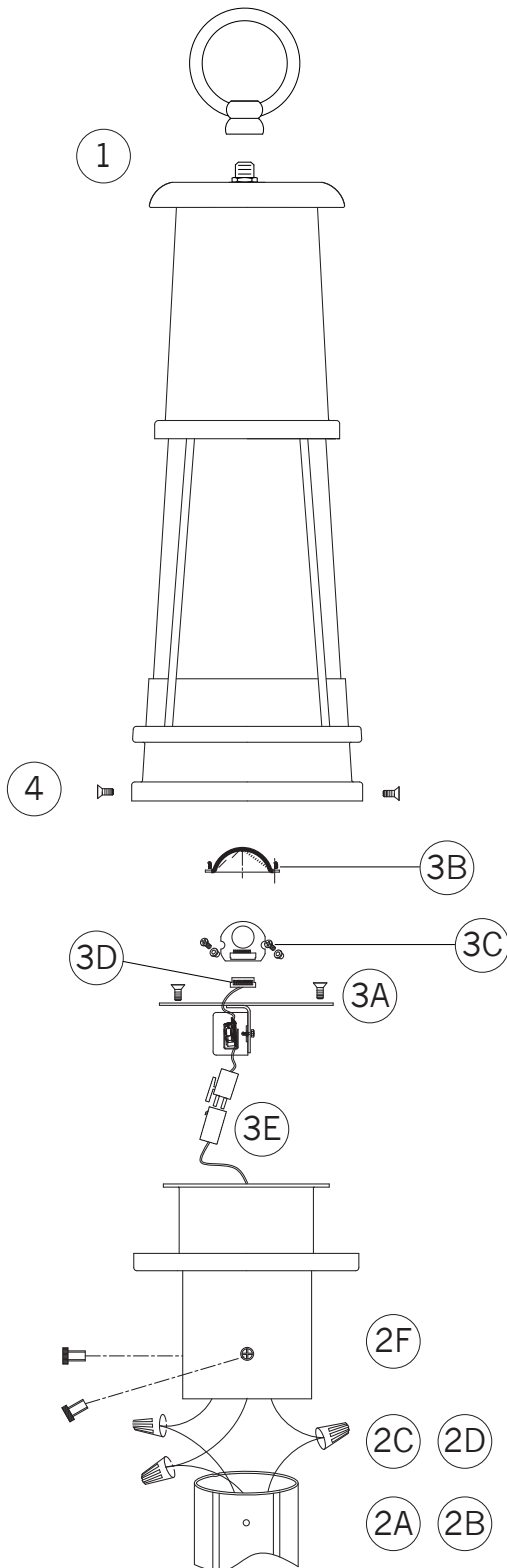


Assembly Instructions For

OL8208 (E) 12/11



IMPORTANT

TURN OFF THE POWER AT THE MAIN FUSE OR CIRCUIT BREAKER BOX BEFORE STARTING INSTALLATION

Carefully unpack and identify all parts before assembly. Bulb not included.

1. Install the fixture loop onto the top of the fixture.
2. Electrical installation onto post (not supplied): If you are replacing an existing fixture, disconnect and remove the old fixture.
 - A) Slip post cup over post. Mark position of holes in post cup on post.
 - B) Remove post cup and expose the supply wiring from above post. Drill and tap a screw hole for the provided screw.
 - C) Connect white fixture wire to white supply wire from post with wire connector. Connect black fixture wire to black supply wire from post with wire connector.
NOTE: Black wire from post may be red, round and smooth and/or have copper conductor. White wire from post may be square and ridged and/or have a silver conductor.
 - D) Connect fixture ground wire (without plastic insulation) to ground wire from post (usually with green insulation) with wire connector.
IMPORTANT: Never connect ground wire to black or white supply wires.
 - E) Tuck all wires inside of post.
 - F) Slip post cup onto post. Align holes in post cup with holes in post. Secure them together by fastening with machine screws (enclosed).
3. LED bulb and driver replacement:
 - A. Unscrew the 2 screws from the LED panel and carefully pull down the LED panel.
 - B. Unscrew the 3 screws for the lens and remove the lens.
 - C. Unscrew the 2 screws from the LED bulb housing and remove LED bulb.
 - D. Unplug the connection marked 3D and replace with a new LED bulb.
 - E. Unplug the connections marked 3D & 3E and replace with a new driver.
4. Install the bottom cover onto the main frame and fasten with screws.