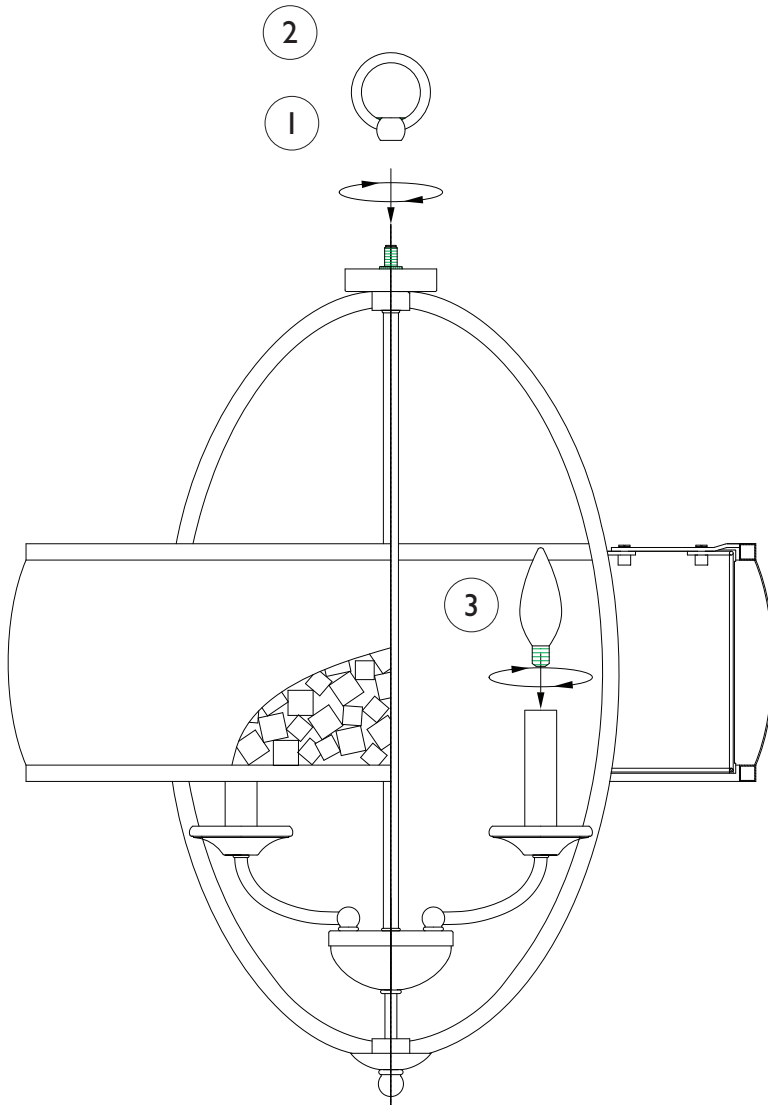


# Assembly Instructions For

# **F2736/4**

(E) 11/11



## **IMPORTANT**

### **TURN OFF THE POWER AT THE MAIN FUSE OR CIRCUIT BREAKER BOX BEFORE STARTING INSTALLATION**

Carefully unpack and identify all parts before assembly. Bulbs not included.

1. Install the fixture loop onto the top of the fixture.
2. Follow enclosed supplement installation instructions for electrical and fixture installation onto house outlet box. If you do not have an outlet box at desired location to attach the fixture then hire a qualified electrician to create one.
3. Install type-B, candelabra base, of 60 Watt maximum bulbs (not included).