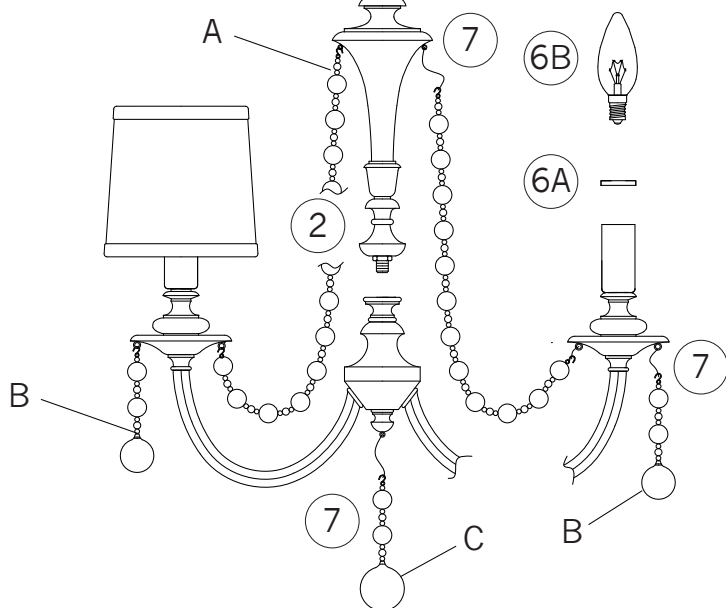
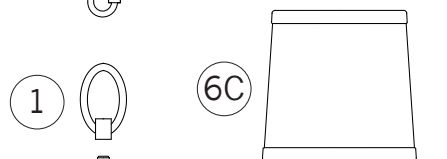
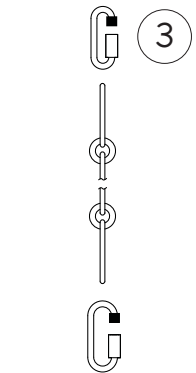
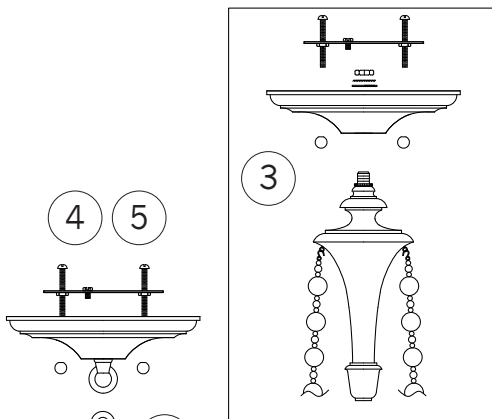


Assembly Instructions For

F2723/3 (E) 12/11

EXTRA	x2	x2	x5	x1	x1	x1	x1
	x3			x3			x1
	A			B			C

EXTRA	x2	x2	x5	x1	x1	x1	x1



IMPORTANT

TURN OFF THE POWER AT THE MAIN FUSE OR CIRCUIT BREAKER BOX BEFORE STARTING INSTALLATION

Carefully unpack and identify all parts before assembly. Bulbs not included.

1. Install the fixture loop onto the top of the fixture.
2. Install the top column onto the top of the fixture.
3. This fixture can be mounted onto ceiling either as chain hung or flush mount:

CHAIN HUNG INSTALLATION:

- A. Take fixture wire (with plastic insulation) and ground wire and thread through fixture loop. Then install loop onto threaded pipe located at top of fixture.
- B. This fixture is supplied with 2 threaded chain links. These links are opened and closed by twisting cylinder on chain link. One threaded chain link should be installed onto canopy loop and the other should be installed onto fixture loop. The standard chain should be installed in between these 2 threaded chain links.
- C. Determine the desired length of chain to hang. Remove any unwanted links with chain plier.
- D. Take ground wire and weave through above chain links, then thread through center hole in canopy loop. Repeat with fixture wire (wire with plastic insulation).

FLUSH MOUNT INSTALLATION:

- A. Remove and discard canopy loop and threaded pipe from fixture plate.
 - B. Thread ground wire and fixture wire through fixture plate, lock washer, and hex nut. Lock all together on top of fixture by tightening hex nut onto threaded pipe.
4. Cut excess wires leaving only 6" (15cm) length of wires above canopy. Split fixture wire into two strands. Then strip off 3/4" (19mm) of outer plastic insulation.
 5. Follow enclosed supplement installation instructions for electrical and fixture installation onto house outlet box. If you do not have an outlet box at desired location to attach the fixture then hire a qualified electrician to create one.
 6. A. Slip candle follower on top of candle tubes.
B. Install light bulb (not included). See relamping label at socket area for type and maximum allowed wattage.
C. Install the shade onto the bulb.
 7. Hang all crystal glass parts as shown on drawing.
NOTE: To replace broken crystal or pin, extras are included in hardware bag. Replace by gently bending open pin, remove broken crystal or pin, hook new one, then close back pin. Avoid bending pin into sharp angle.