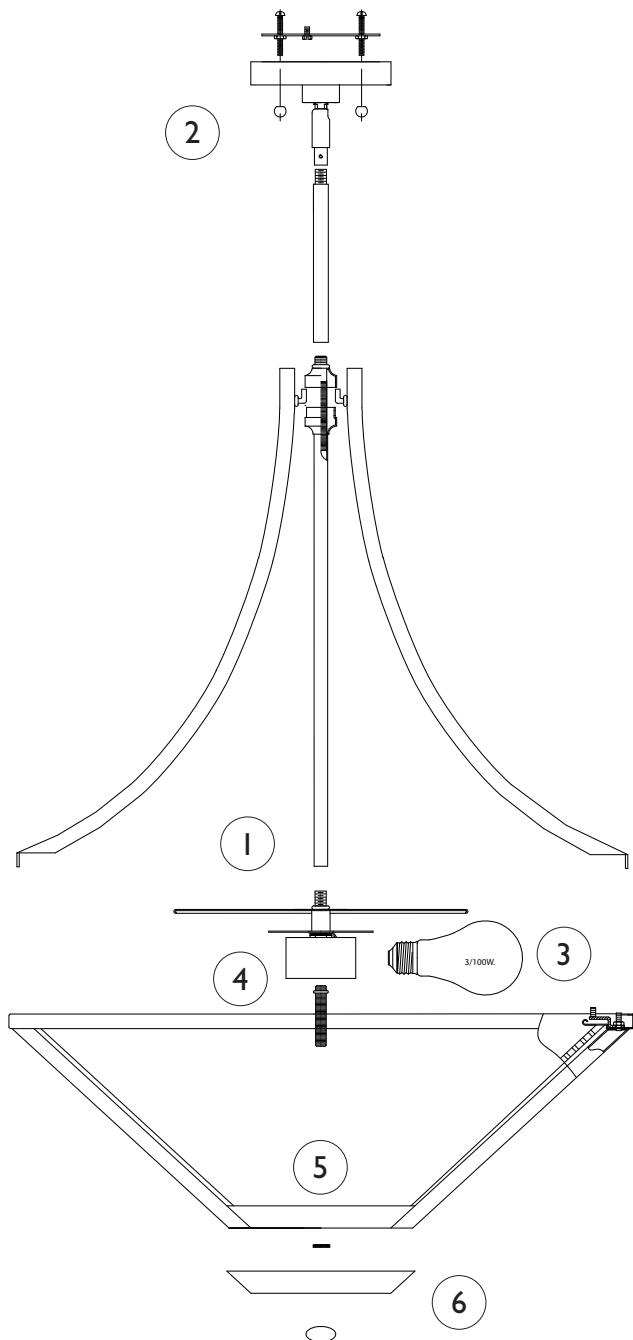
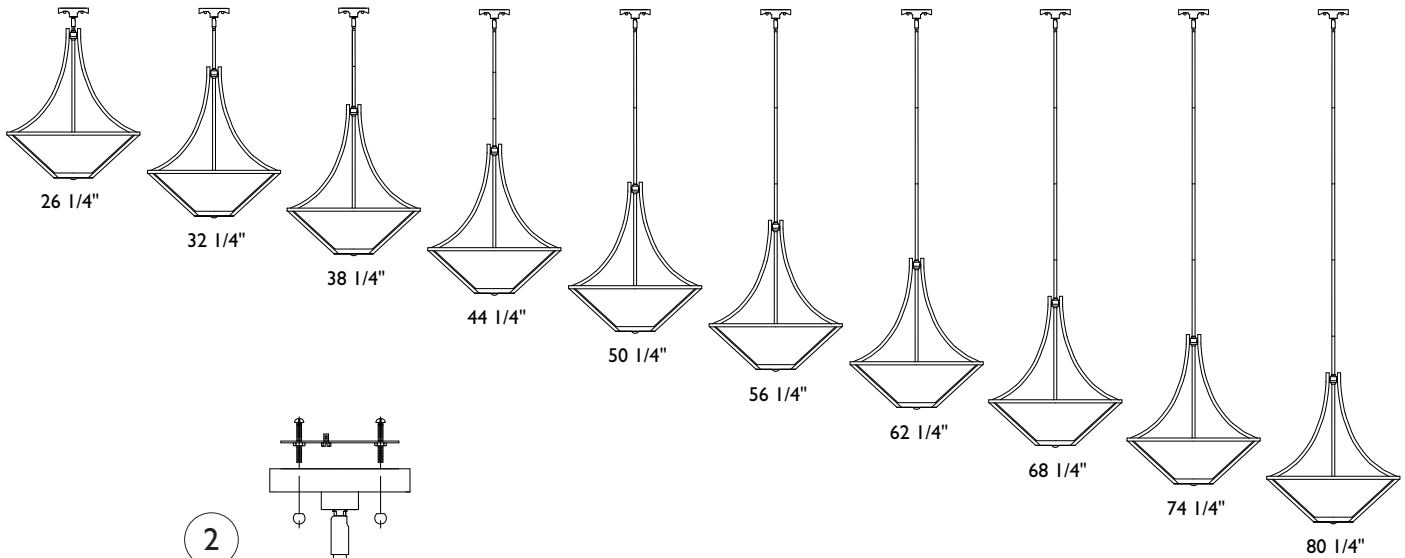


Assembly Instructions For

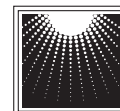
F2673/3 (E) 5/11



IMPORTANT
TURN OFF THE POWER AT THE MAIN
FUSE OR CIRCUIT BREAKER BOX
BEFORE STARTING INSTALLATION

Carefully unpack and identify all parts before assembly. Bulbs not included.

1. Install socket assembly onto center pipe.
2. Follow enclosed supplement installation instructions for electrical and fixture installation onto house outlet box. If you do not have an outlet box at desired location to attach the fixture then hire a qualified electrician to create one.
3. Install light bulb (not included). See relamping label at socket area for type and maximum allowed wattage.
4. Screw the long threaded pipe into coupler located at bottom of socket assembly. Note correct position of threaded pipe at illustration.
5. Slip shade through the threaded pipe until it securely checks into bottom of crown. Then secure into position by fastening with knurled nut.
6. Install notched cover by fastening with finial.



MURRAY
FEISS

GENERATION
 BRANDS™