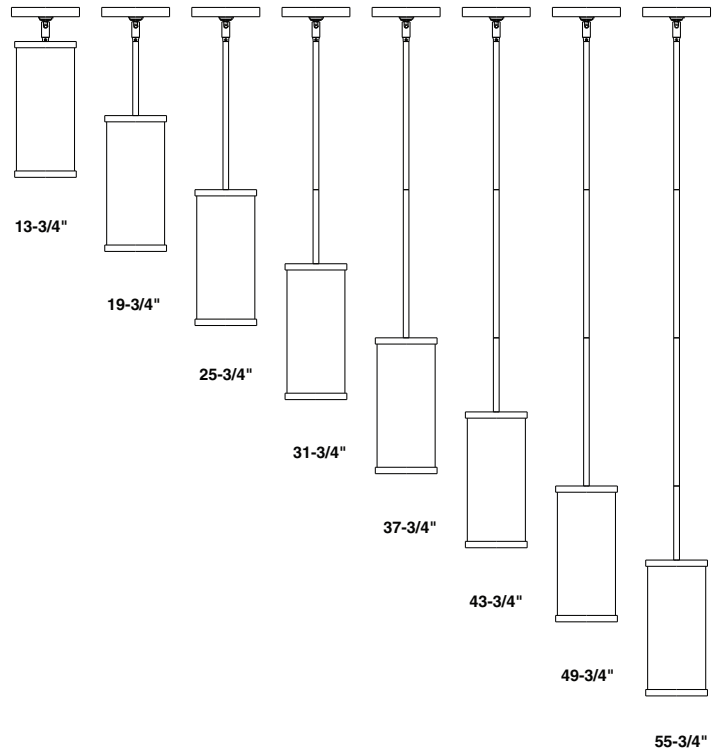
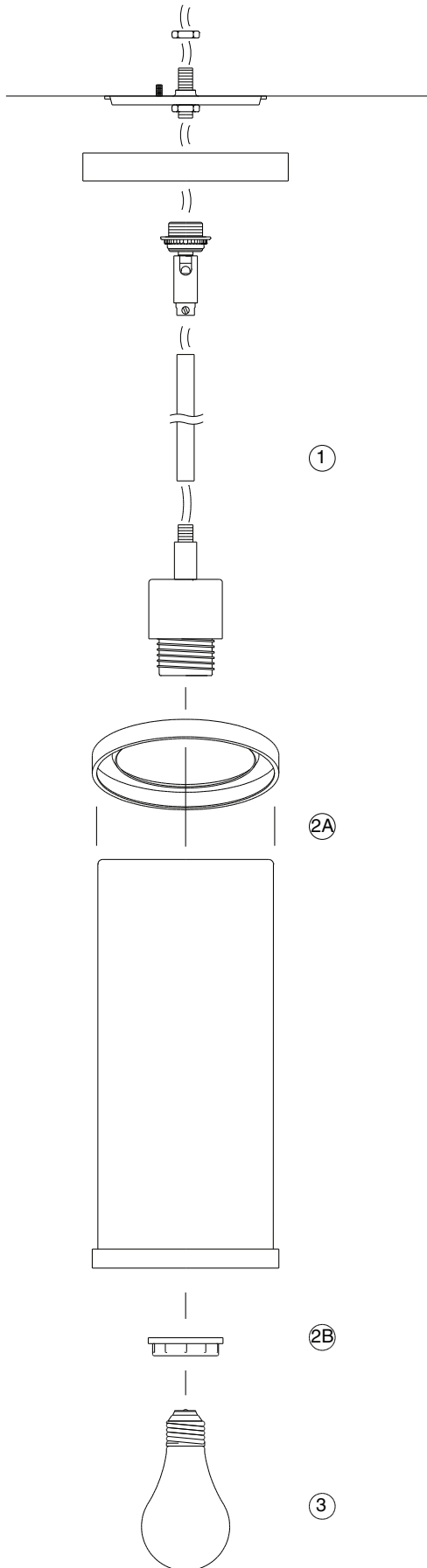


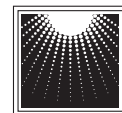
Assembly Instructions For P1201 (E) 10/09



**IMPORTANT
TURN OFF THE POWER AT THE MAIN FUSE OR
CIRCUIT BREAKER BOX
BEFORE STARTING INSTALLATION**

Carefully unpack and identify all parts before assembly. Bulb not included.

1. Follow enclosed supplement installation instructions for electrical and fixture installation onto house outlet box. If you do not have an outlet box at desired location to attach the fixture then hire a qualified electrician to create one.
2. A. Sit ring on top of shade.
B. Install shade onto fitter by fastening with counter ring.
3. Install bulb (not included). See relamping label located at socket area for type and maximum allowed wattage.



**MURRAY
FEISS**

GENERATION
BRANDS™