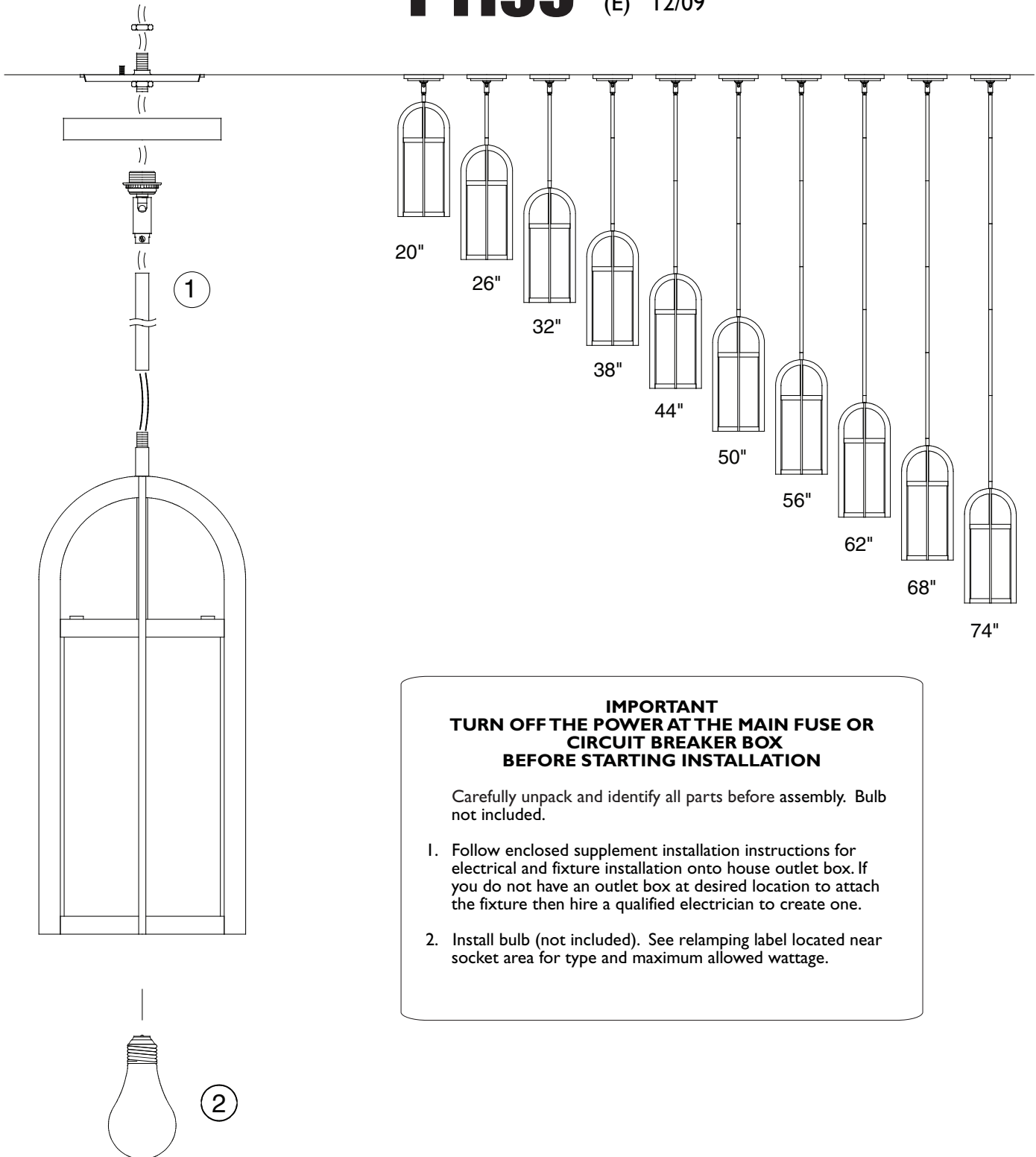


# Assembly Instructions For

# P1199

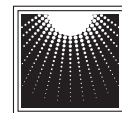
(E) 12/09



**IMPORTANT  
TURN OFF THE POWER AT THE MAIN FUSE OR  
CIRCUIT BREAKER BOX  
BEFORE STARTING INSTALLATION**

Carefully unpack and identify all parts before assembly. Bulb not included.

1. Follow enclosed supplement installation instructions for electrical and fixture installation onto house outlet box. If you do not have an outlet box at desired location to attach the fixture then hire a qualified electrician to create one.
2. Install bulb (not included). See relamping label located near socket area for type and maximum allowed wattage.



**MURRAY  
FEISS**

GENERATION  
BRANDS™ 